

SYDNEY A [V-02] [PKB 8mm]

SYDNEY A CLEAR [V-02] [PK 4mm]

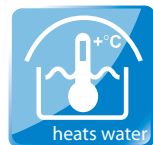
SYDNEY AS [V-01] [PKB 8mm]

SYDNEY AS CLEAR [V-01] [PK 4mm]

BOX



VERZE: 05.10.2023 / REVIZE: 05.10.2023



BG
 Използването на басейнната яка е предназначено за използване в ANCOB - NF P 90-309.
 Застава за монтаж трябва да бъде извършена във вентилационна отвор на вентилационна конструкция преди да е извършен монтажът.

CZ
 Bazénové zastrešenie: lena konštrukcia v súlade s ANCOB - NF P 90-309.
 Montáž na stavbu musí byť vykonaná pred začatím zariadenia pomocou špeciálnych nástrojov.

DE
 Schwimmbadüberdachung: lena konstrukcija u skladu sa ANCOB - NF P 90-309.
 Začetek pri montáži musí byť vykonaný pomocou špeciálnych nástrojov.

DK
 Bæskovrdsdækning: lena konstrukcija i overensstemmelse med ANCOB - NF P 90-309.
 Opstart af arbejdet skal ske i henhold til specifikke krav til brug af specielle værktøjer.

ES
 Cubierta de piscinas: lena konstrukcija u skladu sa ANCOB - NF P 90-309.
 Començament de l'obra s'ha de fer amb els eines i els mètodes que s'han especificat per al projecte.

EE
 Basseinikattide: lena konstrukcija vastavõttes ANCOB - NF P 90-309.
 Töö algust tuleb teha vastavalt spetsiaalsetele nõuetele, mis on määratud tööjuhendis.

FR
 Hors de piscine: construction rigide conforme à norme ANCOB - NF P 90-309.
 L'entretien de cette structure a posteriori est obligatoire pour le propriétaire.

GB
 The swimming pool enclosure: lena konstrukcija u skladu sa ANCOB - NF P 90-309.
 The enclosure must comply with the terms of adjacent enclosure law to be secured by owner.

HU
 Medencefedélzetek: lena konstrukcija u skladu sa ANCOB - NF P 90-309.
 A fedélzet elhelyezését a felépítéskor a munkaterv szerinti elhelyezéssel kell biztosítani.

HR
 Nadstrešnice bazena: lena konstrukcija u skladu sa ANCOB - NF P 90-309.
 Održavanje nadstrešnice i sustava grijanja u postroju gradnje mora biti osigurano od strane vlasnika.

CN
 游泳池 遮阳棚: lena konstrukcija u skladu sa ANCOB - NF P 90-309.
 遮阳棚的安装必须在施工过程中按照设计图纸的要求进行。

IT
 Copertura per piscine: lena konstrukcija u skladu sa ANCOB - NF P 90-309.
 Accanto alle norme vigenti, il proprietario deve assicurare che la struttura sia conforme alle norme vigenti.

LT
 Stogai viri bazenų: lena konstrukcija u skladu sa ANCOB - NF P 90-309.
 Tiesiogiai šiluminę energiją patalpa, ant kurios pastatytas stogas, per šilumą netransferuoja.

LV
 Bāzēnu jumti: lena konstrukcija u skladu sa ANCOB - NF P 90-309.
 Pirms uzstādīšanas ir jānodrošina, ka jumts ir atbilstoši drošības prasībām.

PL
 Zadaszkiwnie basenów: lena konstrukcija u skladu sa ANCOB - NF P 90-309.
 Instalacja musi być wykończona zgodnie z projektem.

RO
 Acoperire pentru piscine: lena konstrukcija u skladu sa ANCOB - NF P 90-309.
 Acoperirea trebuie să fie realizată în conformitate cu proiectul.

RU
 Надстройка для бассейнов: lena konstrukcija u skladu sa ANCOB - NF P 90-309.
 Работы по монтажу должны выполняться в соответствии с проектом.

SE
 Pooltak: lena konstrukcija i överensstämmelse med ANCOB - NF P 90-309.
 Tillagning av pooltak ska göras enligt projektdokumentation.

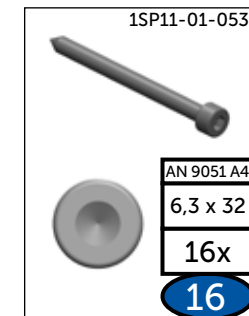
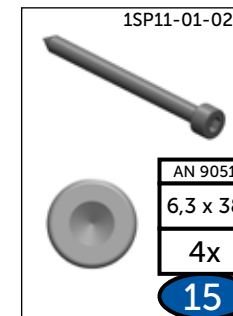
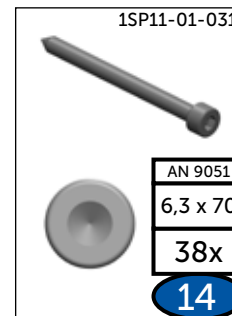
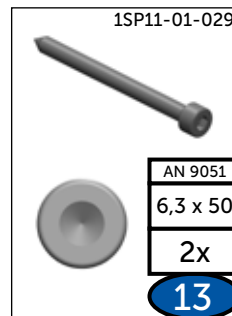
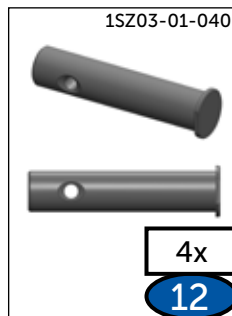
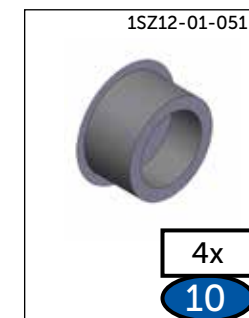
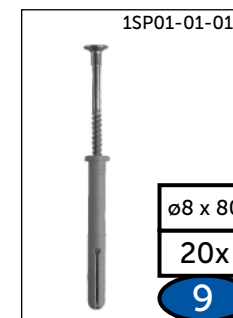
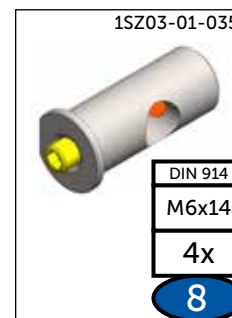
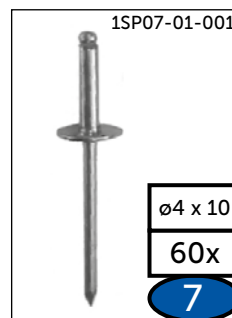
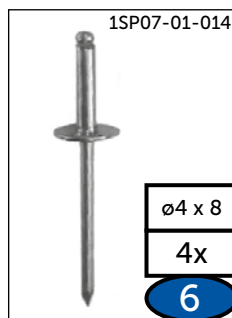
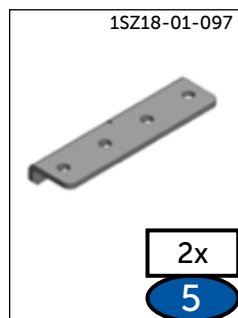
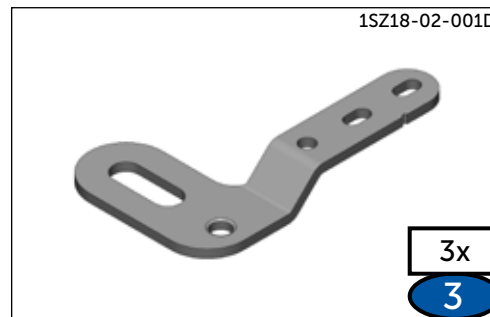
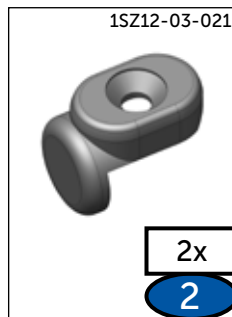
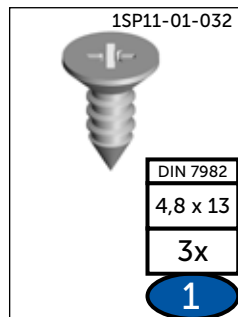
SL
 Nadstrešnice za bazene: lena konstrukcija u skladu sa ANCOB - NF P 90-309.
 Montaža mora biti izvršena prema projektu.

SK
 Bazénové zastrešenie: lena konstrukcija u skladu sa ANCOB - NF P 90-309.
 Práca musí byť vykonaná podľa projektu.



TYP	PRODUKT
KL	SYDNEY - kolej vlevo
	SYDNEY - Rails on the left side only
	SYDNEY - einseitige Schiene links
	SYDNEY - rail d'un seul coté à gauche
	SYDNEY - в исполнении с рельсами с одной стороны - налево

TYP	PRODUKT
KP	SYDNEY - kolej vpravo
	SYDNEY - Rails on the right side only
	SYDNEY - einseitige Schiene rechts
	SYDNEY - rail d'un seul coté à droit
	SYDNEY - в исполнении с рельсами с одной стороны - направо





1NA03-01-050

1x
17

1CH02-01-011
1SZ28-01-001

1x
18

1SZ01-02-007 1SP03-01-008 1SP11-01-010

a b c

7x 7x 21x

DIN 7982 TX
5,5x45

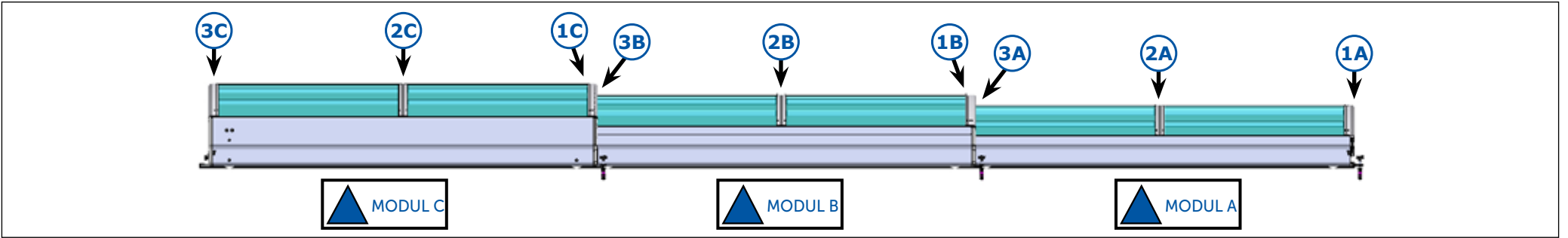
Pouze pro dřevěné a dřevoplastové podlahy
Only for wooden and wood-plastic floors
Nur für Holz- und Holz-Kunststoffböden
Uniquement pour les planchers en bois et en bois-plastique
Только для деревянных и древесно-пластиковых полов

2Z06-03-SD001

7x
19

2Z06-03-SD004

6x
KEY 3x
20



2Z12-01-SM008D - 1A
2Z12-01-SM009D - 2A
2Z12-01-SM010D - 3A

MODUL A	
1A	1x
2A	1x
3A	1x

21
22
23

2Z12-01-SM011D - 1B
2Z12-01-SM012D - 2B
2Z12-01-SM013D - 3B

MODUL B	
1B	1x
2B	1x
3B	1x

24
25
26



2Z12-01-SM014D - 1C	
2Z12-01-SM015D - 2C	
2Z12-01-SM016D - 3C	

MODUL C		
1C	1x	27
2C	1x	28
3C	1x	29

Sydney A/ Clear A 2Z04-01-SD001	1041 mm
Sydney AS/Clear AS 2Z04-01-SD004	906 mm

24x
36

Sydney A/ Clear A 2Z05-01-SD001	1041 mm
Sydney AS/Clear AS 2Z05-01-SD005	906 mm

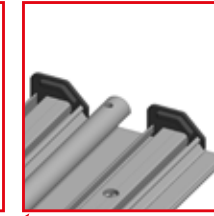
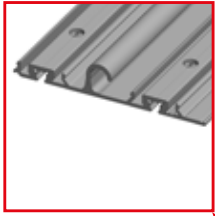
6x
37

2Z01-01-SD045

A
3230 mm
1x
40



2Z01-01-SD051 - Sydney A
2Z01-01-SD056 - Sydney AS



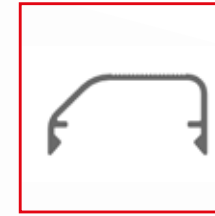
	D
Sydney A/ Clear A	3280 mm
Sydney AS/Clear AS	2470 mm
	1x
	42

2Z01-01-SD002



A
3230 mm
2x
43

2Z01-01-SD040 - Sydney A
2Z01-01-SD057 - Sydney AS



Sydney A/ Clear A	3280 mm
Sydney AS/Clear AS	2470 mm
	D
	2x
	44

MODUL A

2Z12-01-DP020



193 mm
1x
45

MODUL C

2Z12-01-DP018



314 mm
1x
46

MODUL A

2Z12-01-DP019



3549 mm
1x
47

MODUL C

2Z12-01-DP017



3829 mm
1x
48



MODUL C	OPTIONAL "KL" - STANDARD		<table border="1"> <tr> <td>Sydney A/ Clear A 2Z02-09-SR009</td> <td>2150 mm</td> </tr> <tr> <td>Sydney AS/Clear AS 2Z02-09-SR067</td> <td>1880 mm</td> </tr> </table>	Sydney A/ Clear A 2Z02-09-SR009	2150 mm	Sydney AS/Clear AS 2Z02-09-SR067	1880 mm
Sydney A/ Clear A 2Z02-09-SR009	2150 mm						
Sydney AS/Clear AS 2Z02-09-SR067	1880 mm						
			<table border="1"> <tr> <td>1x</td> </tr> <tr> <td>52</td> </tr> </table>	1x	52		
1x							
52							

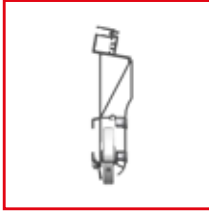

MODUL C	OPTIONAL "KL" - STANDARD		<table border="1"> <tr> <td>Sydney A/ Clear A 2Z02-09-SR010</td> <td>2150 mm</td> </tr> <tr> <td>Sydney AS/Clear AS 2Z02-09-SR068</td> <td>1880 mm</td> </tr> </table>	Sydney A/ Clear A 2Z02-09-SR010	2150 mm	Sydney AS/Clear AS 2Z02-09-SR068	1880 mm
Sydney A/ Clear A 2Z02-09-SR010	2150 mm						
Sydney AS/Clear AS 2Z02-09-SR068	1880 mm						
			<table border="1"> <tr> <td>1x</td> </tr> <tr> <td>53</td> </tr> </table>	1x	53		
1x							
53							

MODUL B	"KL" = "KP"		<table border="1"> <tr> <td>Sydney A/ Clear A 2Z02-09-SR003</td> <td>2150 mm</td> </tr> <tr> <td>Sydney AS/Clear AS 2Z02-09-SR013</td> <td>1880 mm</td> </tr> </table>	Sydney A/ Clear A 2Z02-09-SR003	2150 mm	Sydney AS/Clear AS 2Z02-09-SR013	1880 mm
Sydney A/ Clear A 2Z02-09-SR003	2150 mm						
Sydney AS/Clear AS 2Z02-09-SR013	1880 mm						
			<table border="1"> <tr> <td>1x</td> </tr> <tr> <td>54</td> </tr> </table>	1x	54		
1x							
54							



MODUL B

"KL" = "KP"



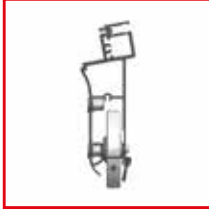

Sydney A/ Clear A 2Z02-09-SR004	2150 mm
Sydney AS/Clear AS 2Z02-09-SR014	1880 mm

1x

55

MODUL A

"KL" = "KP"



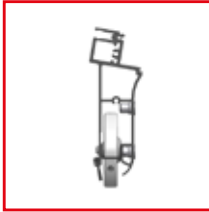

Sydney A/ Clear A 2Z02-09-SR001	2150 mm
Sydney AS/Clear AS 2Z02-09-SR011	1880 mm

1x

56

MODUL A

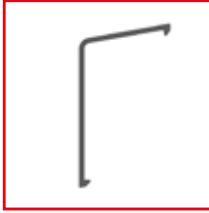
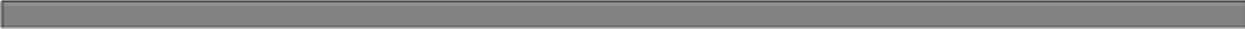
"KL" = "KP"



Sydney A/ Clear A 2Z02-09-SR002	2150 mm
Sydney AS/Clear AS 2Z02-09-SR012	1880 mm

1x

57



Sydney A/ Clear A 2Z02-09-SD027	2150 mm
Sydney AS/Clear AS 2Z02-09-SR028	1880 mm

6x

58



2Z12-01-DK010 - Sydney A
 2Z12-05-DK010 - Sydney A Clear
 2Z12-19-DK010 - Sydney AS
 2Z12-20-DK010 - Sydney AS Clear

Sydney A/ Clear A	1789 x 1050 mm
Sydney AS/Clear AS	1789 x 915 mm

OUT

MODUL A

4x

60

2Z12-01-DK011 - Sydney A
 2Z12-05-DK011 - Sydney A Clear
 2Z12-19-DK011 - Sydney AS
 2Z12-20-DK011 - Sydney AS Clear

Sydney A/ Clear A	1859 x 1050 mm
Sydney AS/Clear AS	1859 x 915 mm

OUT

MODUL B

4x

61

2Z12-01-DK012 - Sydney A
 2Z12-05-DK012 - Sydney A Clear
 2Z12-19-DK012 - Sydney AS
 2Z12-20-DK012 - Sydney AS Clear

Sydney A/ Clear A	1929 x 1050 mm
Sydney AS/Clear AS	1929 x 915 mm

OUT

MODUL C

4x

62

2Z12-01-DK003
 2Z12-01-DK004

MODUL A

2x

64

2Z12-09-DK001
 2Z12-09-DK002

MODUL C

2x

65

2Z12-01-DO009

MODUL A

2x

66

2Z12-01-DO008

MODUL C

2x

67



⚠ only SYDNEY CLEAR ⚠

2Z12-05-DO010 - Sydney A Clear
2Z12-20-DO010 - Sydney AS Clear



Sydney Clear A/AS	1789 mm
Sydney Clear A	1030 mm
Sydney Clear AS	915 mm

MODUL A

8x
68

2Z12-05-DO011 - Sydney A Clear
2Z12-20-DO011 - Sydney AS Clear

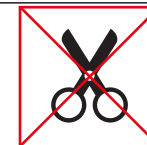


Sydney Clear A/AS	1859 mm
Sydney Clear A	1030 mm
Sydney Clear AS	915 mm

MODUL B

8x
69

2Z12-05-DO012 - Sydney A Clear
2Z12-20-DO012 - Sydney AS Clear



Sydney Clear A/AS	1929 mm
Sydney Clear A	1030 mm
Sydney Clear AS	915 mm

MODUL C


8x
70



MODUL A  2Z09-01-SD076 1x 72	MODUL A  2Z09-01-SD077 1x 73	MODUL A  2Z09-01-SD078 1x 74	MODUL A  2Z09-01-SD079 1x 75
MODUL B  2Z09-01-SD072 1x 76	MODUL B  2Z09-01-SD073 1x 77	MODUL B  2Z09-01-SD074 1x 78	MODUL B  2Z09-01-SD075 1x 79
MODUL C  2Z09-01-SD064 1x 80	MODUL C  2Z09-01-SD065 1x 81	MODUL C  2Z09-01-SD066 1x 82	MODUL C  2Z09-01-SD067 1x 83




2Z09-01-SD020



1x

88


2Z09-01-SD021



1x

89


2Z09-01-SD003



4x

90


1SP10-01-077



DIN 912
M 5x65
4x

91


1SP10-01-084



ISO 7380
M 6x20
8x

92


1SZ18-02-010



6x

93


1SZ18-02-012



12x

94


1SP11-01-049



AN 9051
4,8x60
18x

95


1SP10-01-078



DIN 912
M 6x65
12x

96


1SP10-01-082



DIN 912
M 6x100
12x

97


1SZ03-01-038



6x

98

1SZ03-01-030



12x

99

1SZ12-01-010



24x

100

2Z06-03-SD003



1x

102

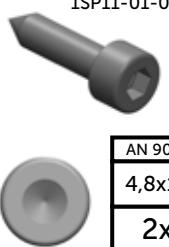
1SZ12-01-052



4x

104


1SP11-01-050



AN 9051
4,8x19
2x

105

1SZ04-01-019 1SZ04-01-026 1SP10-01-116 1SP08-01-015



A B C D


DIN 912
M8x20

DIN 440R
M8

2x

106


1SZ12-03-020



1x

107

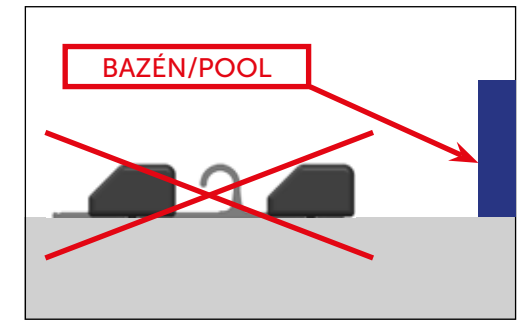
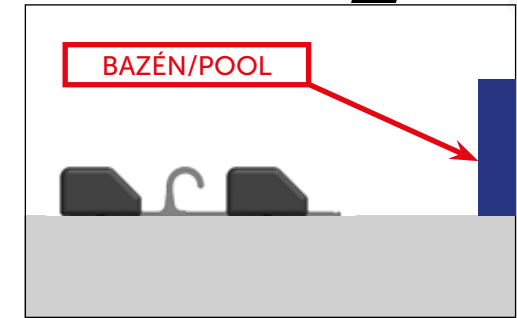
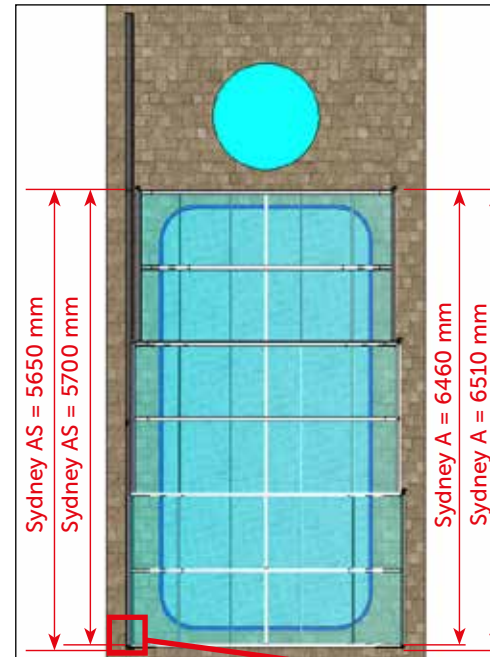
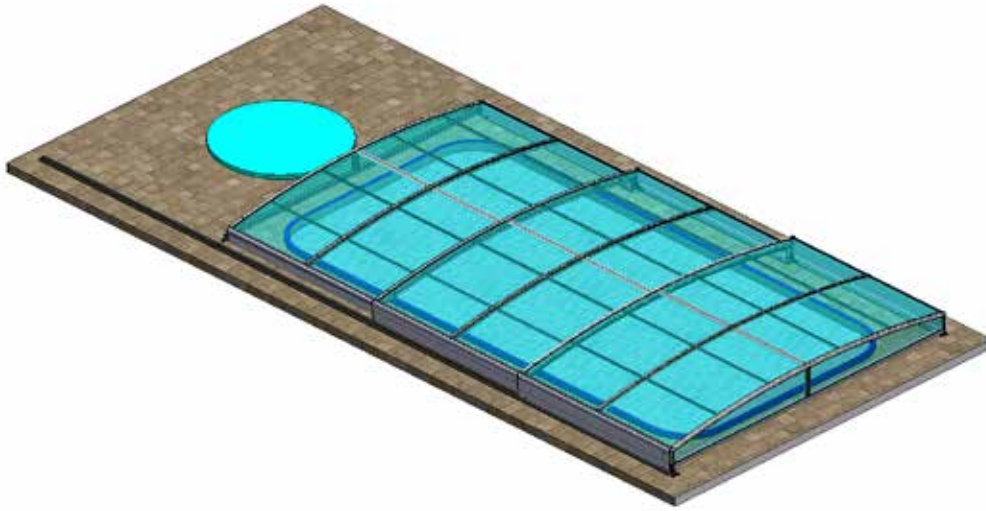
1SP10-01-025



DIN912
M6x25
8x

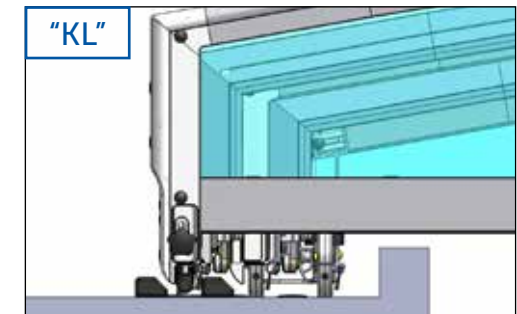
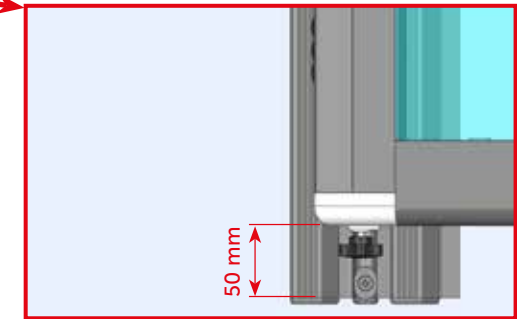
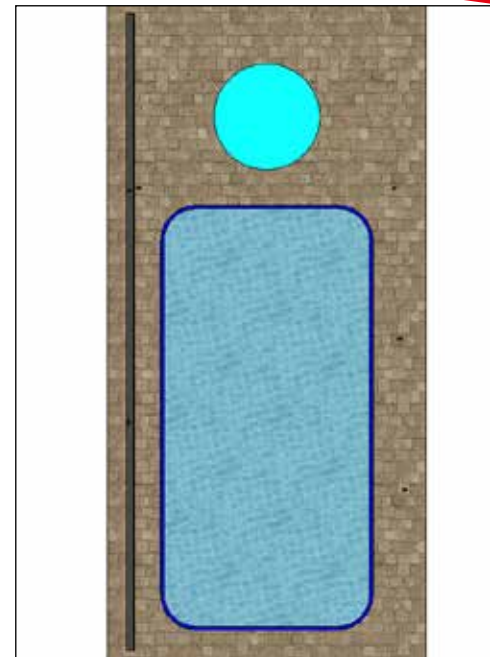
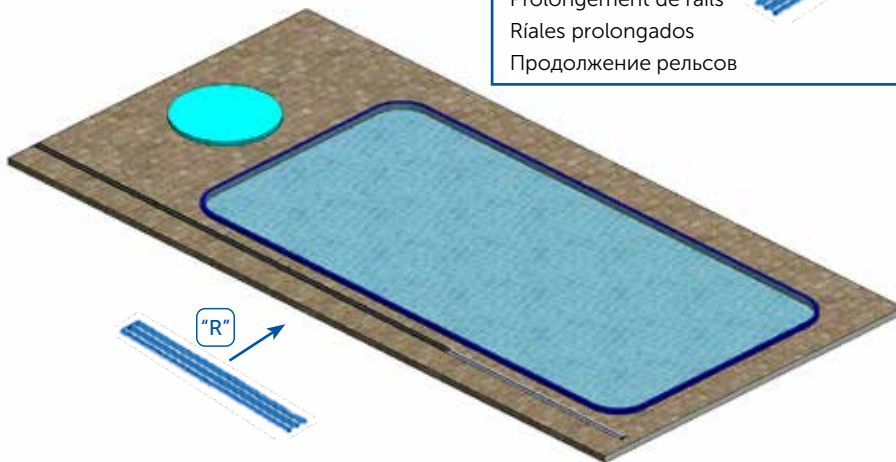
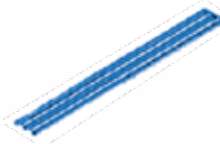
108

OPTIONAL "KL"

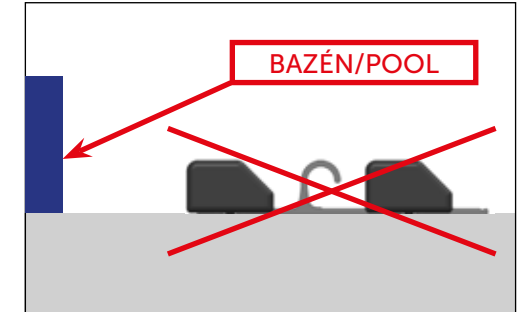
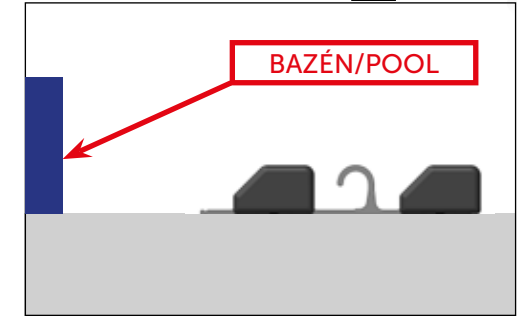
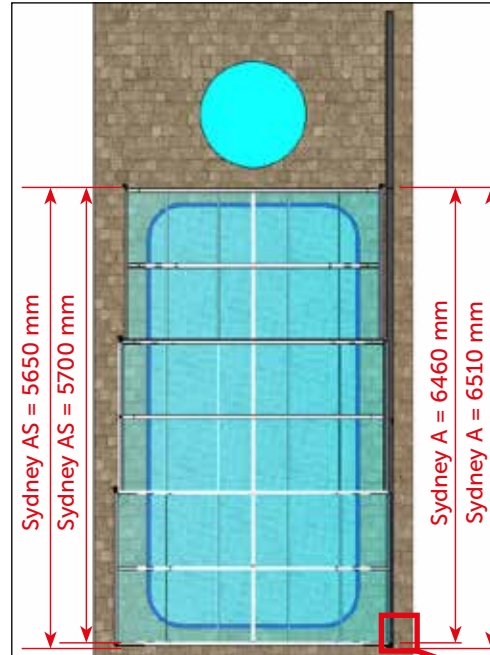
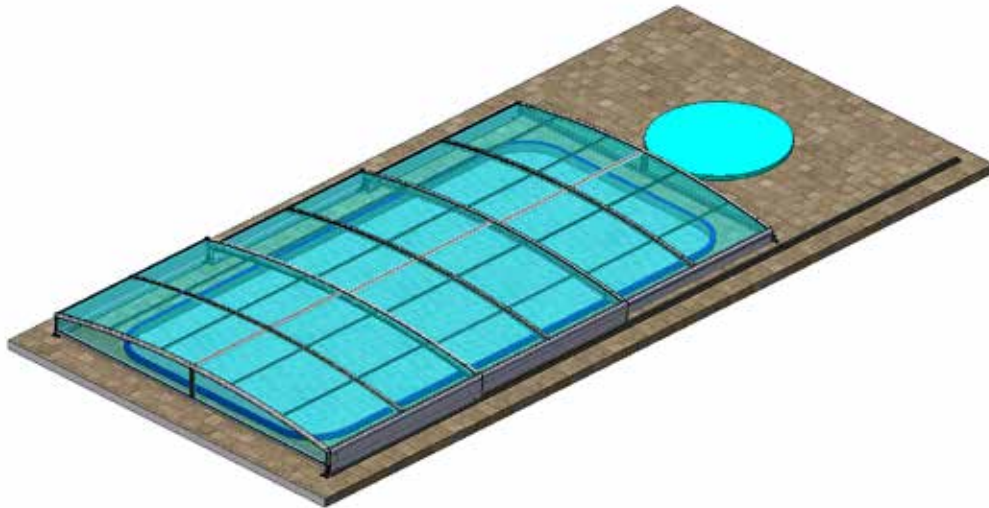


OPTIONAL "R"

- Prodoužení kolejí
- Rail extension
- Schienenverlängerung
- Prolongement de rails
- Riales prolongados
- Продолжение рельсов

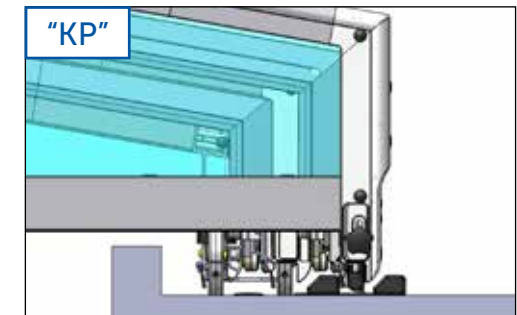
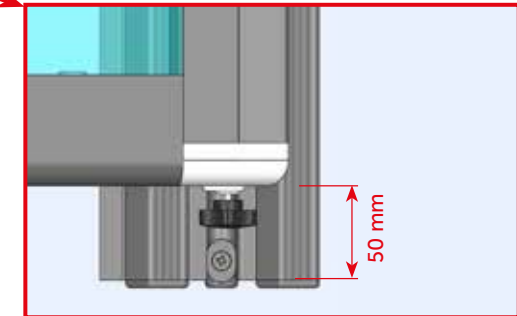
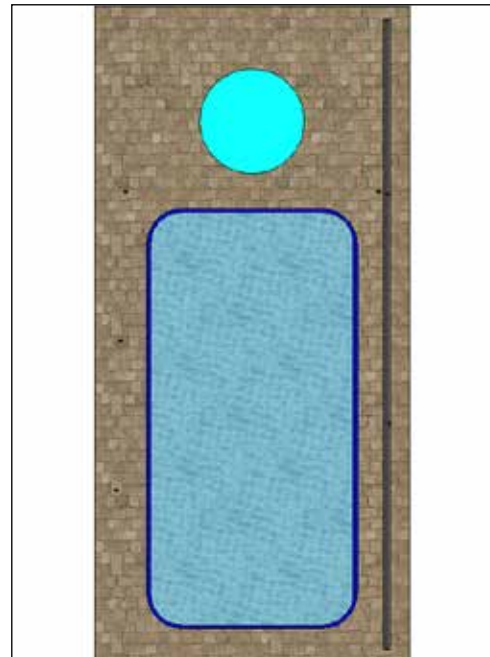
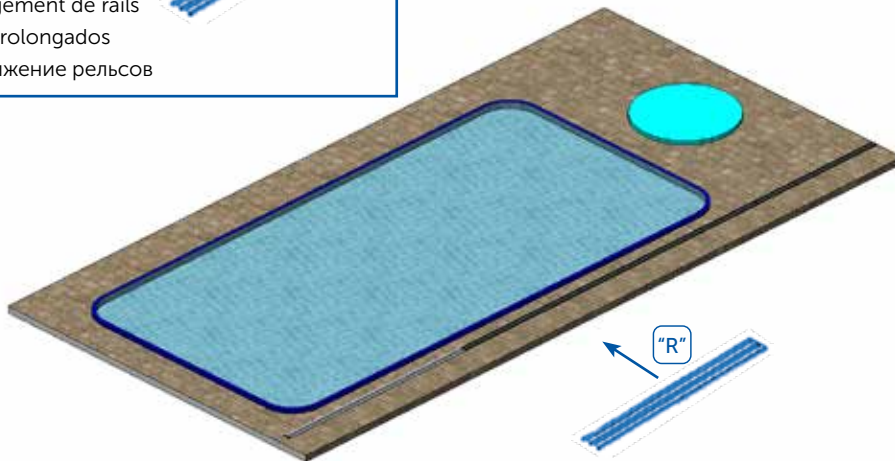
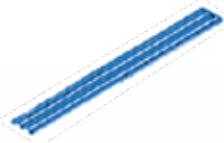


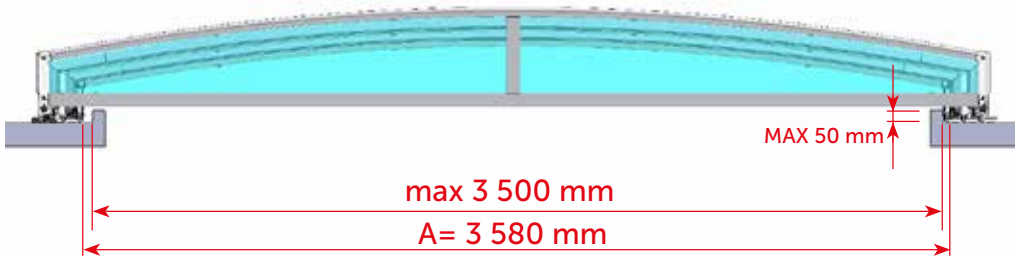
OPTIONAL "KP"



OPTIONAL "R"

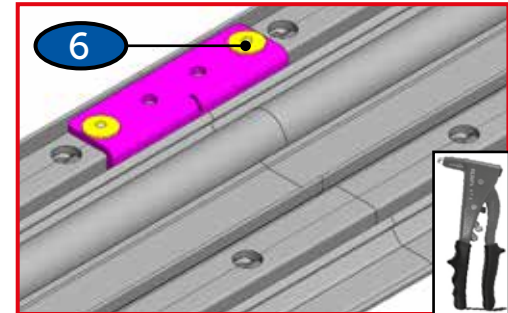
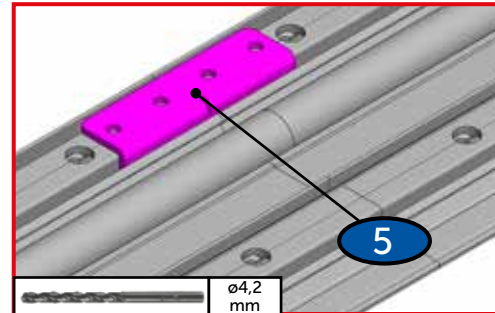
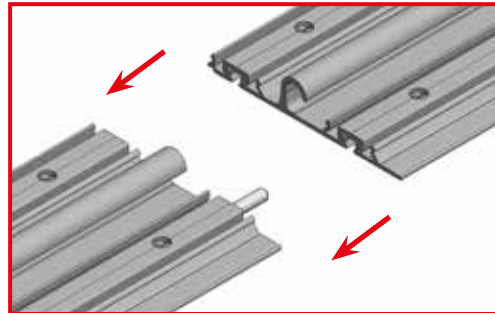
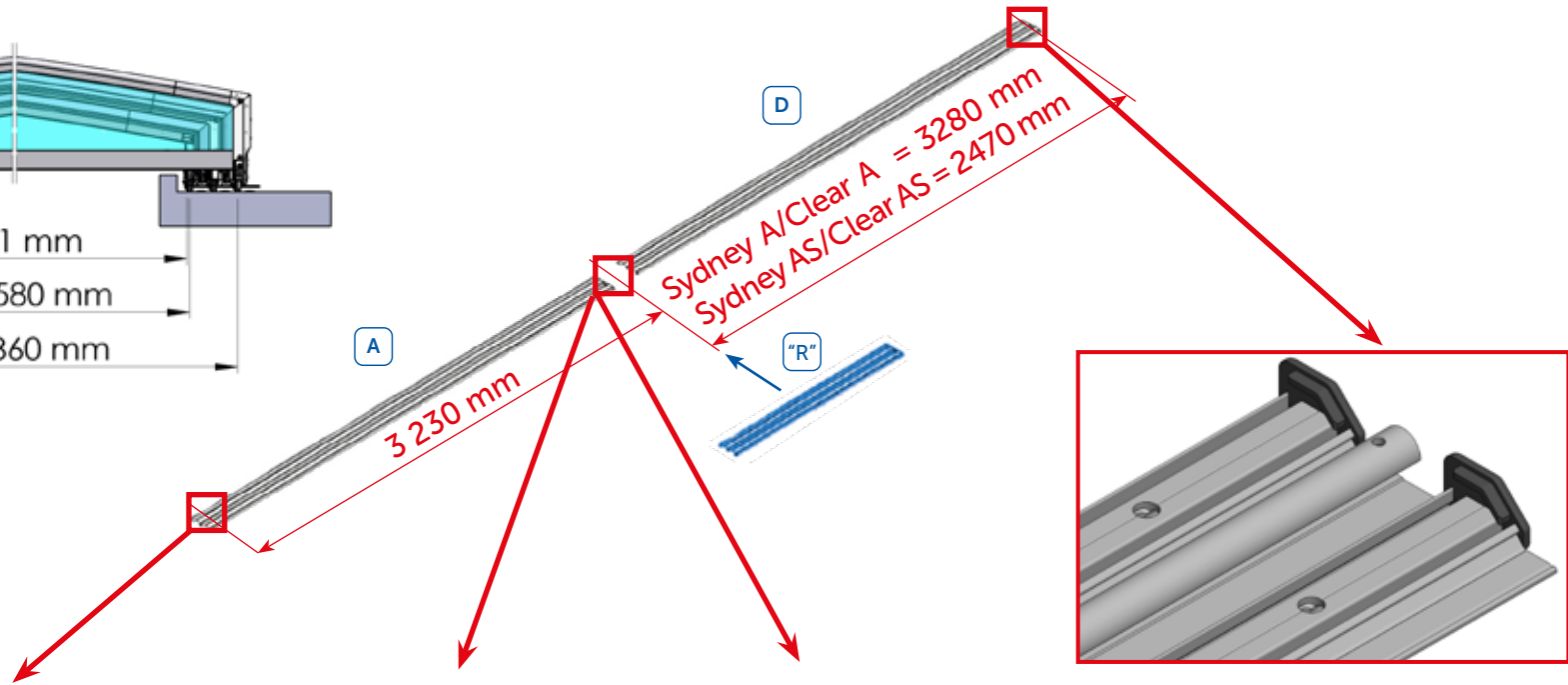
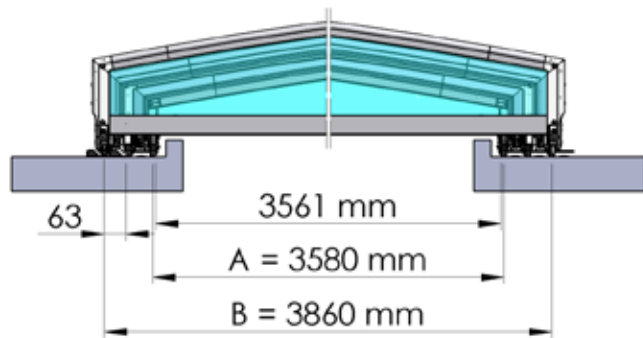
- Prodloužení kolejí
- Rail extension
- Schienenverlängerung
- Prolongement de rails
- Riales prolongados
- Продолжение рельсов

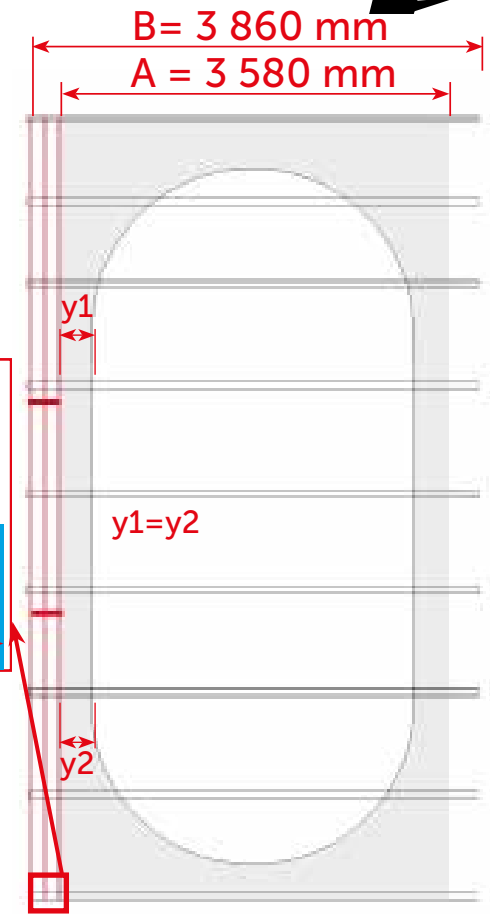
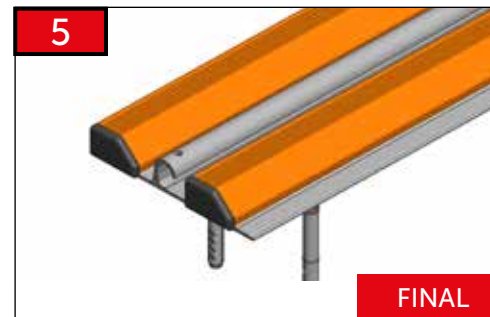
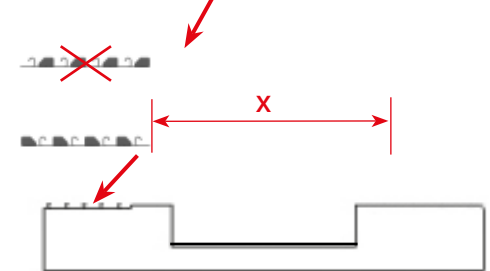
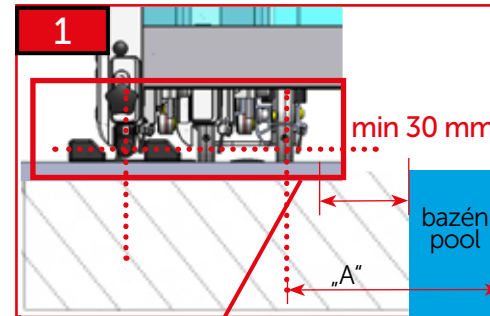
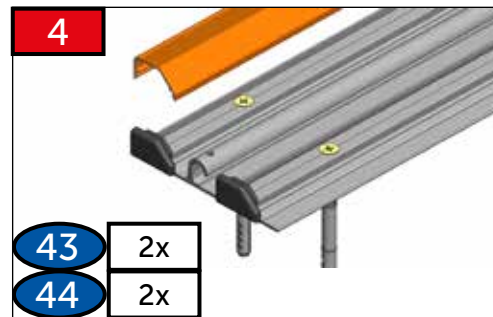
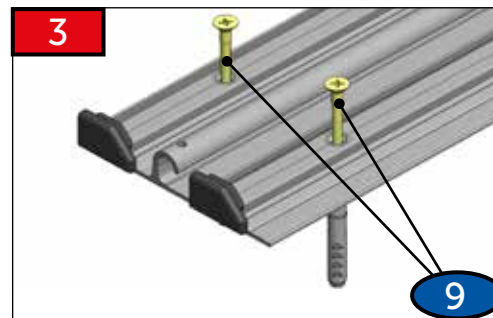
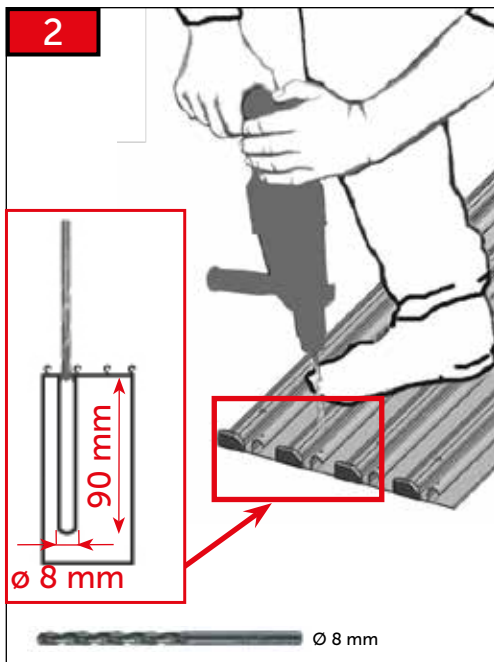
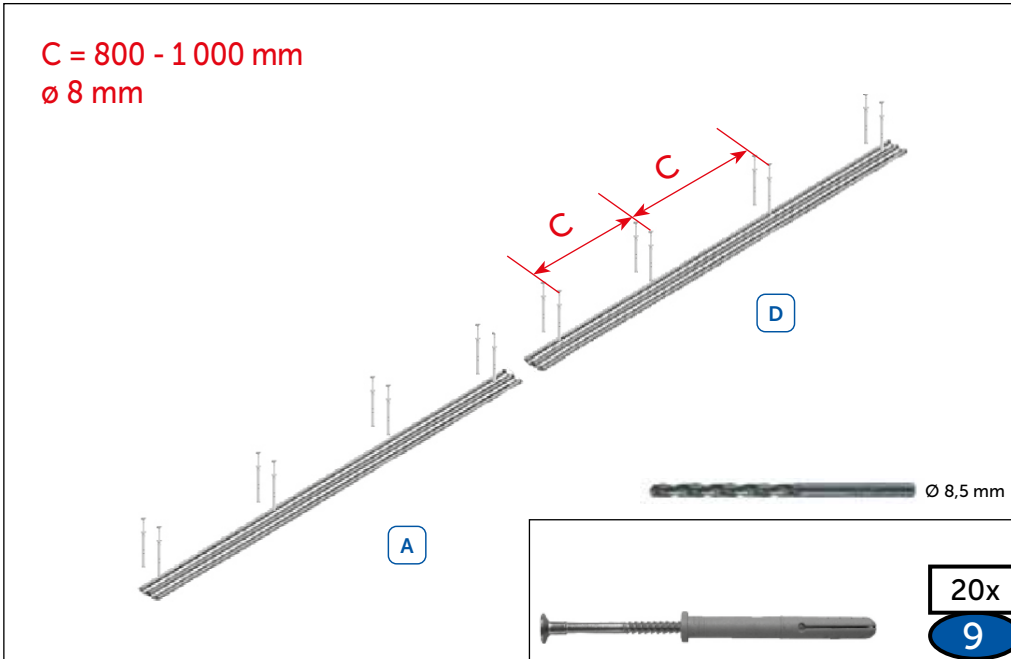




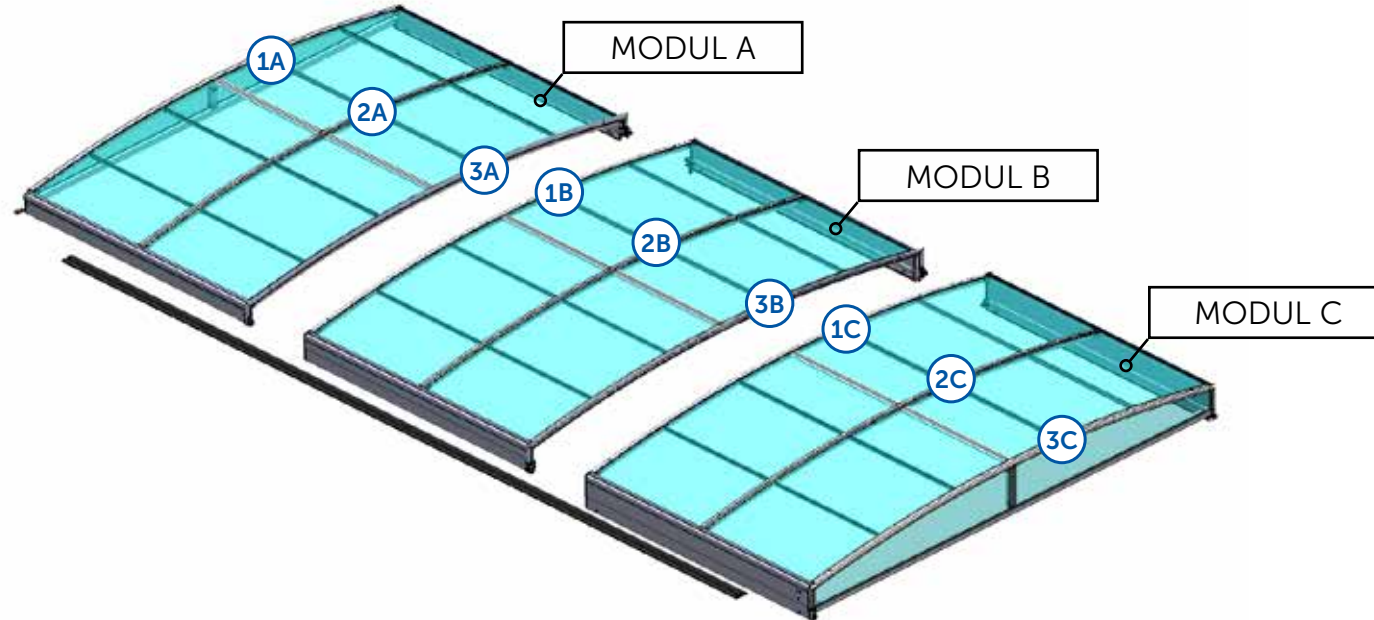
OPTIONAL

- Prodloužení kolejí
- Rail extension
- Schienenverlängerung
- Prolongement de rails
- Ríales prolongados
- Продолжение рельсов

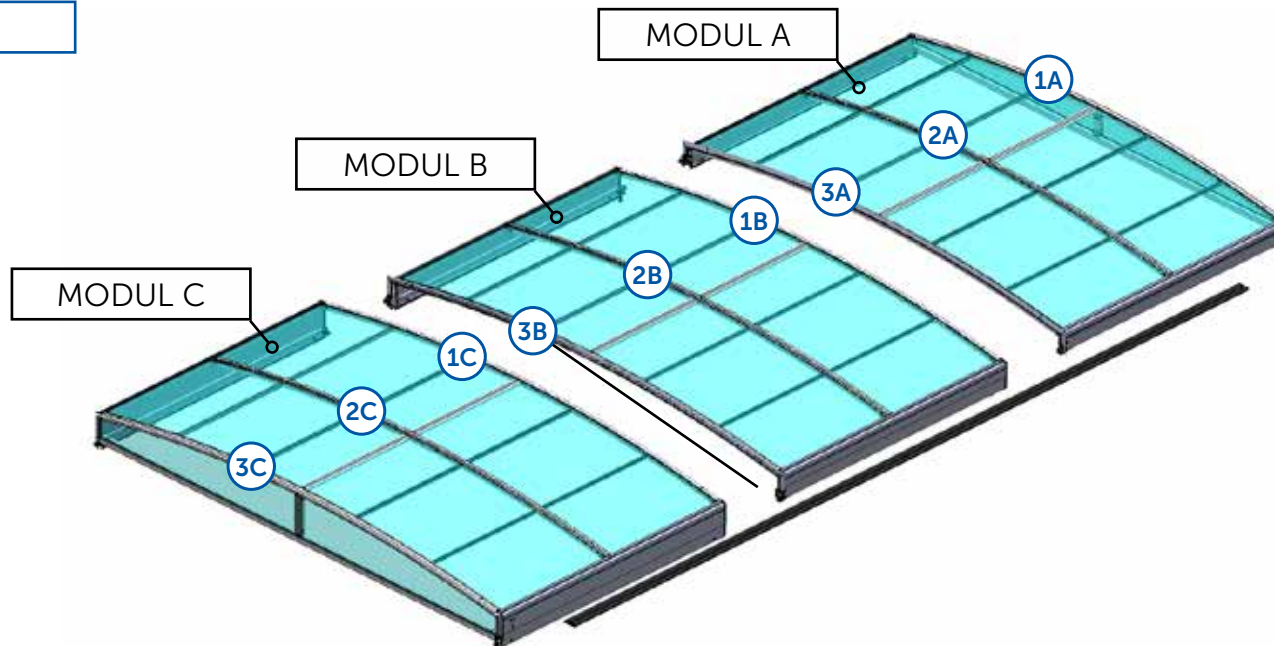




OPTIONAL "KL" - STANDARD



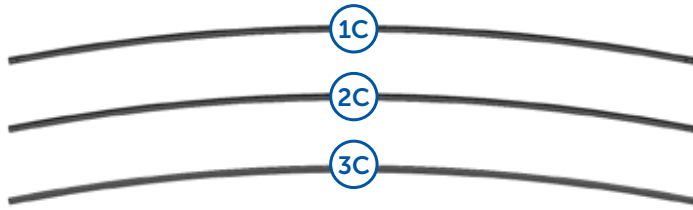
OPTIONAL "KP"



MODUL C

KL → KP

- = výměna koleček v profilech
- = changing wheels in profiles
- = Radwechsel in Profilen
- = changement de roues dans les profils
- = смена колес в профилях



1SP07-01-001

ø4 x 10

20x

7

1SZ03-01-035

DIN 914

M6x14

2x

8

1SZ29-01-008

2x

11

1SZ03-01-040

2x

12

1SP11-01-029

AN 9051

6,3 x 50

1x

13

1SP11-01-031

AN 9051

6,3 x 70

13x

14

1SP11-01-027

AN 9051

6,3 x 38

2x

15

1SP11-01-053

AN 9051 A4

6,3 x 32

4x

16

1NA03-01-050

1x

17

Sydney A/ Clear A 2Z04-01-SD001	1041 mm
Sydney AS/ Clear AS 2Z04-01-SD004	906 mm

8x

36

Sydney A/ Clear A 2Z05-01-SD001	1041 mm
Sydney AS/ Clear AS 2Z05-01-SD005	906 mm

2x

37

2Z12-01-DP018

314 mm

1x

46

2Z12-01-DP017

3829 mm

1x

48

OPTIONAL "KL" - STANDARD

Sydney A/ Clear A 2Z02-09-SR009	2150 mm
Sydney AS/ Clear AS 2Z02-09-SR067	1880 mm

1x

52

OPTIONAL "KL" - STANDARD

Sydney A/ Clear A 2Z02-09-SR010	2150 mm
Sydney AS/ Clear AS 2Z02-09-SR068	1880 mm

1x

53

Sydney A/ Clear A 2Z02-09-SD027	2150 mm
Sydney AS/ Clear AS 2Z02-09-SR028	1880 mm

2x

58

Sydney A/ Clear A	1929 x 1050 mm
Sydney AS/ Clear AS	1929 x 915 mm

MODUL C

4x

62

2x

65

2x

67

2Z09-01-SD066



















1x

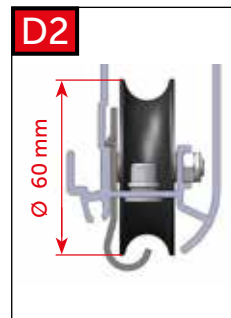
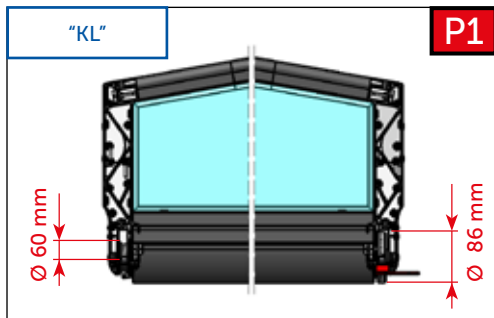
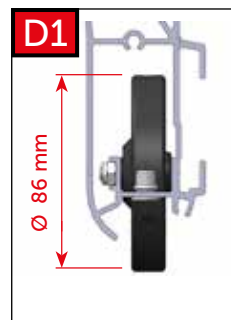
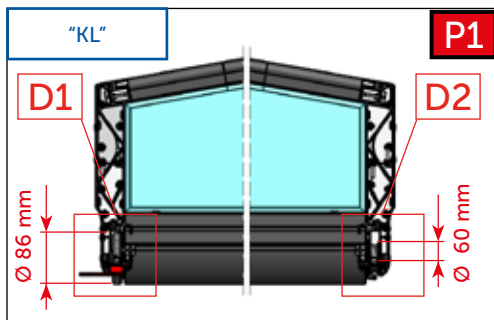
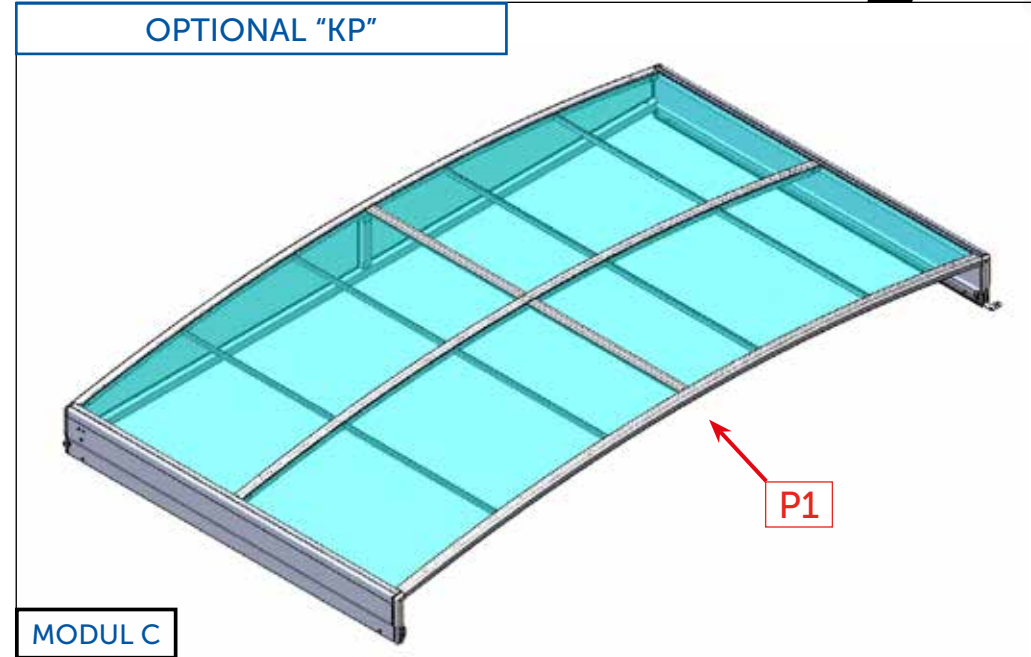
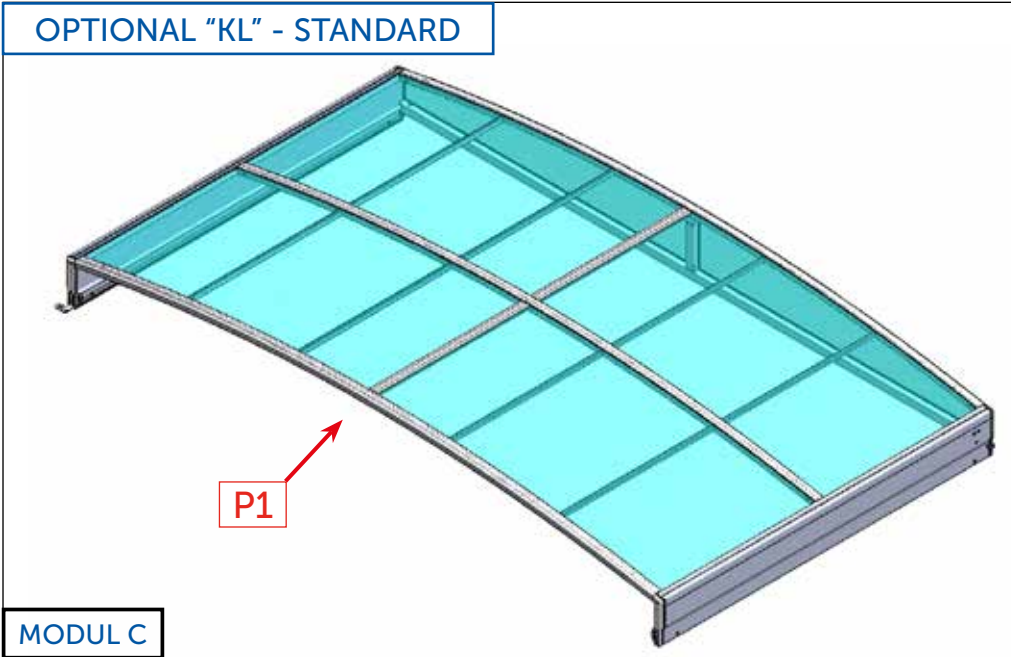
82

2Z09-01-SD067

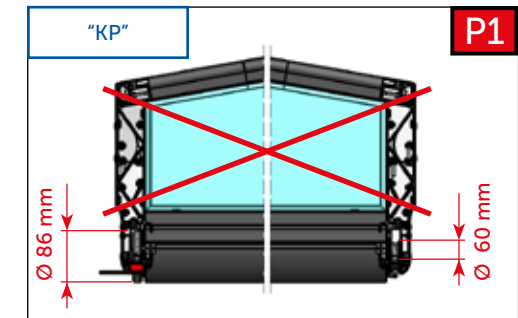
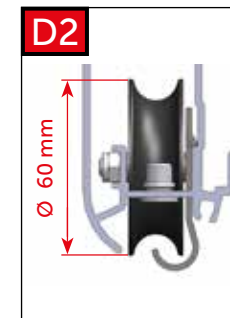
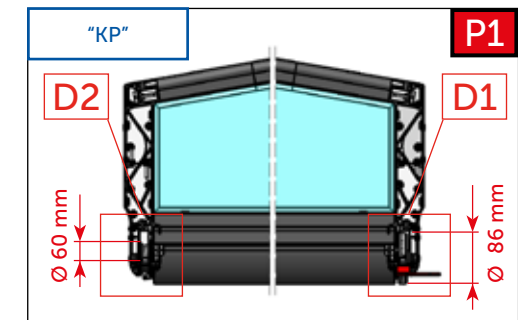
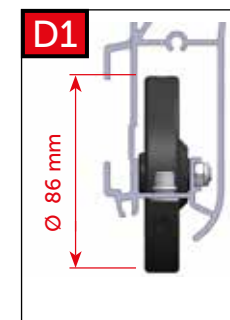
1x

83

<p>2Z09-01-SD020</p>  <p>1x</p> <p>88</p>	<p>2Z09-01-SD021</p>  <p>1x</p> <p>89</p>	<p>1SP10-01-077</p>  <p>DIN 912 M 5x65</p> <p>2x</p> <p>91</p>	<p>1SP10-01-084</p>  <p>ISO 7380 M 6x20</p> <p>2x</p> <p>92</p>	<p>1SZ18-02-010</p>  <p>2x</p> <p>93</p>	<p>1SZ18-02-012</p>  <p>4x</p> <p>94</p>	<p>1SP11-01-049</p>  <p>AN 9051 4,8x60</p> <p>6x</p> <p>95</p>	<p>1SP10-01-078</p>  <p>DIN 912 M 6x65</p> <p>4x</p> <p>96</p>
<p>1SP10-01-082</p>  <p>DIN 912 M 6x100</p> <p>4x</p> <p>97</p>	<p>1SZ03-01-038</p>  <p>2x</p> <p>98</p>	<p>1SZ03-01-030</p>  <p>4x</p> <p>99</p>	<p>1SZ12-01-010</p>  <p>8x</p> <p>100</p>	<p>1SZ12-01-052</p>  <p>2x</p> <p>104</p>	<p>1SP11-01-050</p>  <p>AN 9051 4,8x19</p> <p>2x</p> <p>105</p>	<p>1SZ12-01-051</p>  <p>2x</p> <p>10</p>	
<p>2Z09-01-SD064</p>  <p>1x</p> <p>80</p>	<p>2Z09-01-SD065</p>  <p>1x</p> <p>81</p>	<p>1SP10-01-025</p>  <p>DIN912 M6x25</p> <p>4x</p> <p>108</p>					
<p>OPTIONAL "KL"</p> <p>1SZ18-02-001D</p>  <p>1x</p> <p>3</p>	<p>OPTIONAL "KP"</p> <p>1SZ18-02-002D</p>  <p>1x</p> <p>4</p>						



KL → KP
 = výměna koleček v profilech
 = changing wheels in profiles
 = Radwechsel in Profilen
 = changement de roues dans les profils
 = смена колес в профилях



1 KL → KP

1a

- = demontáž
- = disassembly
- = Demontage
- = démontage
- = удаление

1x
52

1

4a

- = demontáž
- = disassembly
- = Demontage
- = démontage
- = удаление

1x
53

1a

2

4a

5

3

1 KL → KP

1a

- = montáž
- = montage
- = Montage
- = assemblage
- = монтаж

1x

52

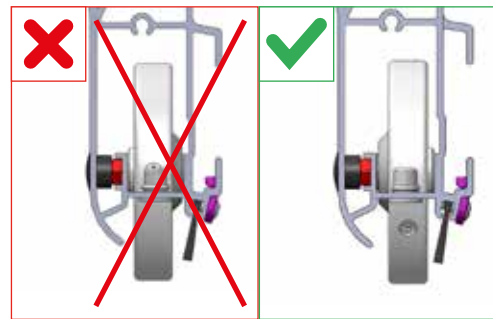
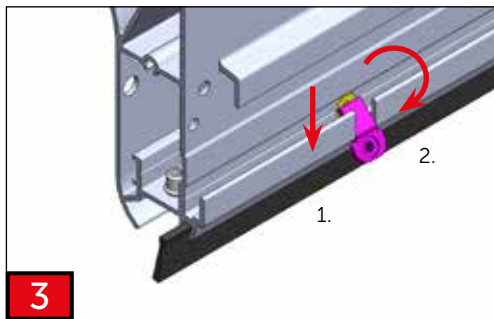
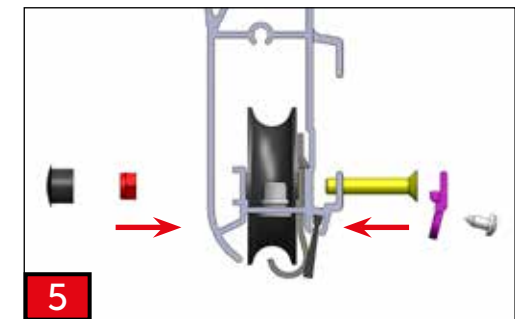
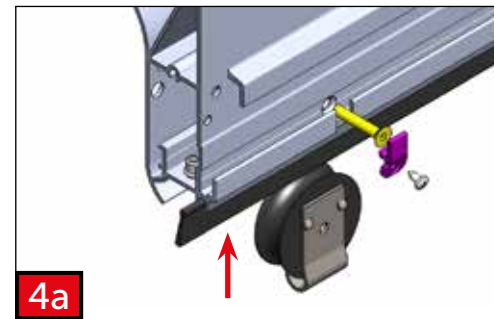
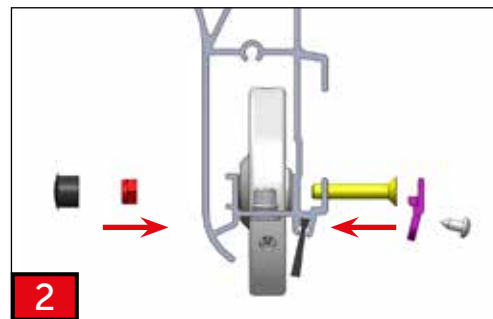
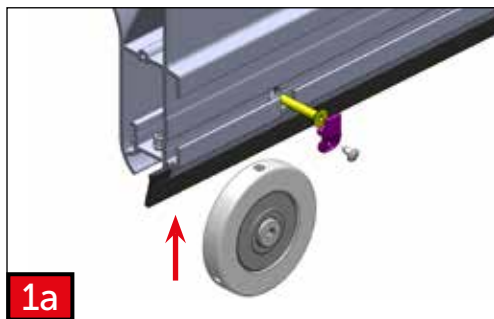
1

4a

- = montáž
- = montage
- = Montage
- = assemblage
- = монтаж

1x

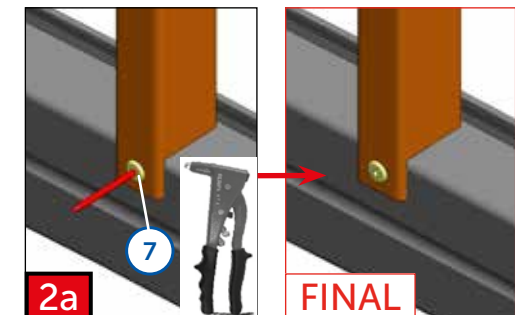
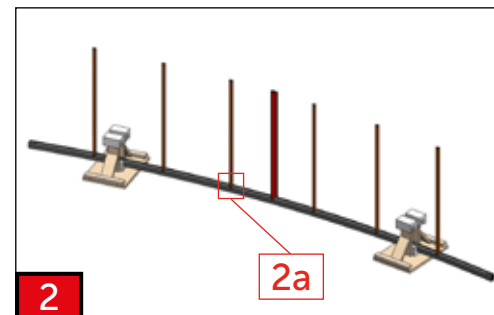
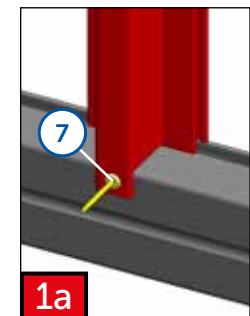
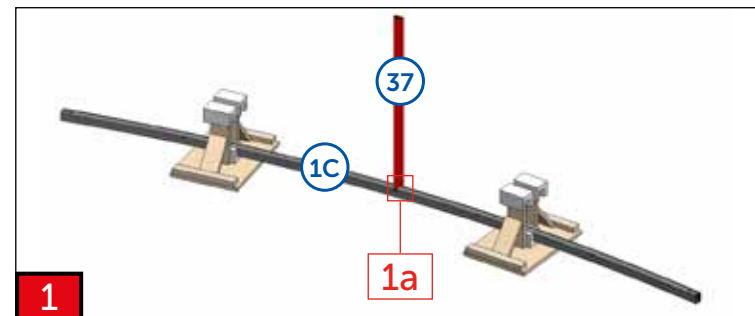
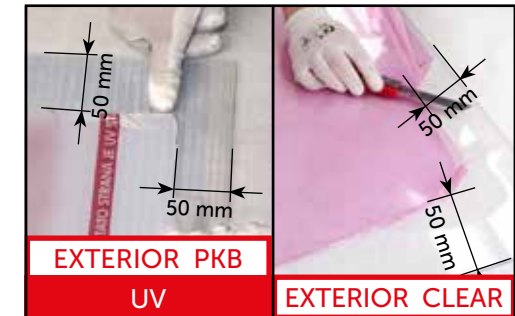
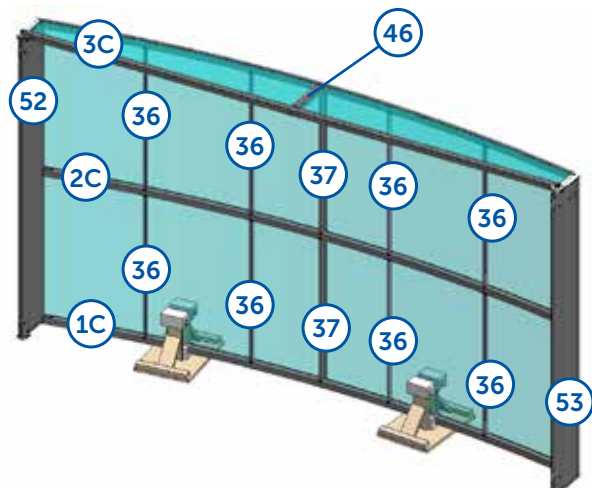
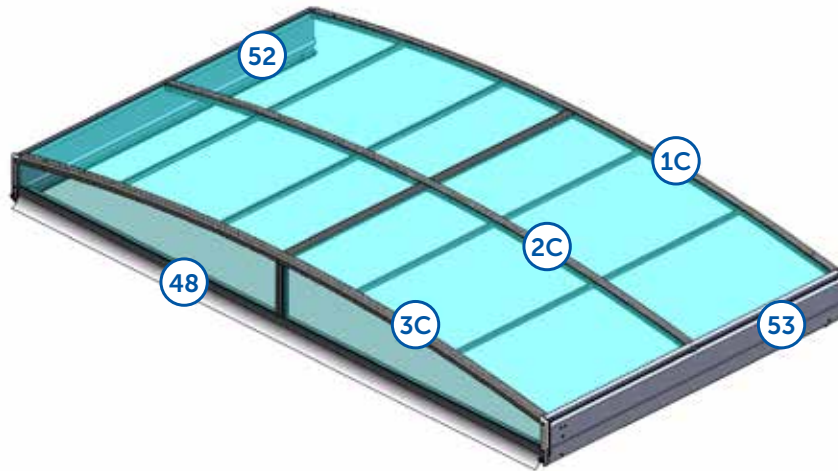
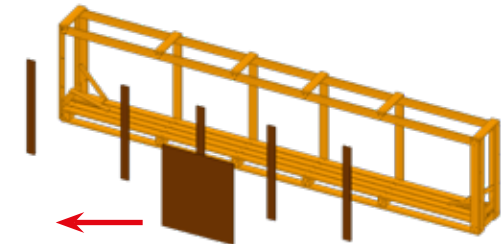
53

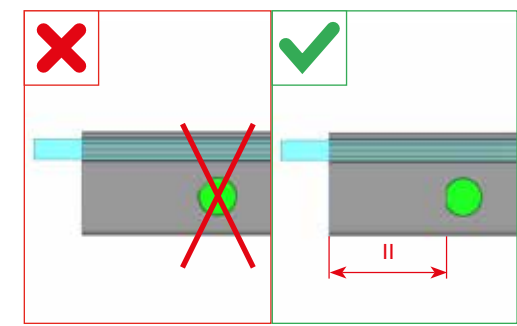
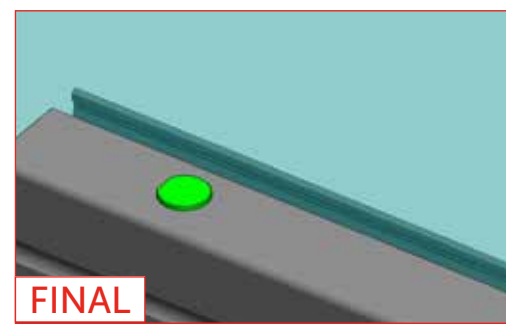
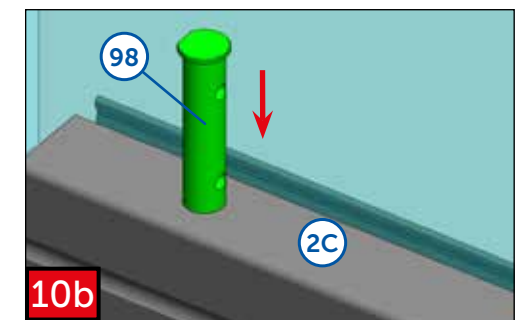
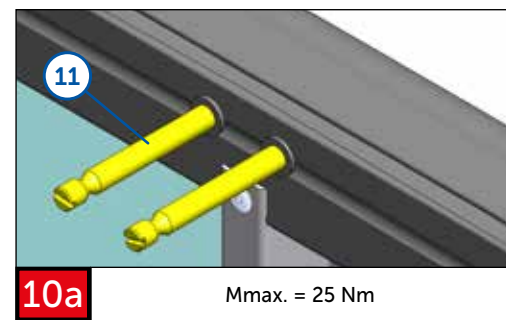
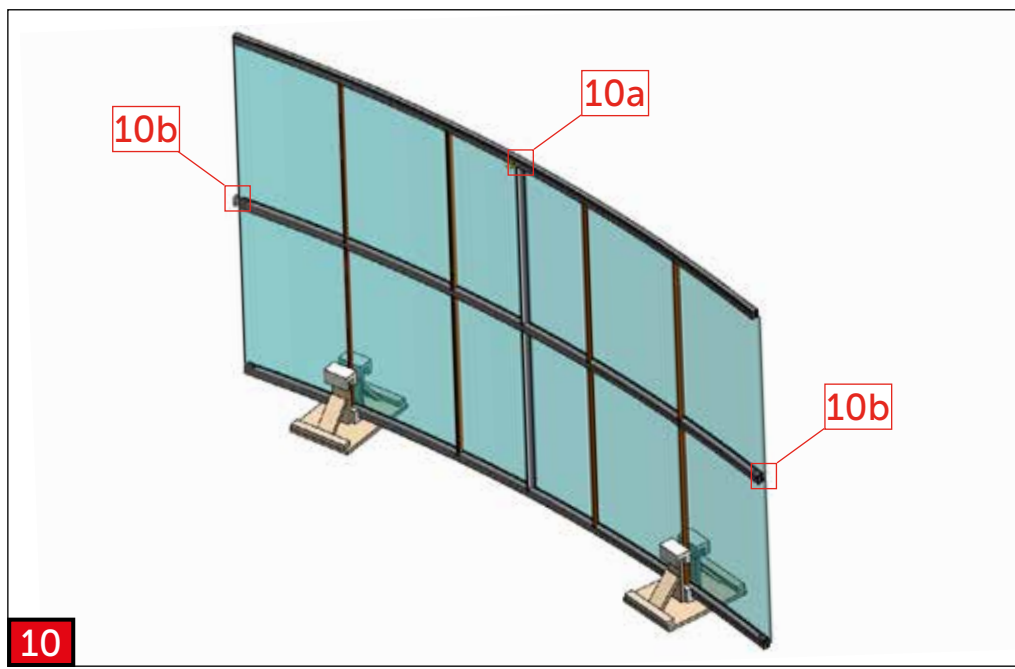
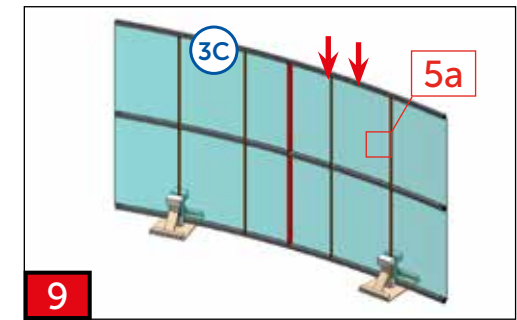
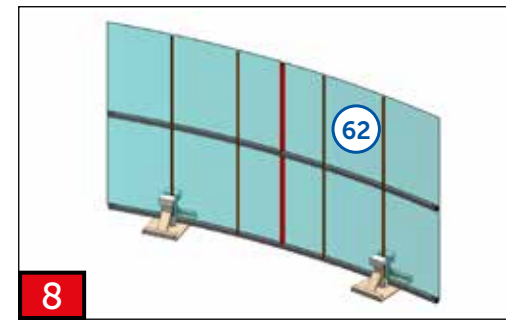
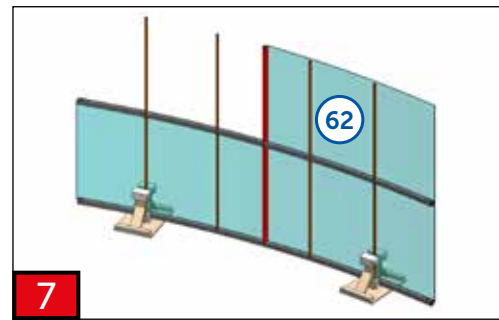
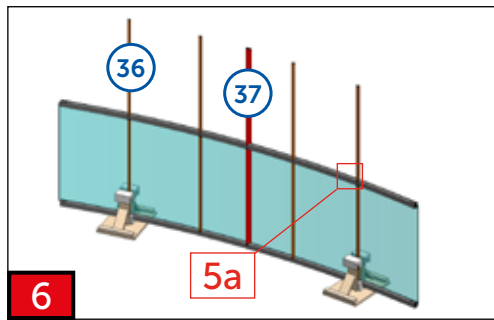
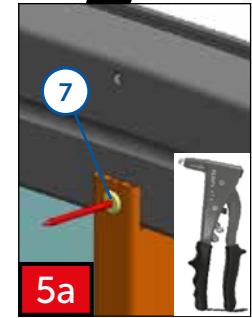
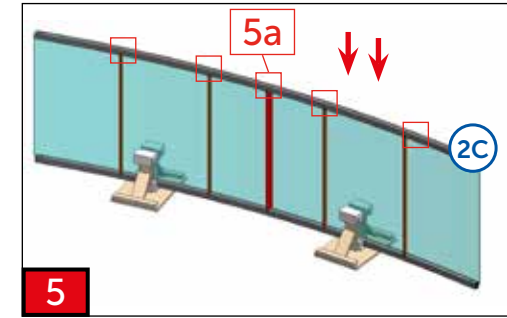
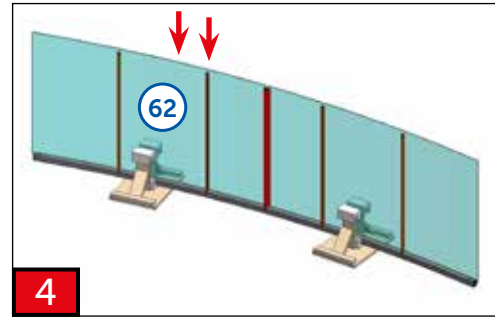
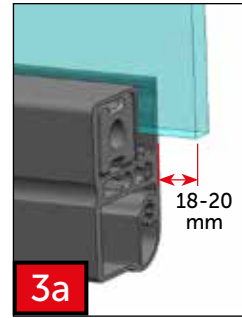
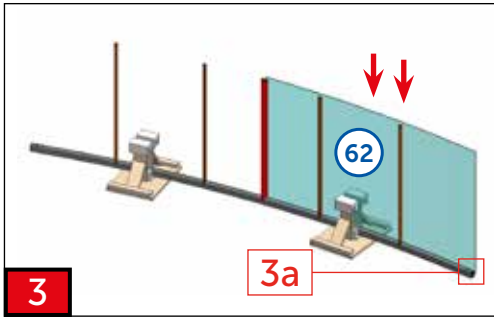


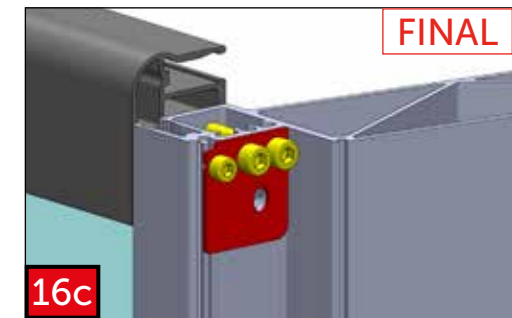
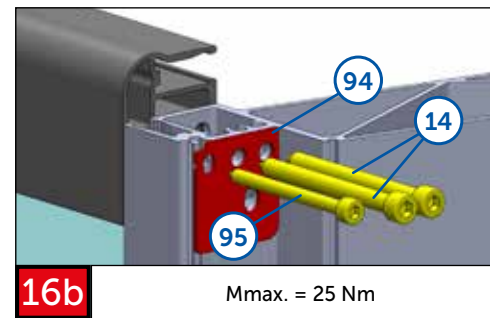
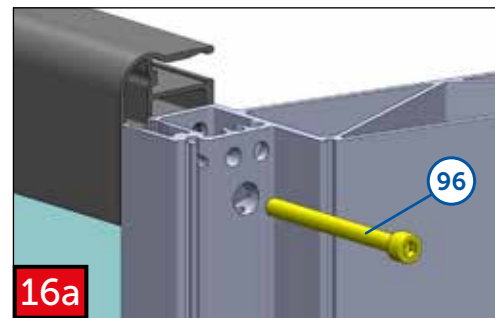
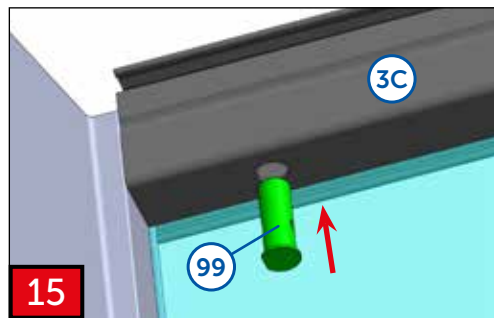
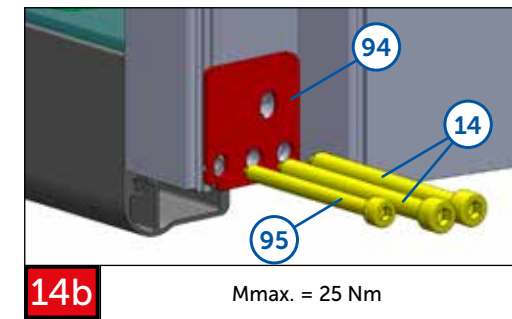
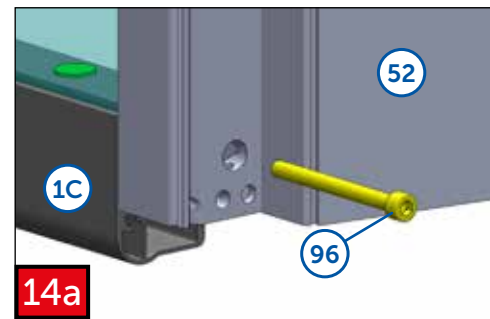
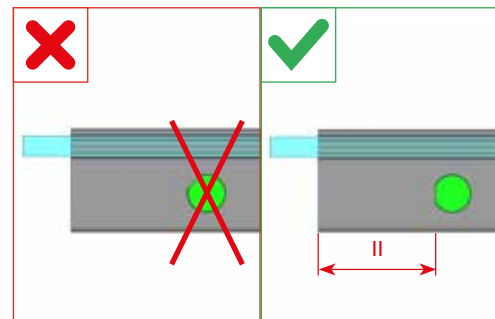
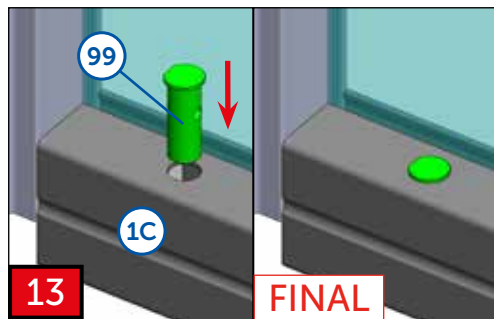
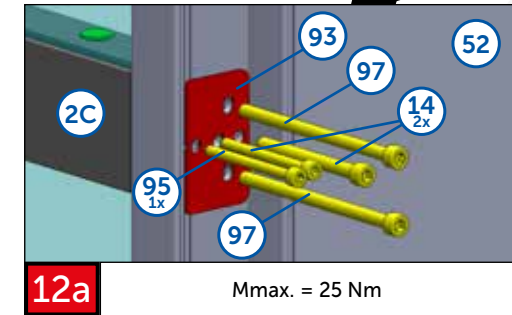
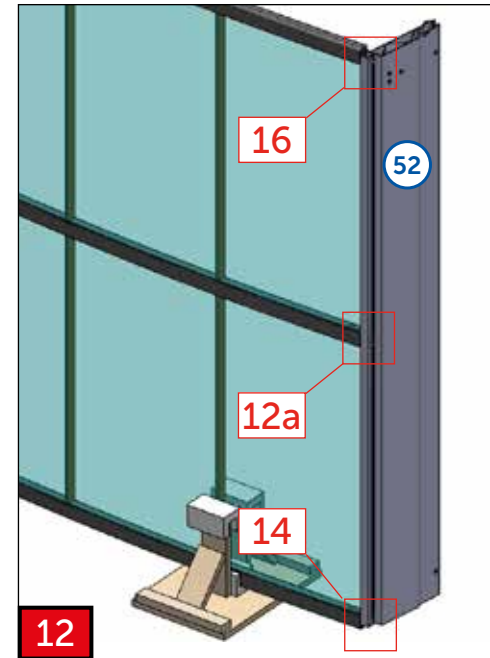
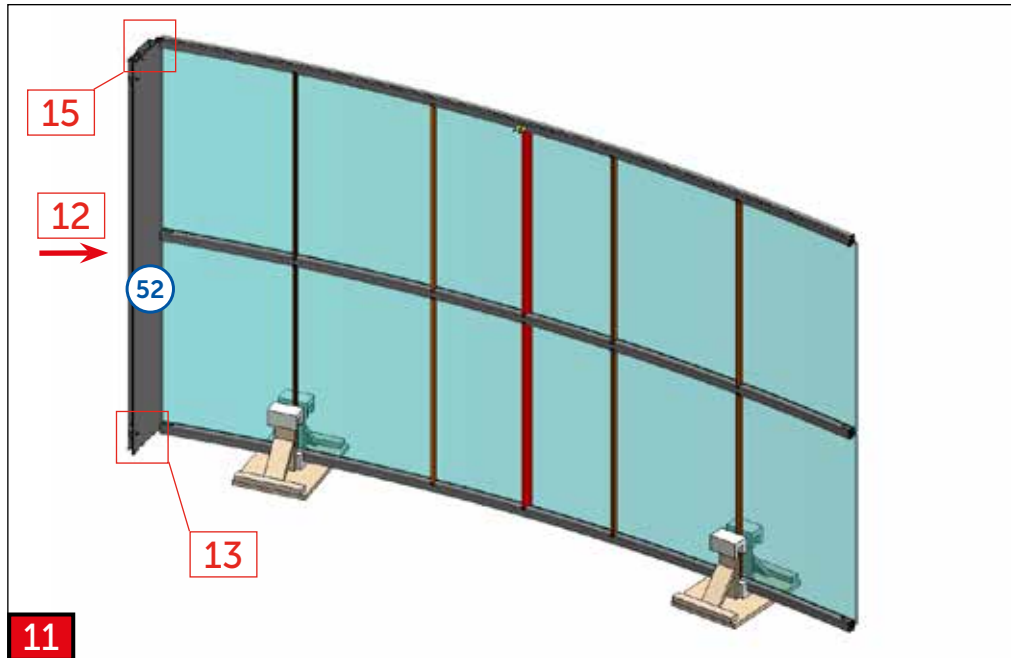
Pomocný držák pro montáž modulu
Auxiliary holder for the assembly of module
Zusätzliche Halterung für die Modulmontage
Support auxiliaire pour l'assemblage du module
Вспомогательный держатель для сборки модуля

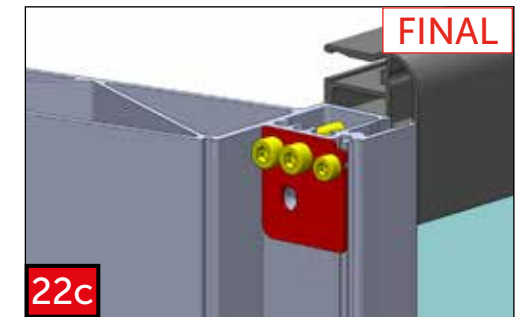
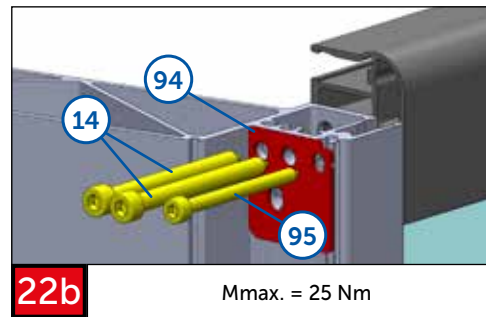
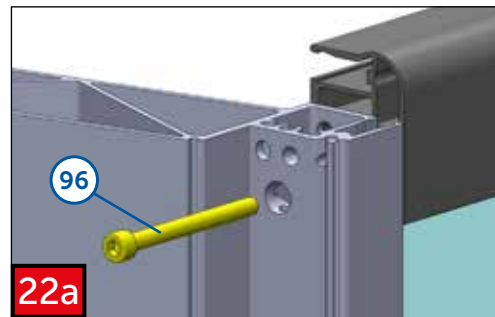
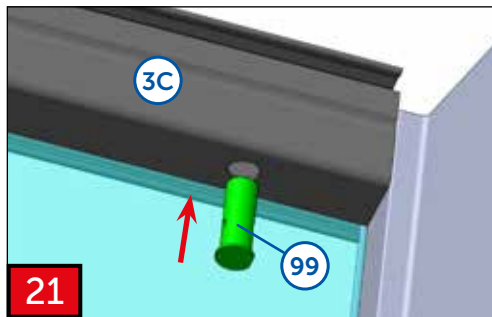
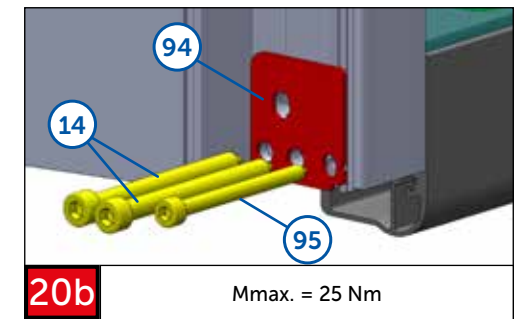
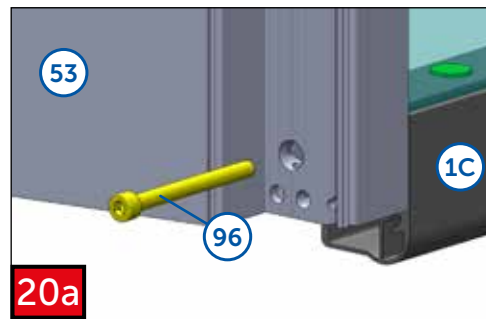
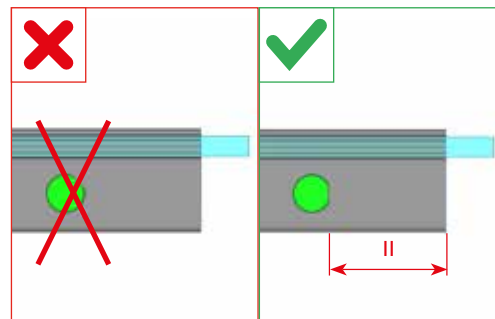
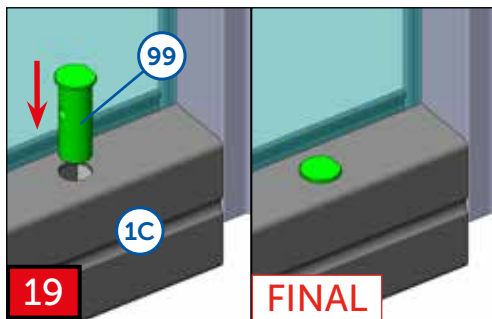
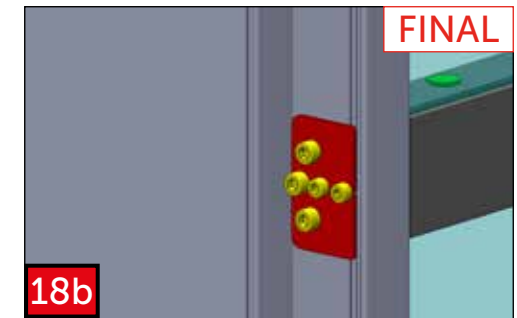
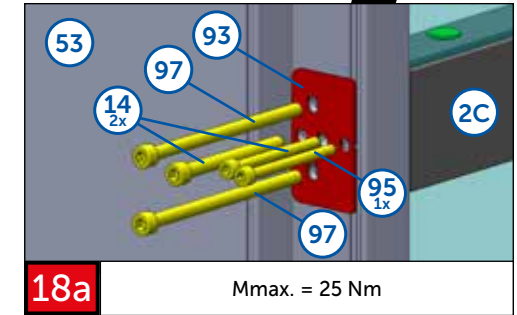
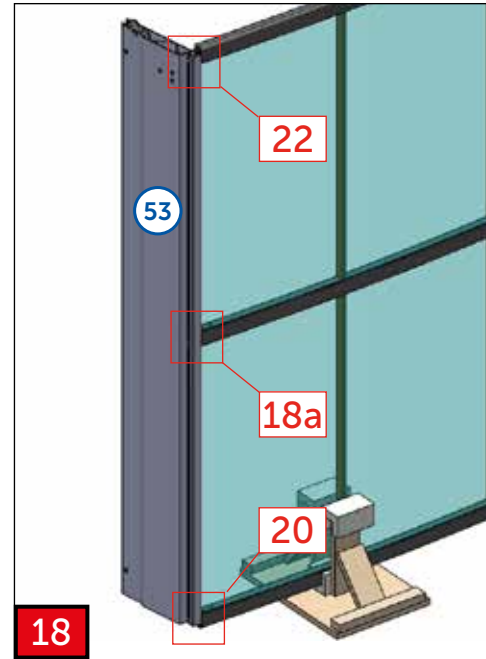
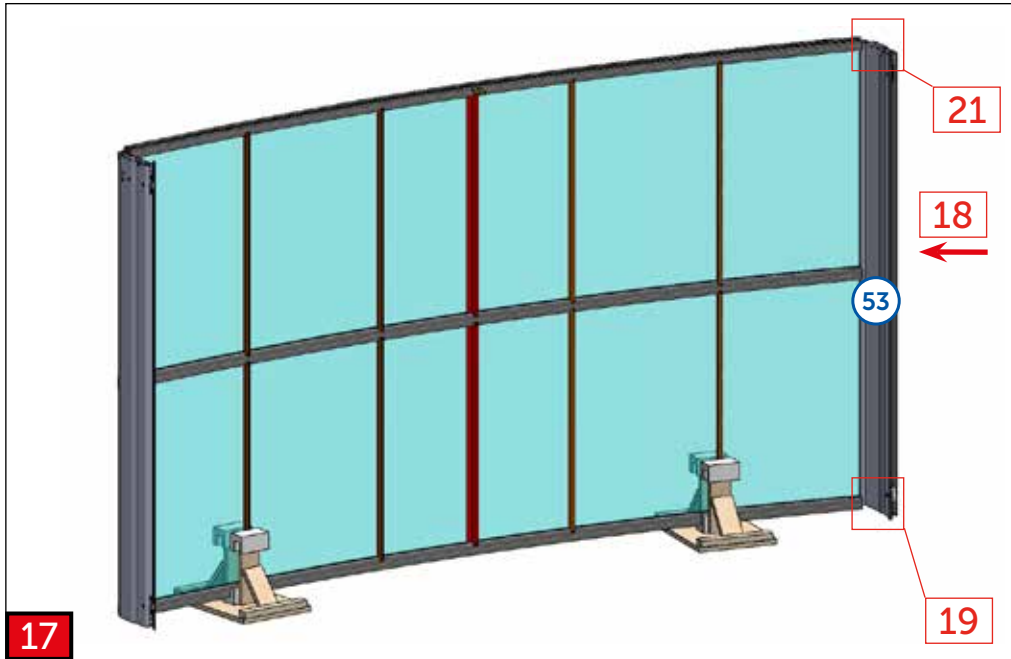


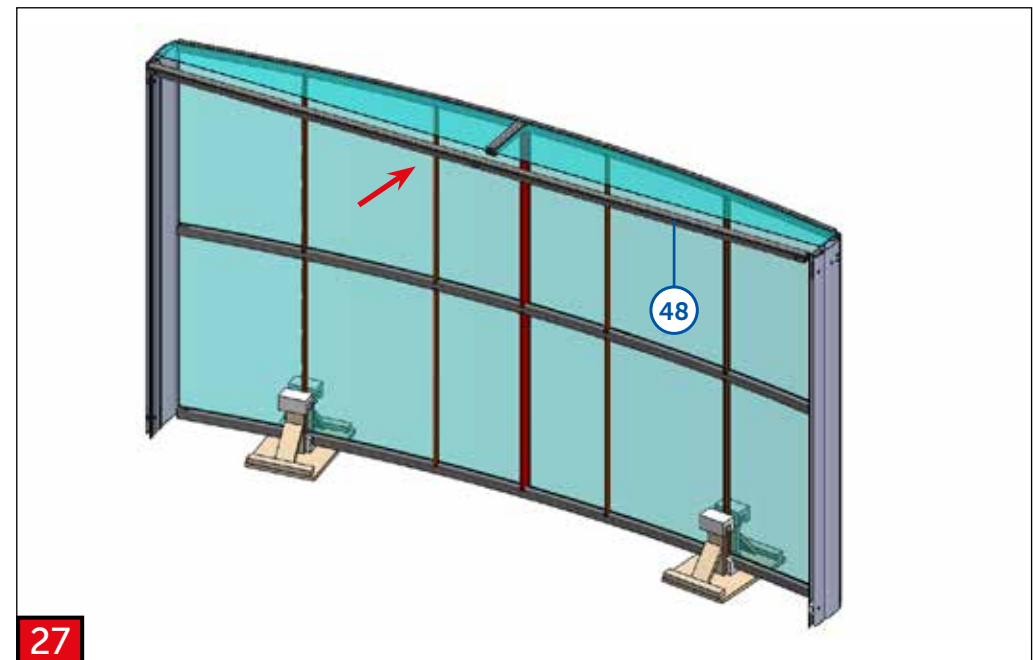
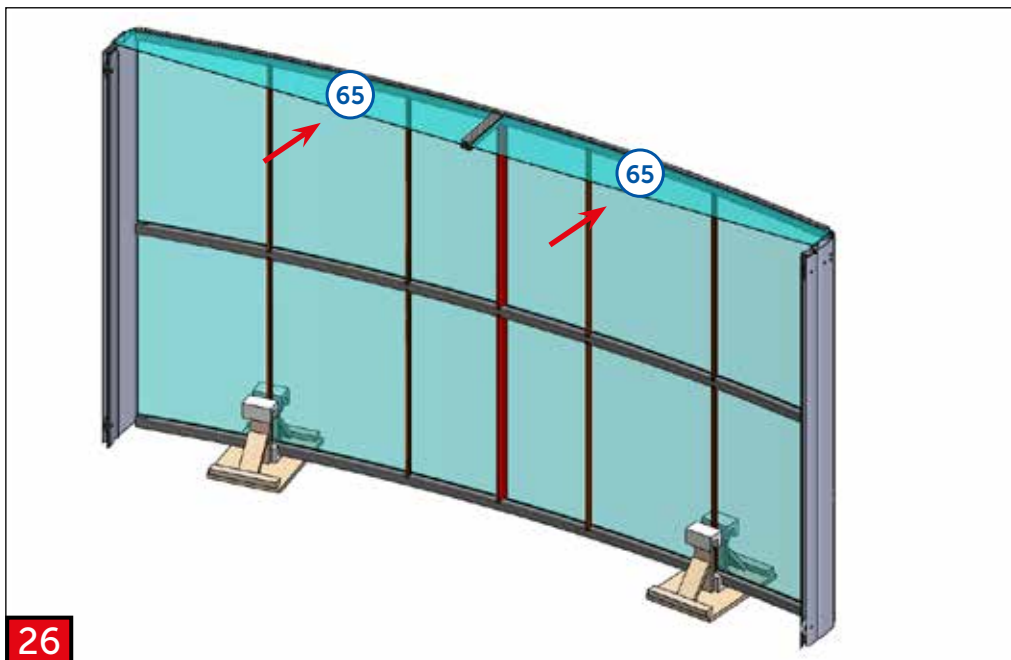
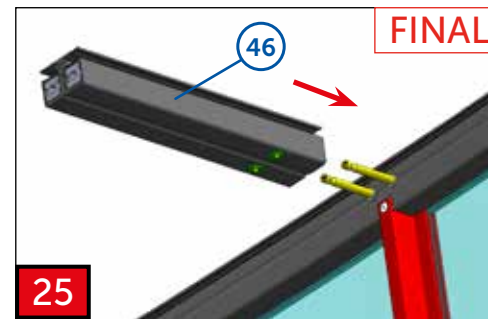
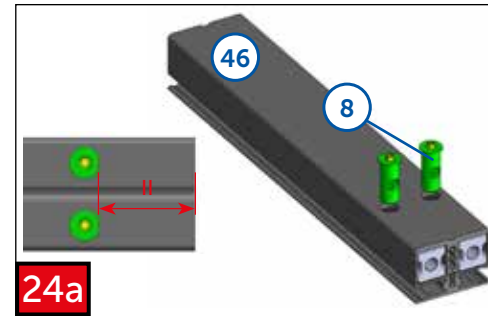
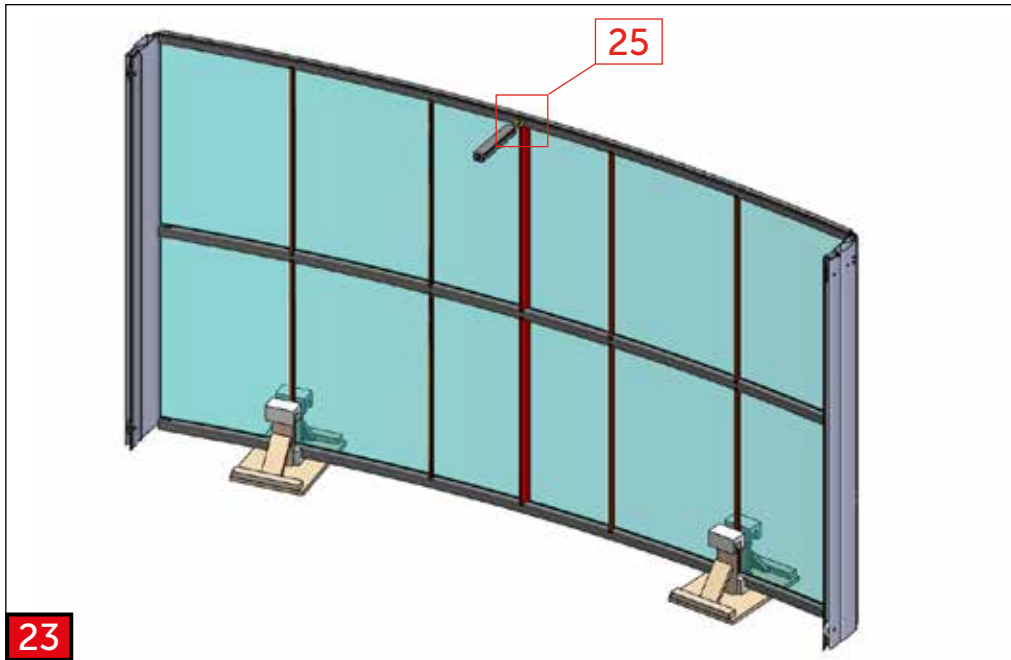
Nutné zajistit modul proti překlopení. Doporučujeme vyrobit držák z balení (prkna + výložky) nebo zajistit jiným způsobem.
 The module must be secured against falling. We recommend that you make a holder from the transport box (boards + foam liner) or that you secure the module in other safe way.
 Das Modul muss gegen Umkippen gesichert werden. Wir empfehlen, einen Halter aus der Verpackung (Bretter + Liner) zu machen oder das Modul auf andere Weise zu sichern.
 Il est nécessaire d'assurer le module contre son renversement. Nous recommandons de fabriquer le support de l'emballage (les planches + les parements) ou de l'assurer autrement.
 Необходимо обезопасить модуль от опрокидывания. Мы рекомендуем сделать держатель из упаковки (доски + вкладыши) или закрепить его другим способом.

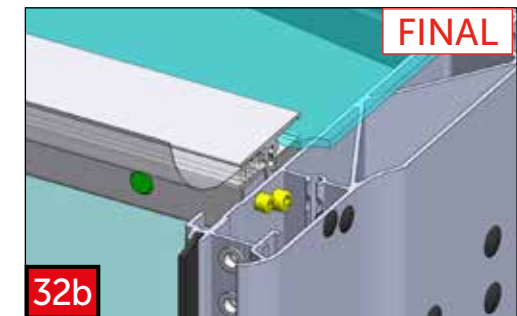
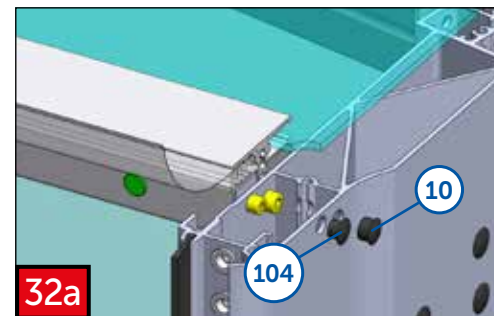
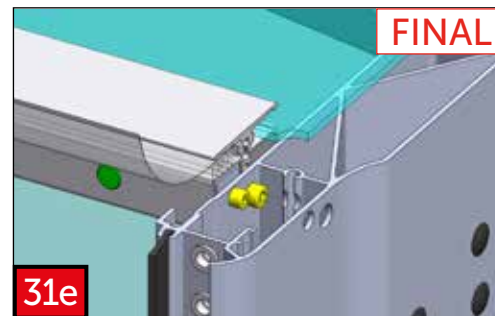
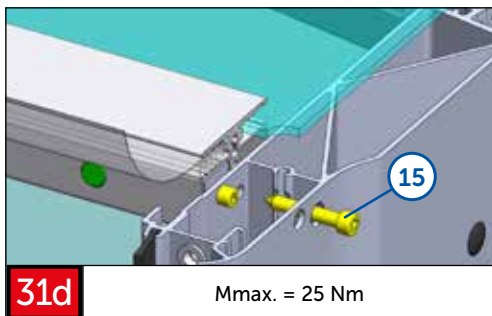
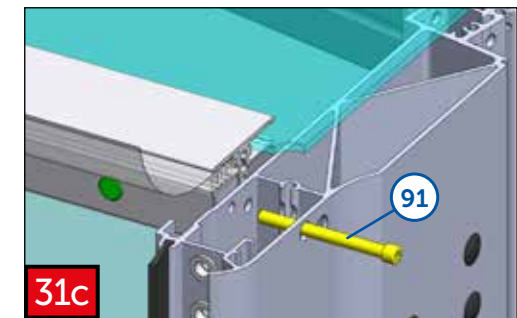
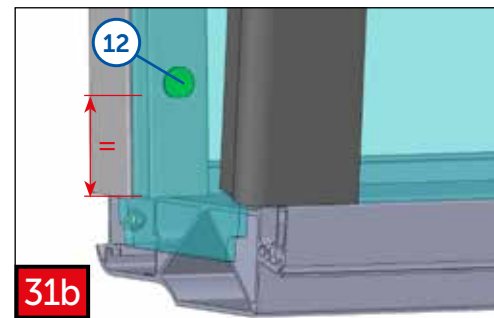
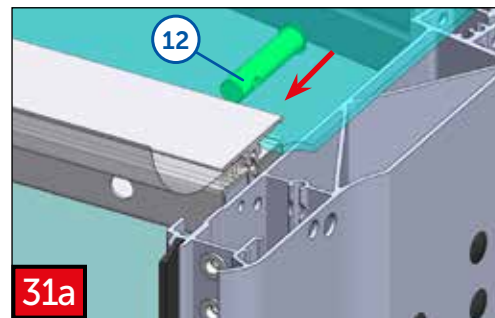
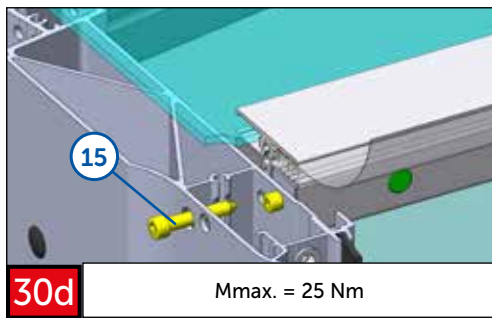
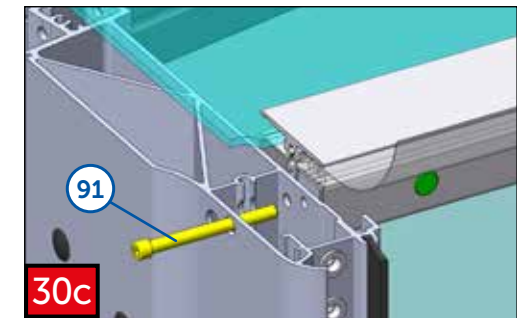
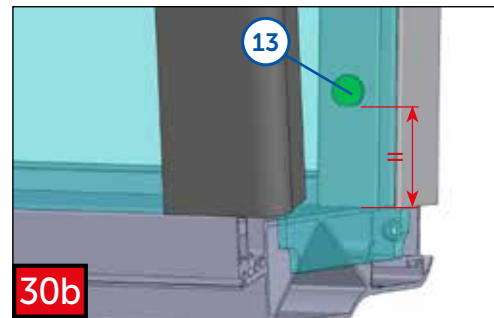
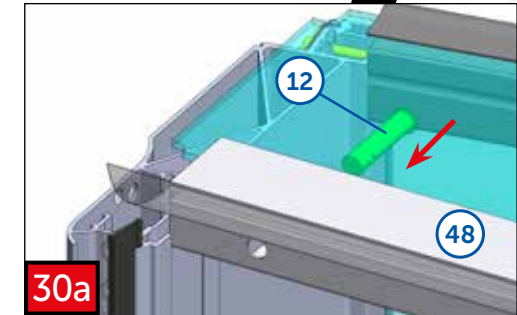
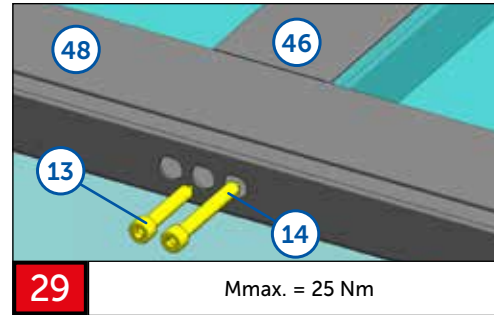
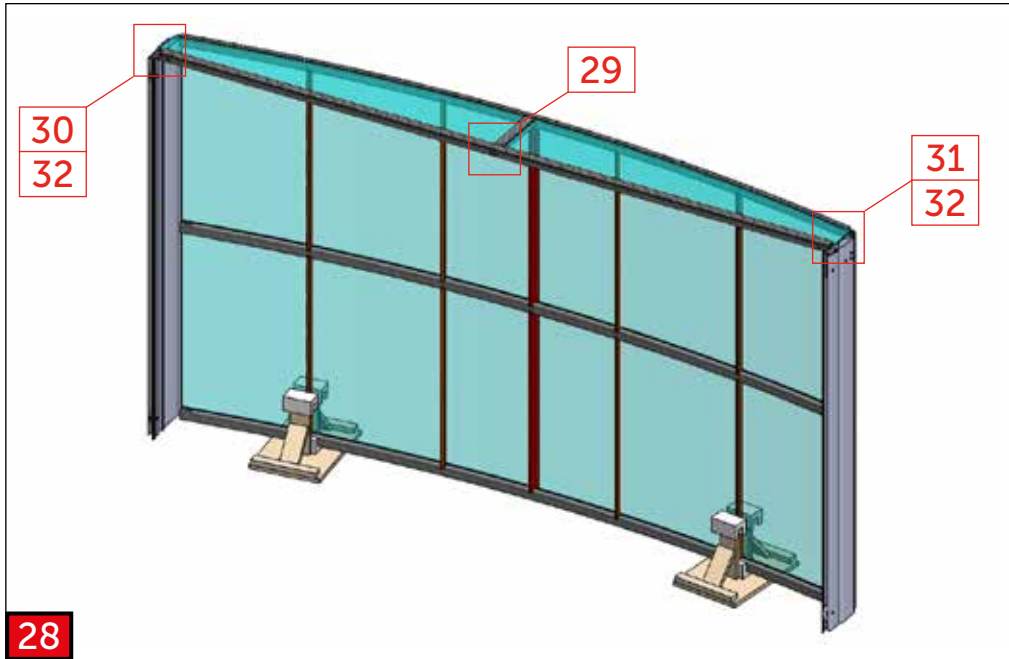




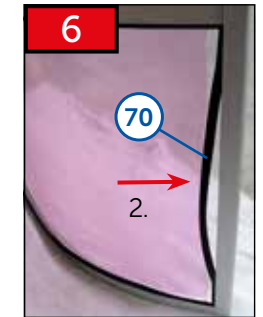
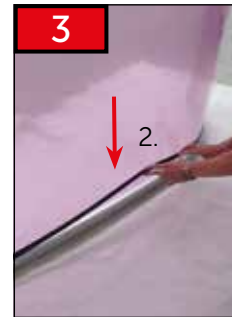
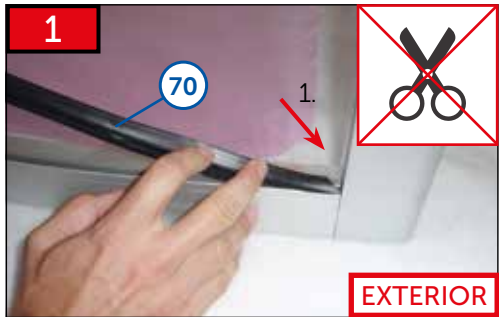
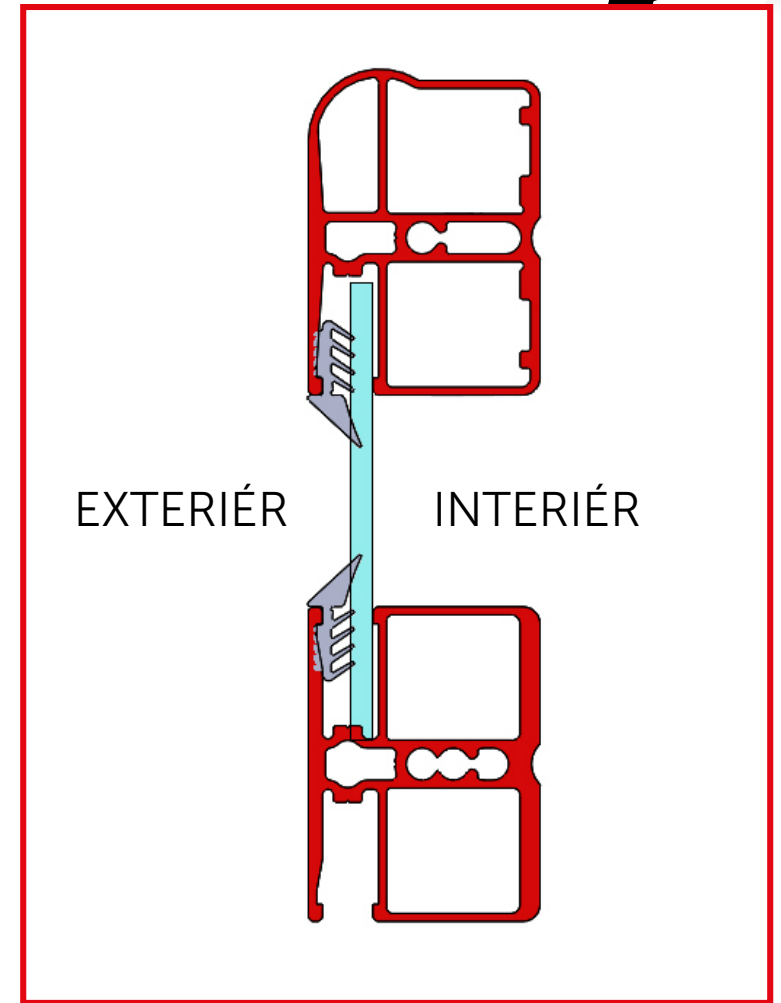
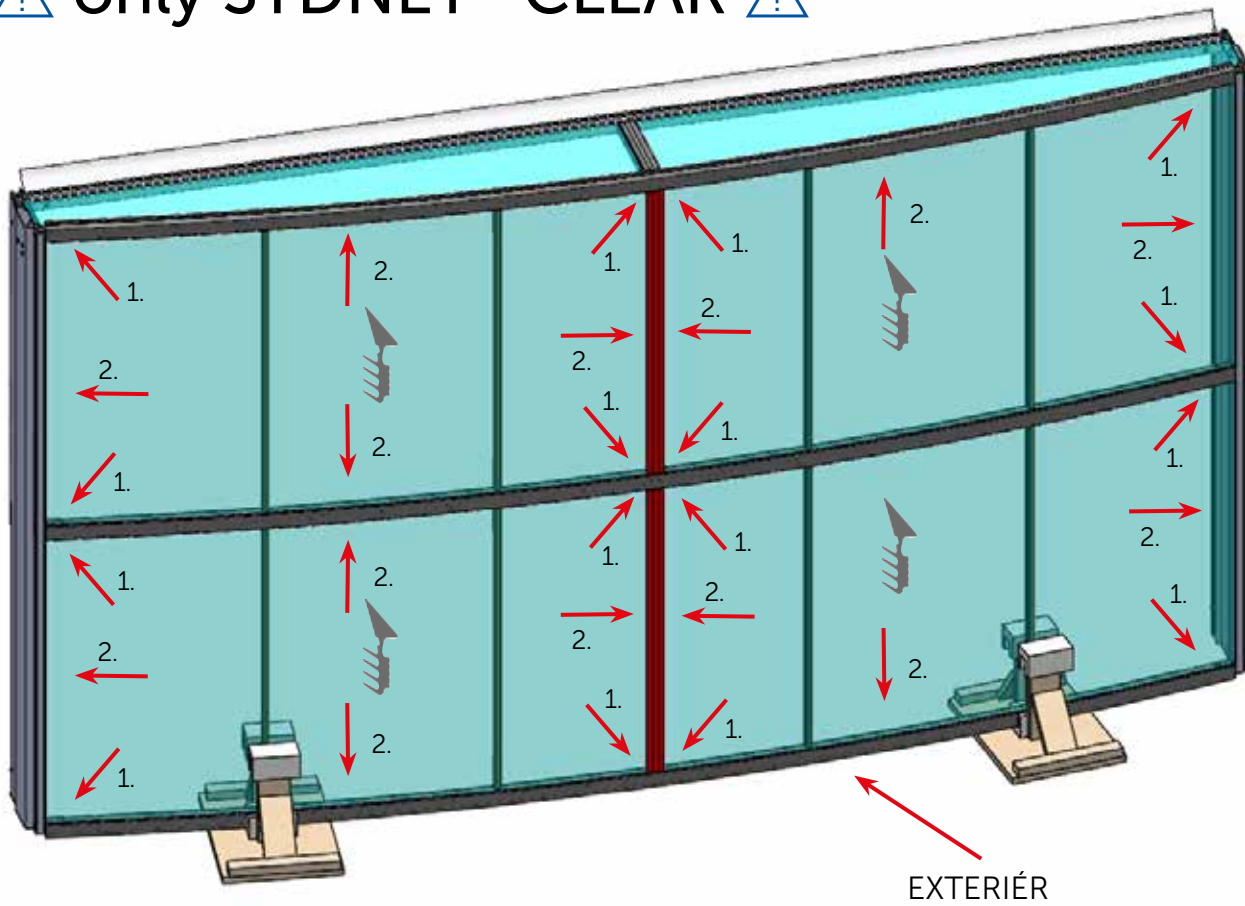


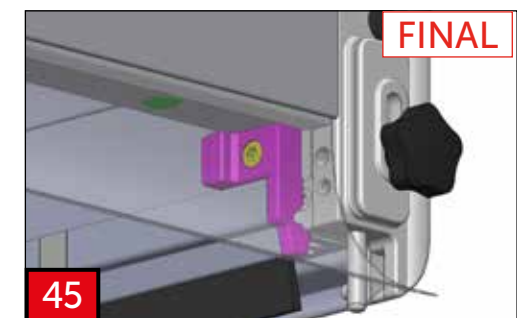
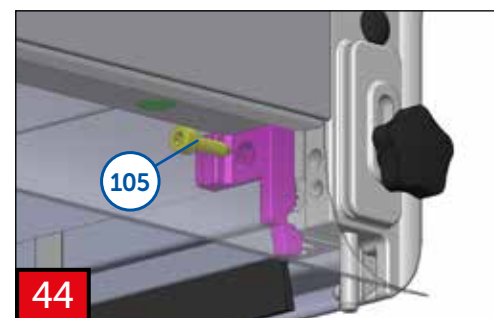
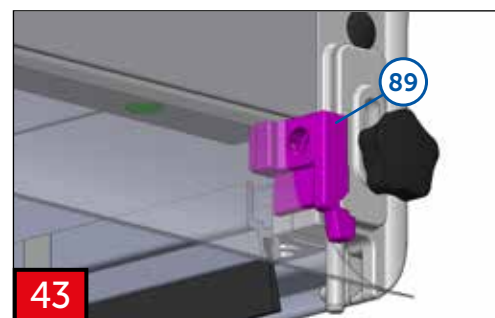
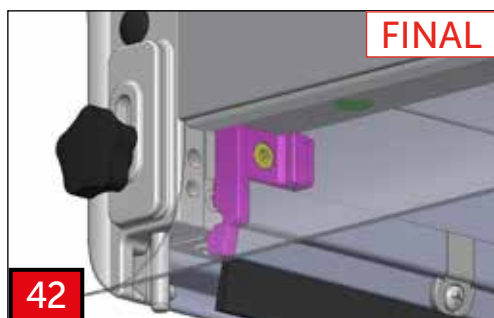
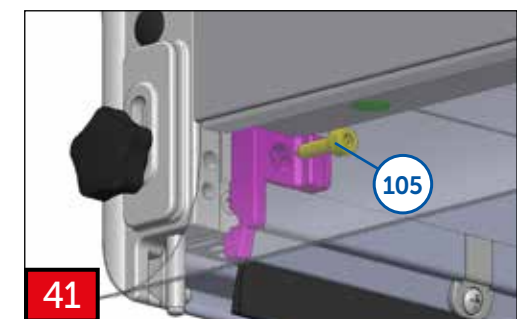
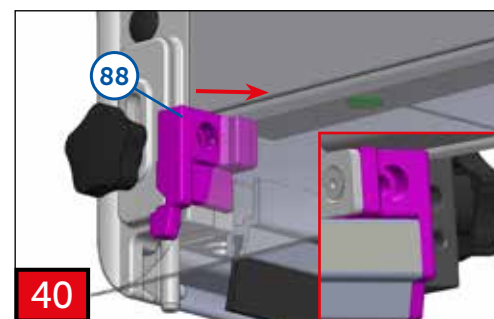
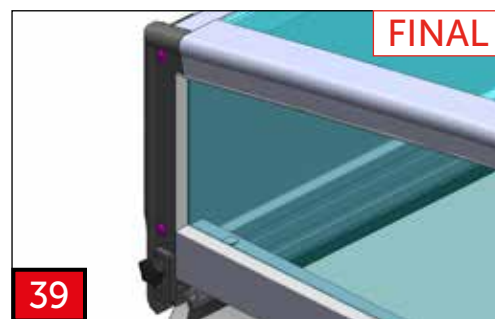
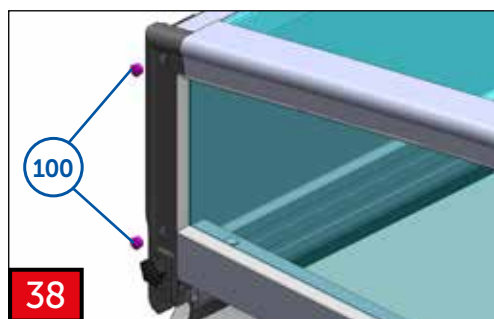
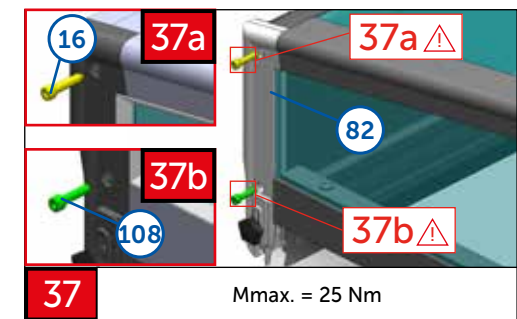
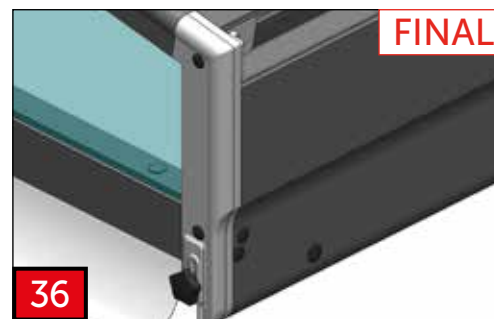
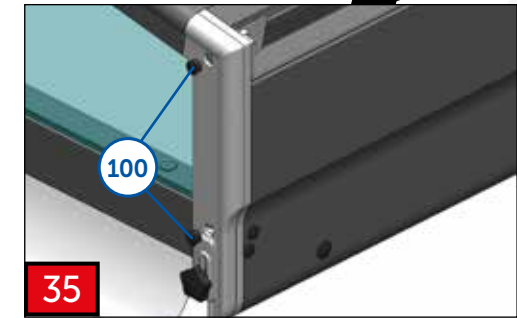
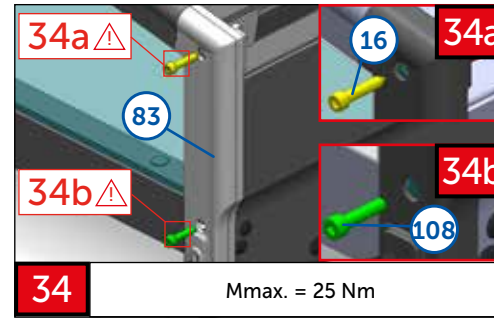
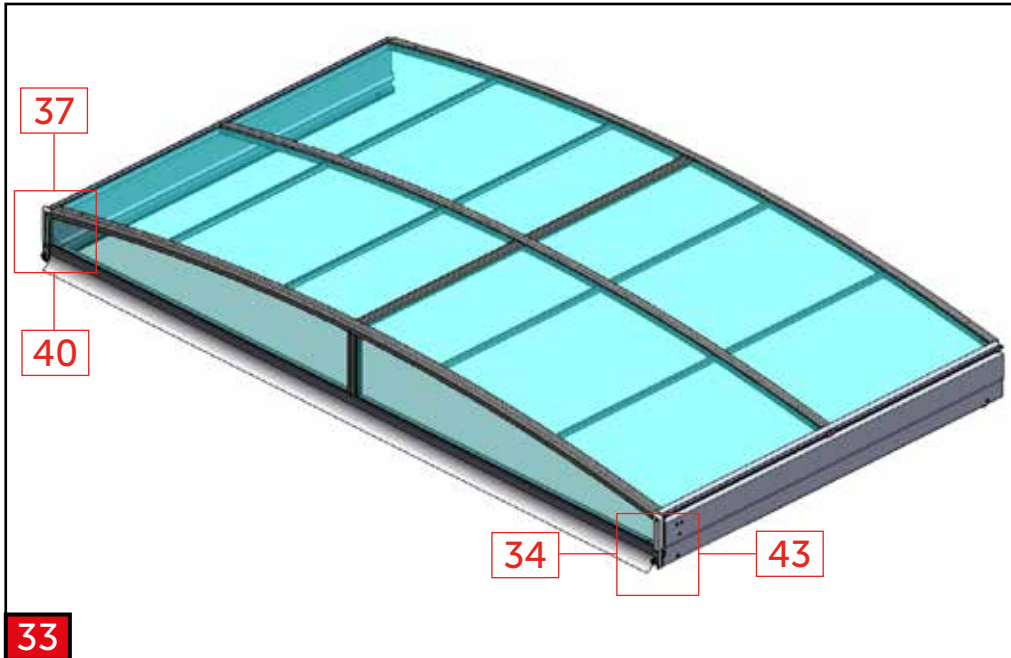


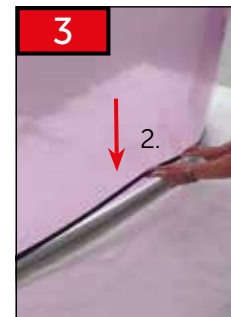
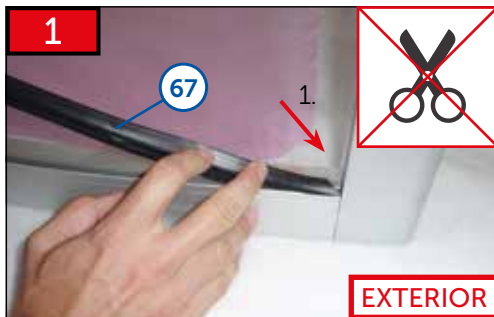
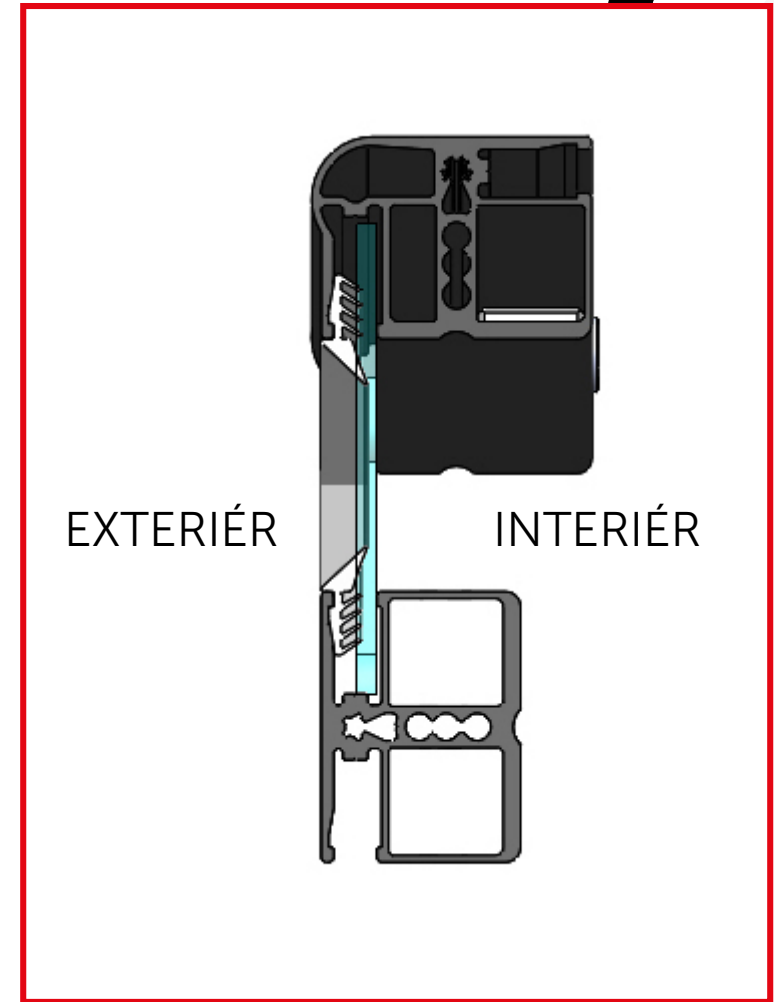
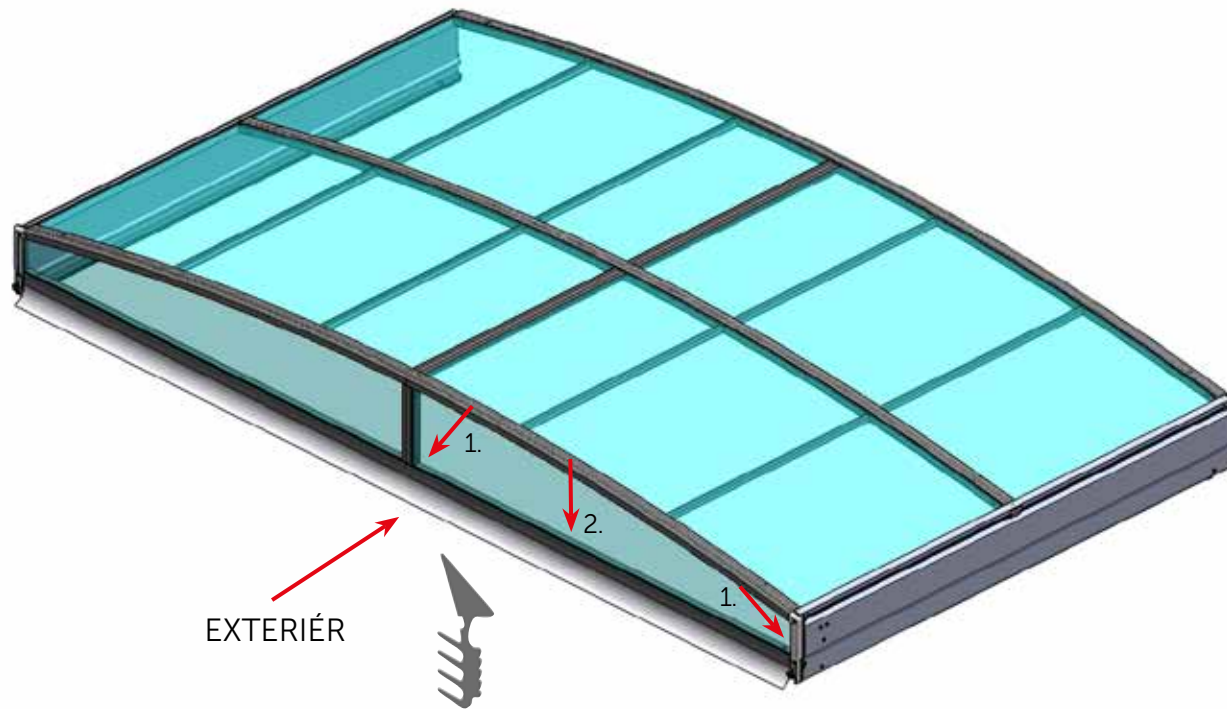


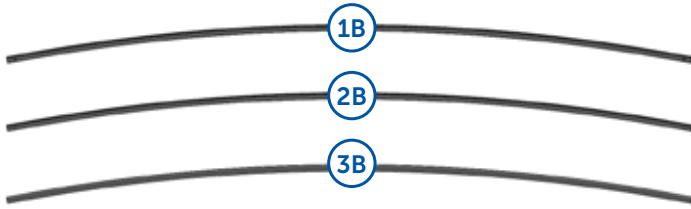


⚠ only SYDNEY CLEAR ⚠









1SP07-01-001

ø4 x 10
20x

7

1SP11-01-031

AN 9051
6,3 x 70
12x

14

1SP11-01-053

AN 9051
6,3 x 32
6x

16

1NA03-01-050

1x

17

Sydney A/ Clear A 2Z04-01-SD001	1041 mm
Sydney AS/ Clear AS 2Z04-01-SD004	906 mm

8x

36

Sydney A/ Clear A 2Z05-01-SD001	1041 mm
Sydney AS/ Clear AS 2Z05-01-SD005	906 mm

2x

37

Sydney A/ Clear A 2Z02-09-SD027	2150 mm
Sydney AS/ Clear AS 2Z02-09-SR028	1880 mm

2x

58

1SP10-01-084

ISO 7380
M 6x20
2x

92

1SZ18-02-010

2x

93

1SZ18-02-012

4x

94

1SP11-01-049

AN 9051
4,8x60
6x

95

1SP10-01-078

DIN 912
M 6x65
4x

96

1SP10-01-082

DIN 912
M 6x100
4x

97

1SZ03-01-038

2x

98

1SZ03-01-030

4x

99

1SZ12-01-010

8x

100

1SP10-01-025

DIN912
M6x25
2x

108

MODUL B

Sydney A/ Clear A 2Z02-09-SR003	2150 mm
Sydney AS/ Clear AS 2Z02-09-SR013	1880 mm

"KL" = "KP"

1x

54

MODUL B

Sydney A/ Clear A 2Z02-09-SR004	2150 mm
Sydney AS/ Clear AS 2Z02-09-SR014	1880 mm

"KL" = "KP"

1x

55

Sydney A/ Clear A	1859 x 1050 mm
Sydney AS/ Clear AS	1859 x 915 mm

MODUL B

4x

61

MODUL B

2Z09-01-SD072

1x

76

MODUL B

2Z09-01-SD073

1x

77

MODUL B

2Z09-01-SD074

1x

78

MODUL B

2Z09-01-SD075

1x

79

MODUL B

1x

1SZ18-02-001D

OPTIONAL "KL"

3

MODUL B

1x

1SZ18-02-002D

OPTIONAL "KP"

4

Pomocný držák pro montáž modulu
Auxiliary holder for the assembly of module
Zusätzliche Halterung für die Modulmontage
Support auxiliaire pour l'assemblage du module
Вспомогательный держатель для сборки модуля

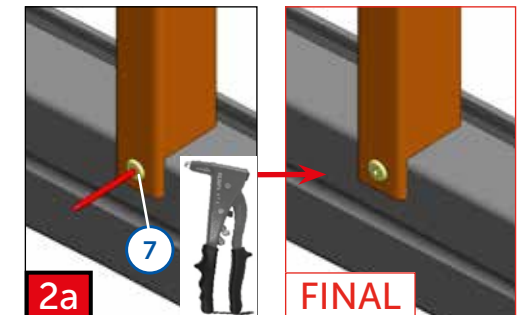
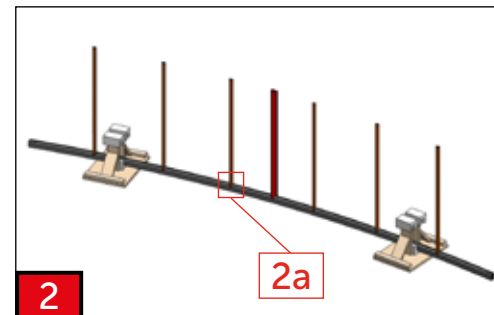
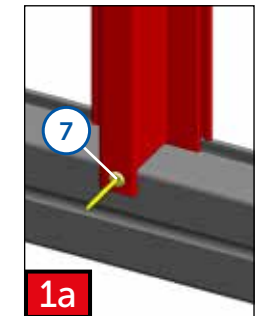
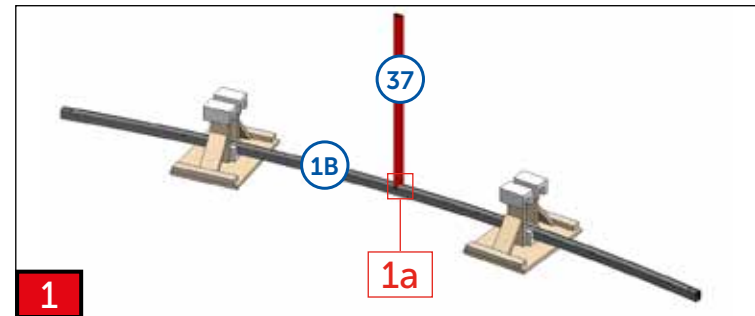
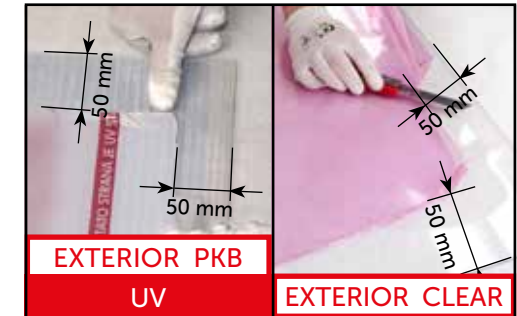
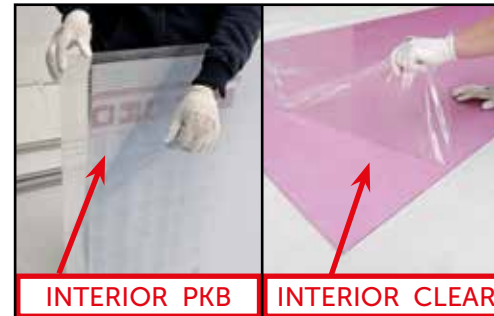
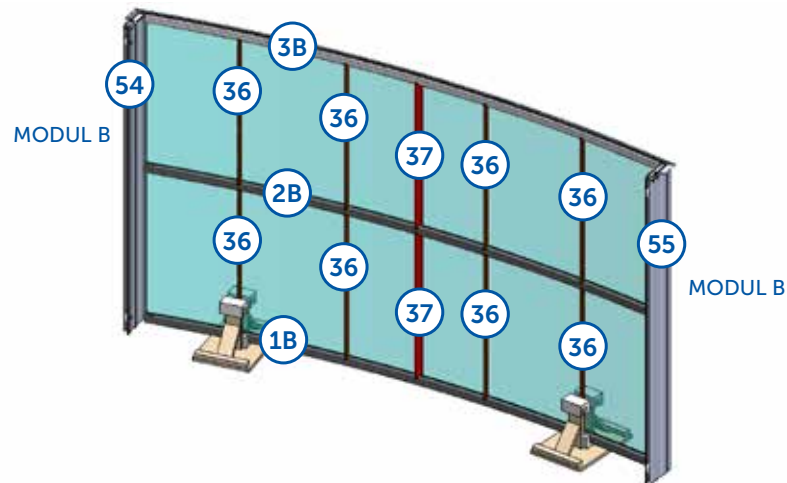
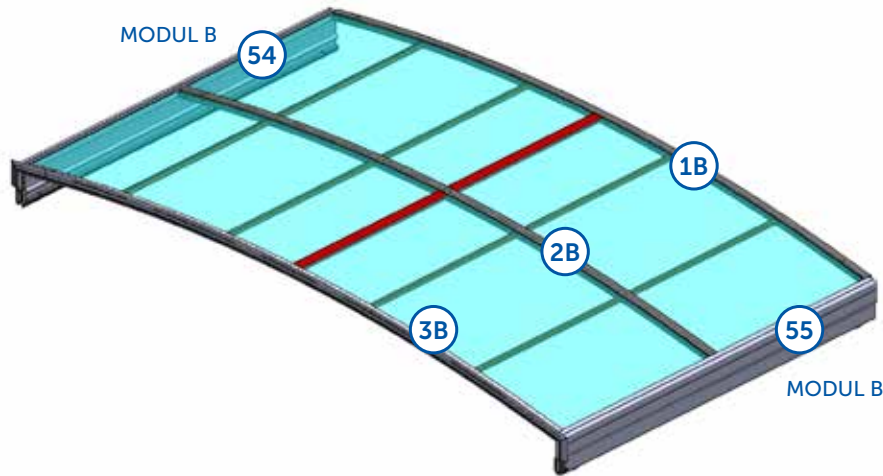
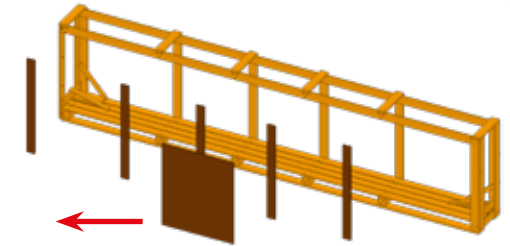


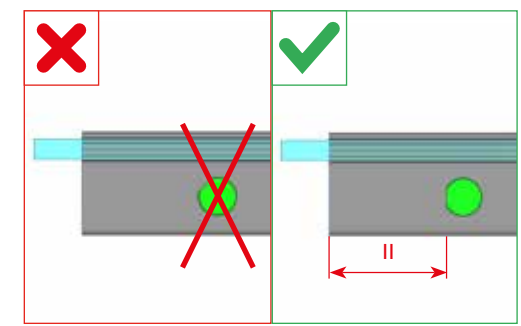
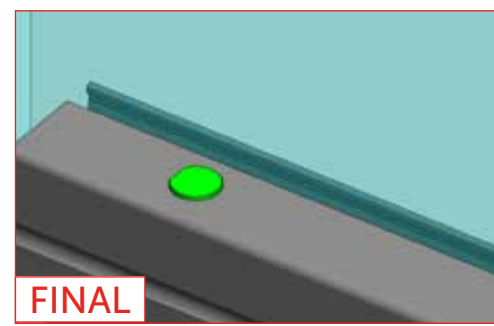
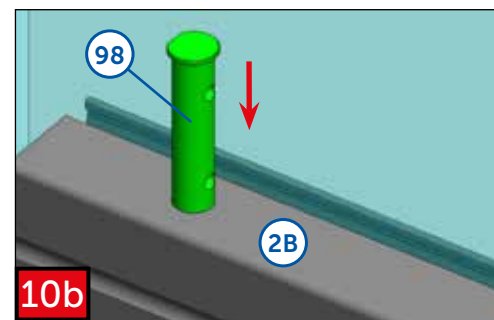
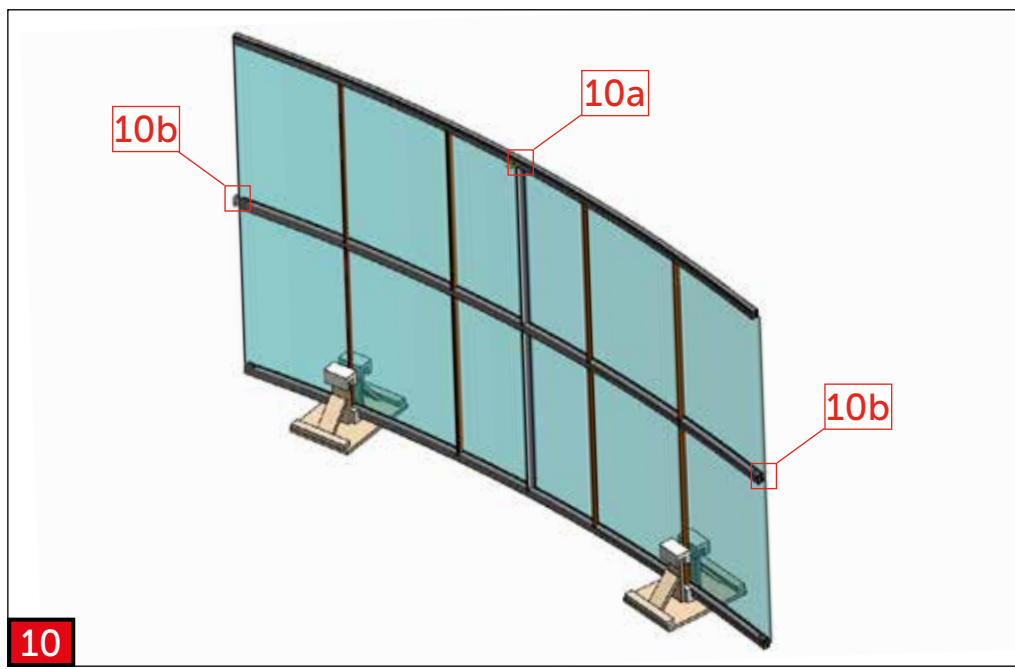
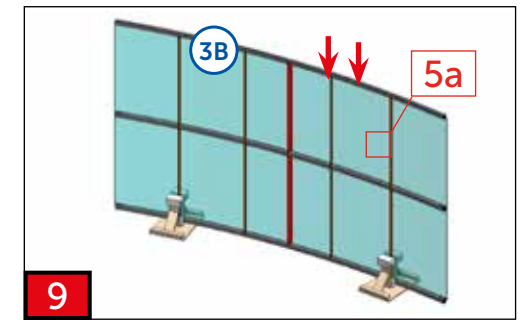
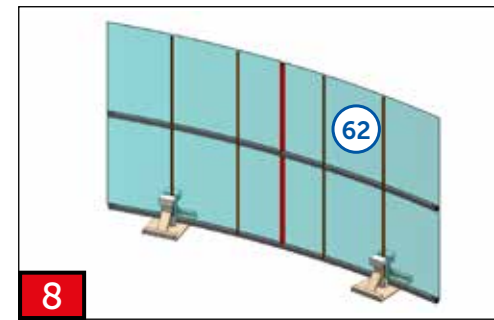
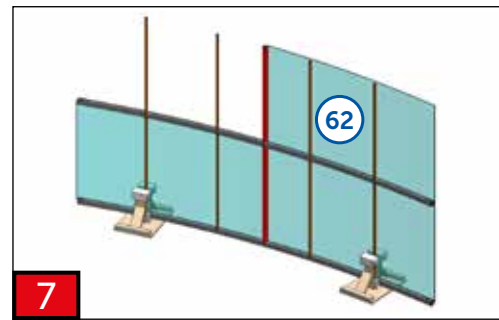
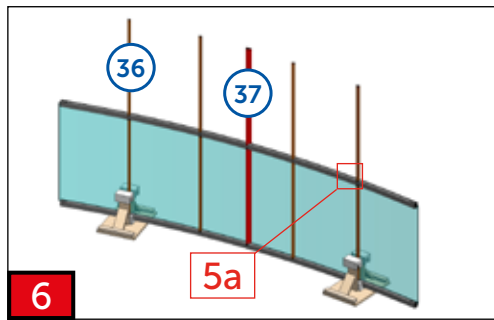
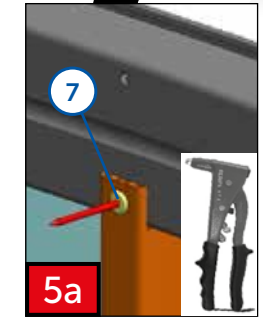
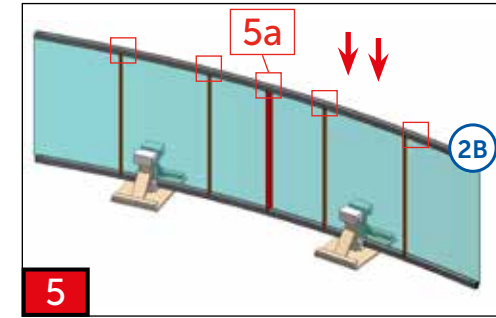
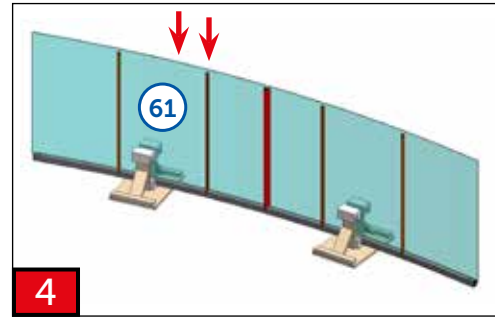
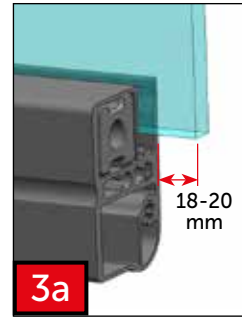
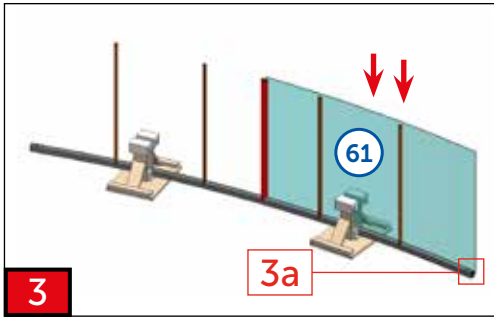
Nutné zajistit modul proti překlopení. Doporučujeme vyrobit držák z balení (prkna + výložky) nebo zajistit jiným způsobem.
 The module must be secured against falling. We recommend that you make a holder from the transport box (boards + foam liner) or that you secure the module in other safe way.

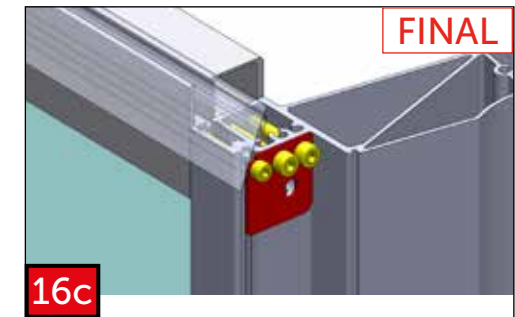
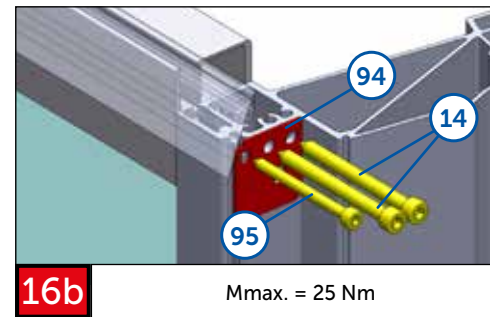
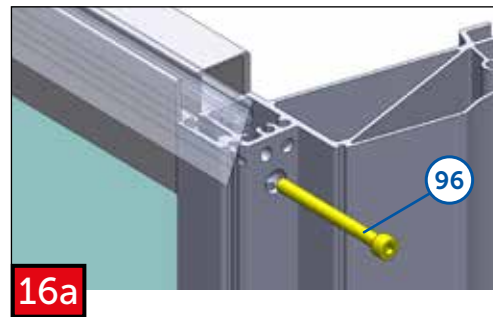
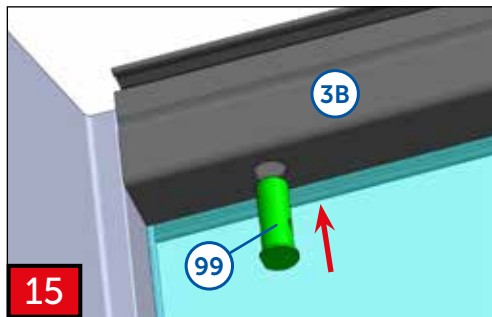
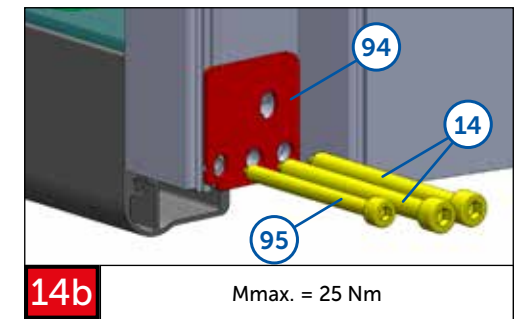
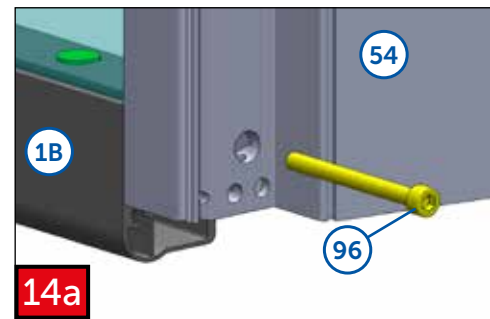
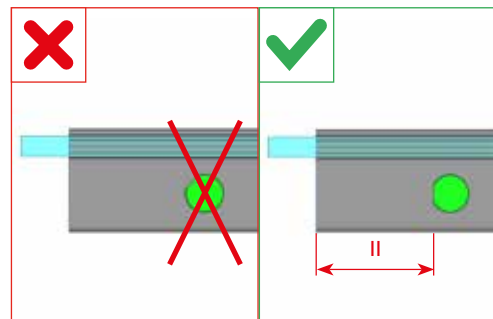
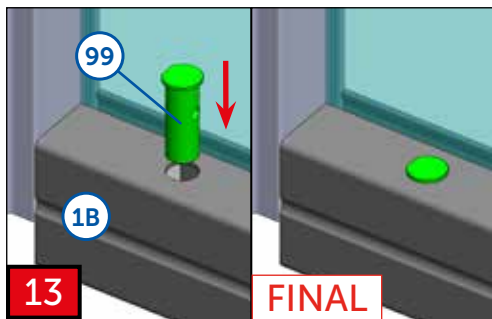
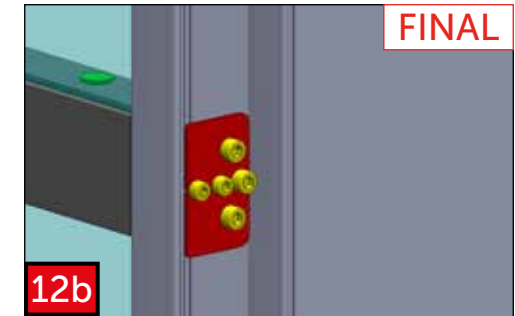
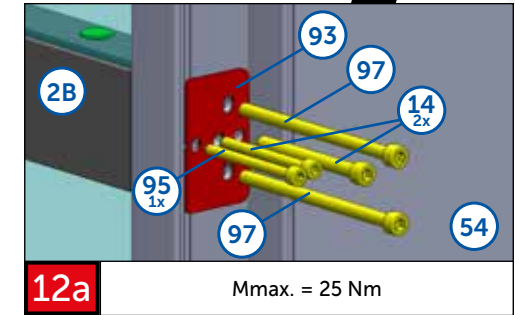
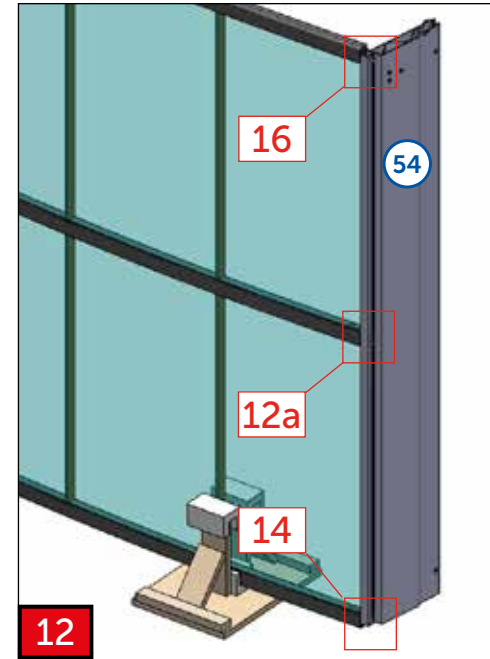
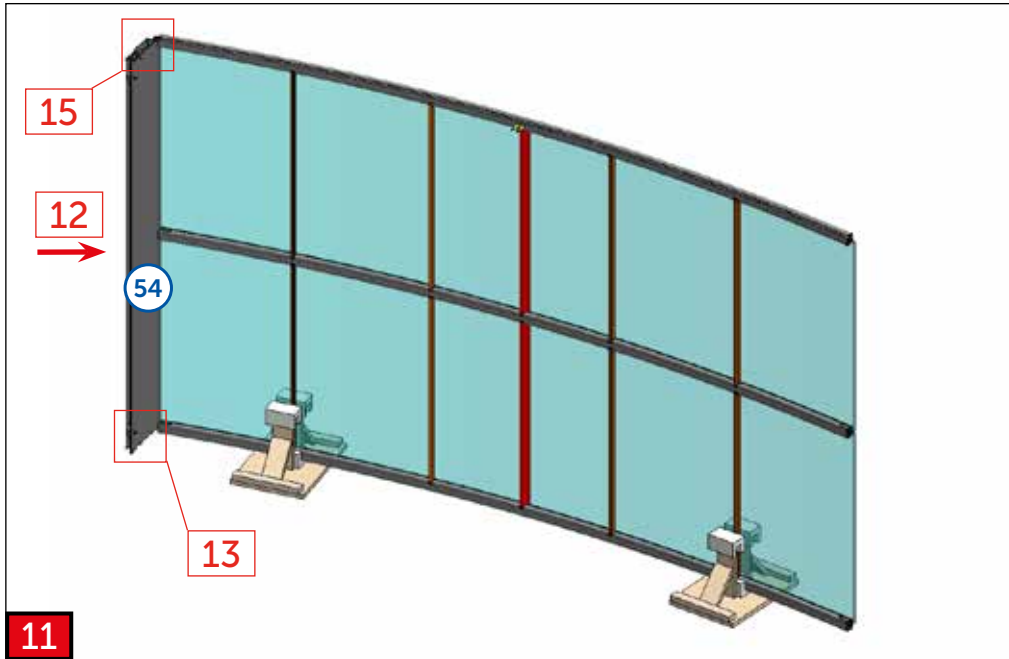
Das Modul muss gegen Umkippen gesichert werden.
 Wir empfehlen, einen Halter aus der Verpackung (Bretter + Liner) zu machen oder das Modul auf andere Weise zu sichern.

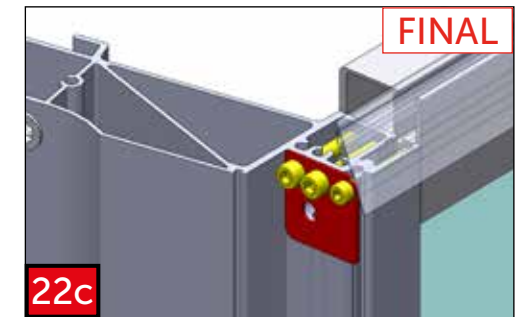
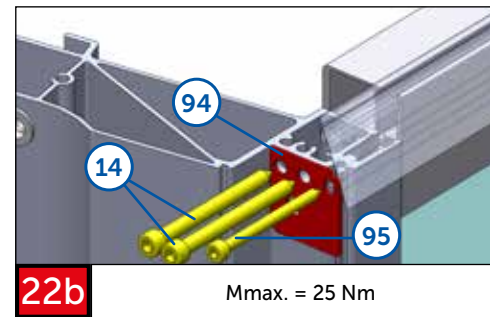
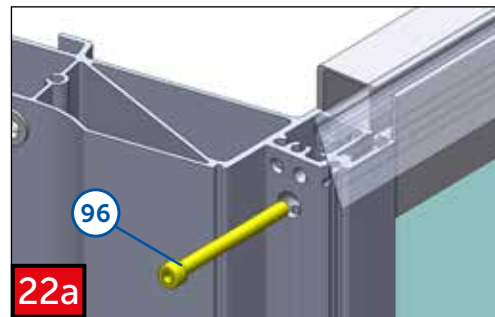
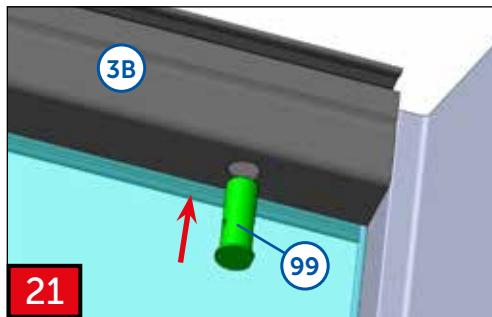
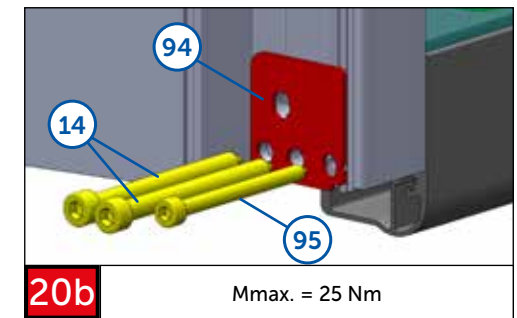
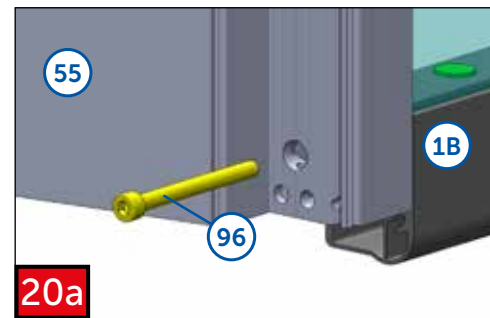
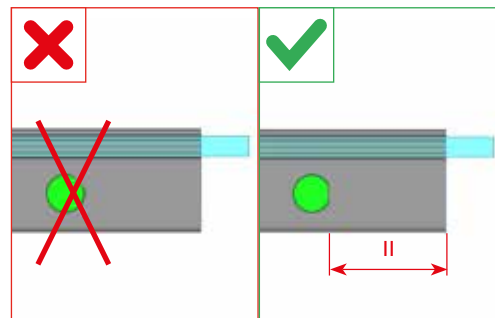
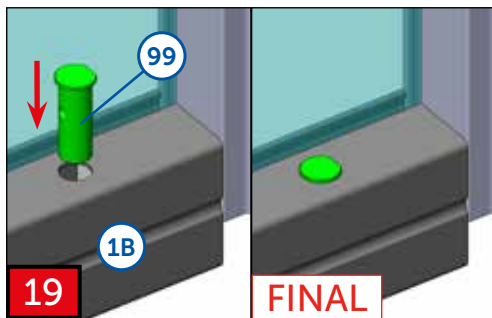
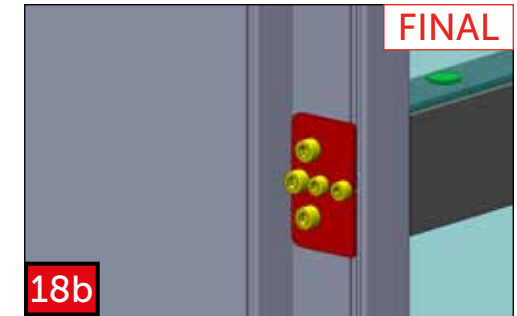
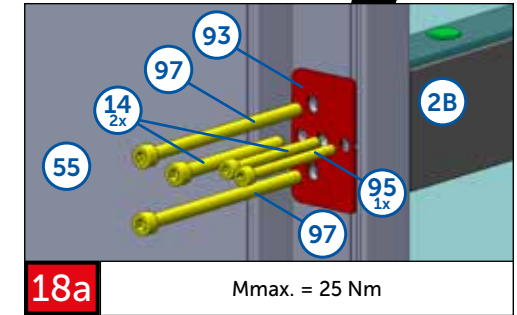
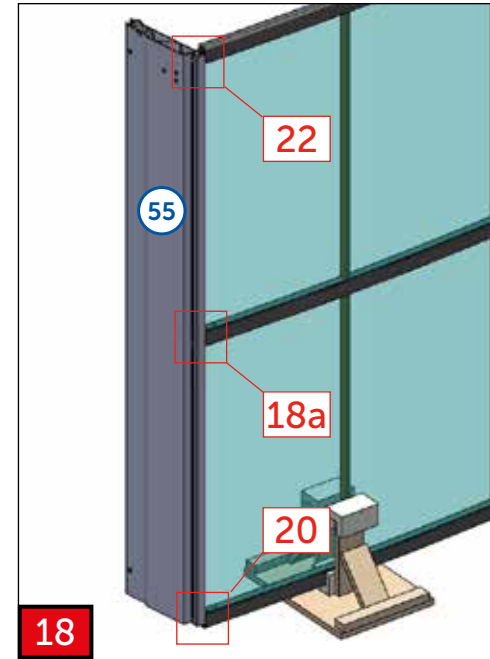
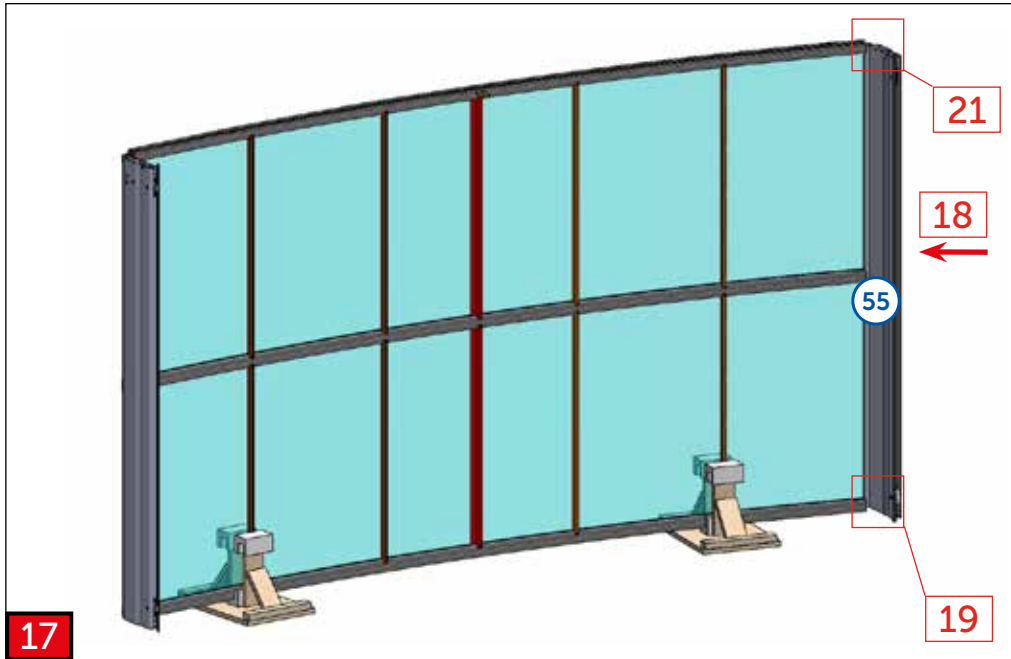
Il est nécessaire d'assurer le module contre son renversement.
 Nous recommandons de fabriquer le support de l'emballage (les planches + les parements) ou de l'assurer autrement.

Необходимо обезопасить модуль от опрокидывания.
 Мы рекомендуем сделать держатель из упаковки (доски + вкладыши) или закрепить его другим способом.

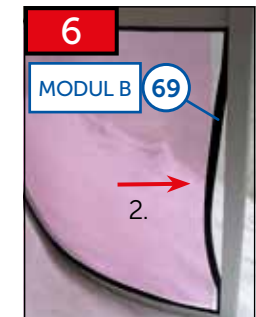
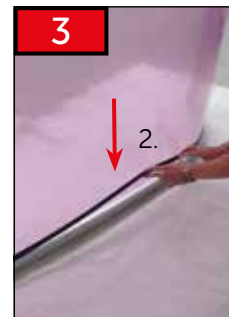
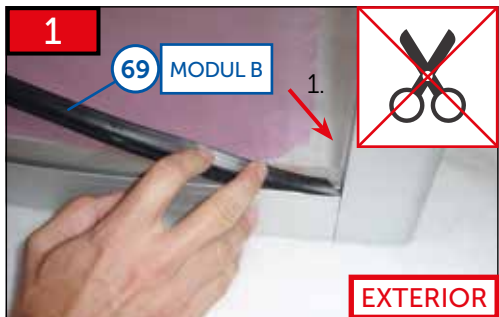
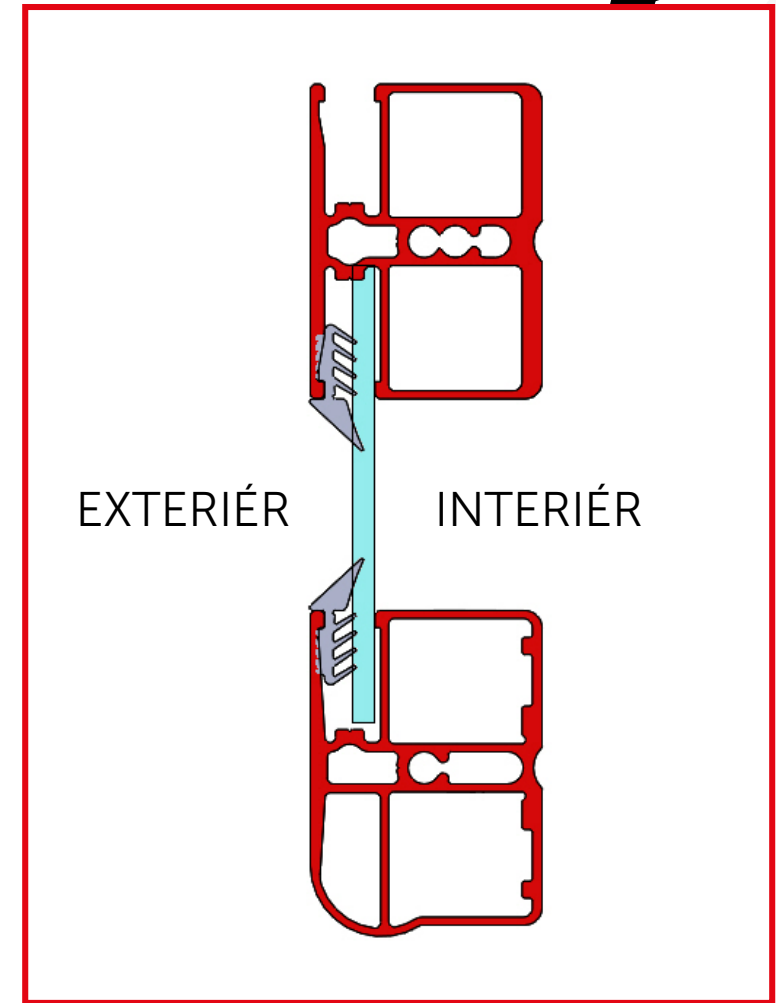
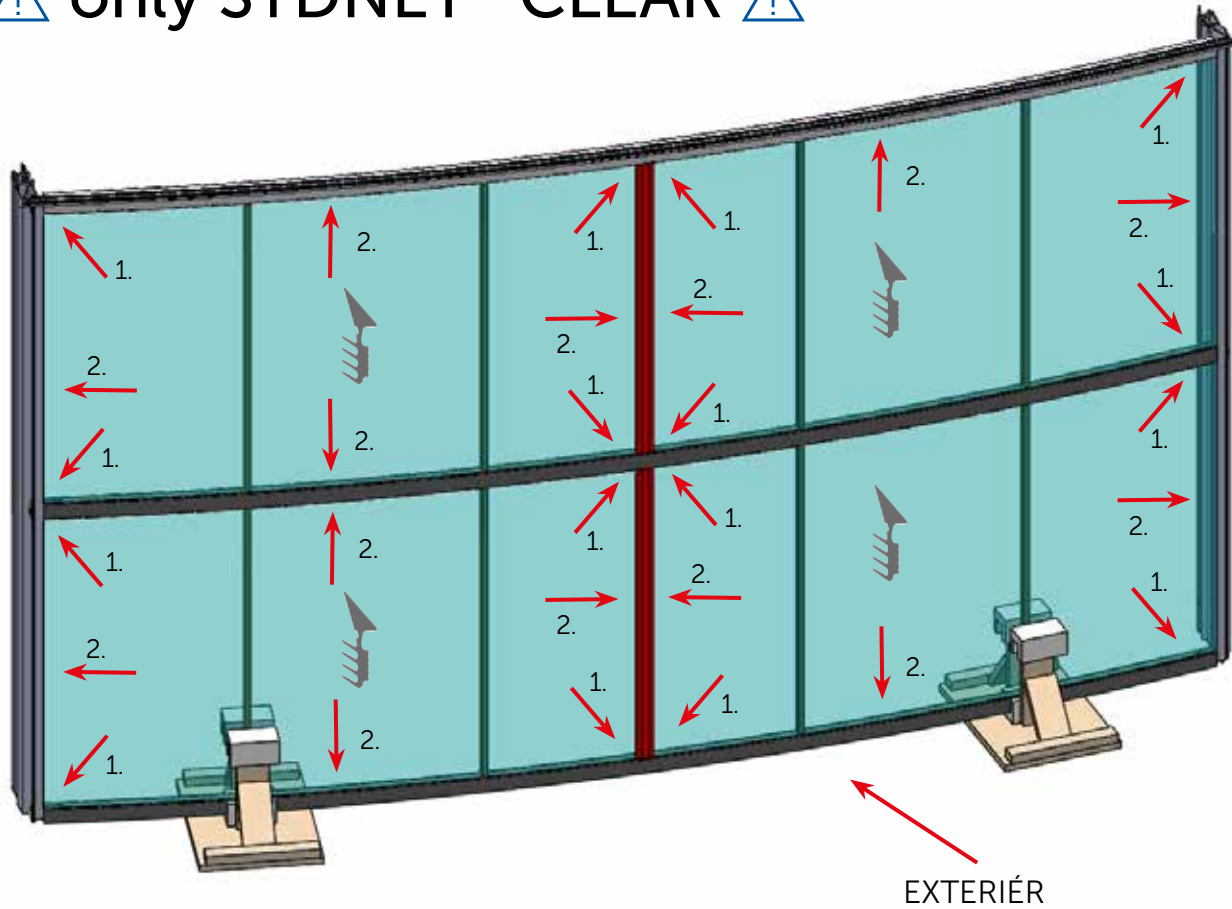


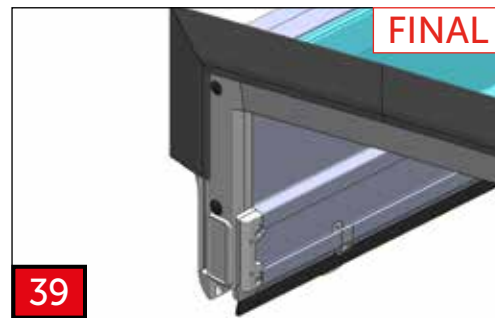
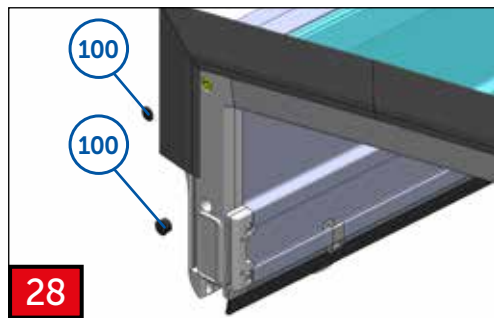
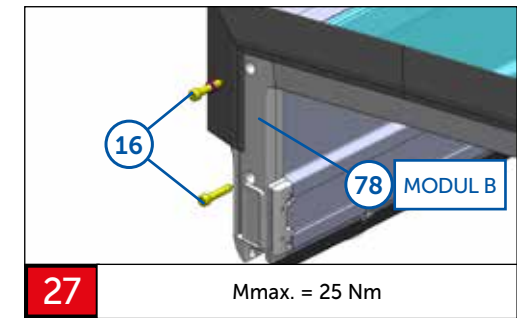
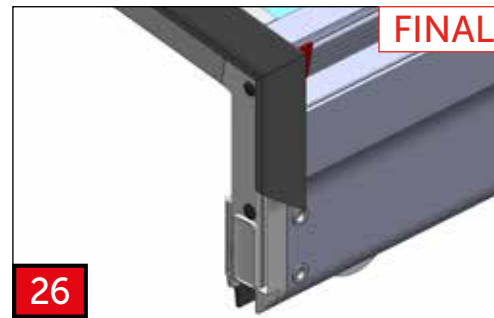
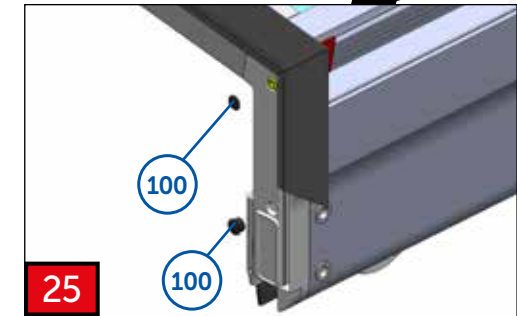
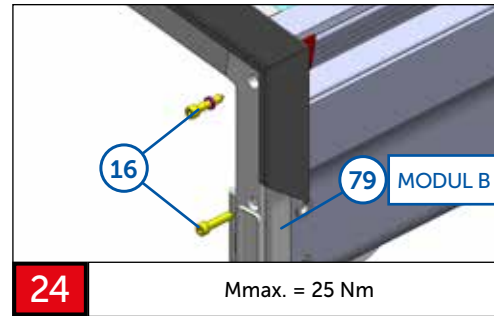
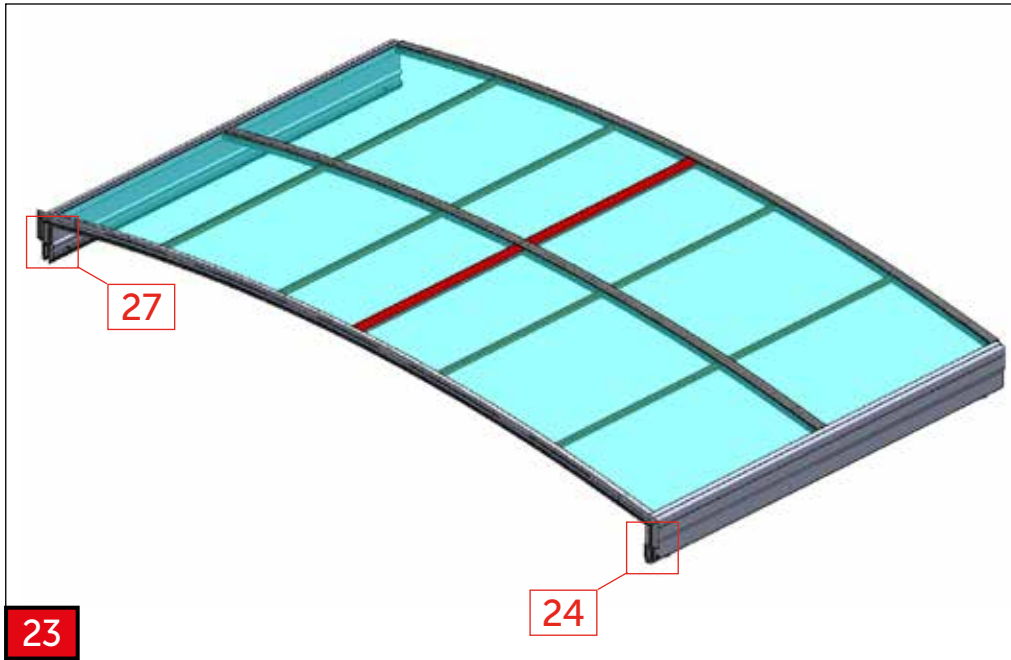


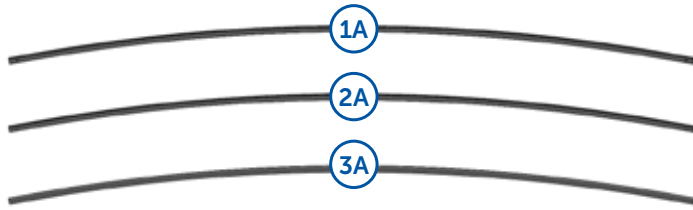




⚠ only SYDNEY CLEAR ⚠







1SP07-01-001

ø4 x 10

20x

7

1SZ03-01-035

DIN 914

M6x14

2x

8

1SZ29-01-008

2x

11

1SZ03-01-040

2x

12

1SP11-01-029

AN 9051

6,3 x 50

1x

13

1SP11-01-031

AN 9051

6,3 x 70

13x

14

1SP11-01-027

AN 9051

6,3 x 38

2x

15

1SP11-01-053

AN 9051 A4

6,3 x 32

6x

16

1NA03-01-050

1x

17

Sydney A/ Clear A 2Z04-01-SD001	1041 mm
Sydney AS/ Clear AS 2Z04-01-SD004	906 mm

8x

36

Sydney A/ Clear A 2Z05-01-SD001	1041 mm
Sydney AS/ Clear AS 2Z05-01-SD005	906 mm

2x

37

2Z12-01-DP020

193 mm

1x

45

2Z12-01-DP019

3549 mm

1x

47

"KL" = "KP"

Sydney A/ Clear A 2Z02-09-SR001	2150 mm
Sydney AS/ Clear AS 2Z02-09-SR011	1880 mm

1x

56

"KL" = "KP"

Sydney A/ Clear A 2Z02-09-SR002	2150 mm
Sydney AS/ Clear AS 2Z02-09-SR012	1880 mm

1x

57

Sydney A/ Clear A 2Z02-09-SD027	2150 mm
Sydney A/ Clear A 2Z02-09-SR028	1880 mm

2x

58

Sydney A/ Clear A	1929 x 1050 mm
Sydney AS/ Clear AS	1929 x 915 mm

MODULA

4x

60

2x

64

2x

66

2Z09-01-SD078

1x

MODULA

74


2Z09-01-SD079

1x

MODULA

75


1SP10-01-077



DIN 912
M 5x65
2x

91


1SP10-01-084



ISO 7380
M 6x20
4x

92


1SZ18-02-010



2x

93


1SZ18-02-012



4x

94


1SP11-01-049



AN 9051
4,8x60
6x

95


1SP10-01-078



DIN 912
M 6x65
4x

96


1SP10-01-082



DIN 912
M 6x100
4x

97


1SZ03-01-038



2x

98

1SZ03-01-030



4x

99


1SZ12-01-010



8x

100


1SZ12-01-052



2x

104


1SZ12-01-051



2x

10

1SP10-01-025



DIN912
M6x25
2x

108

2Z09-01-SD076



1x

72



2Z09-01-SD077




1x

73




1SZ18-02-001D



1x

3



1SZ18-02-002D



1x

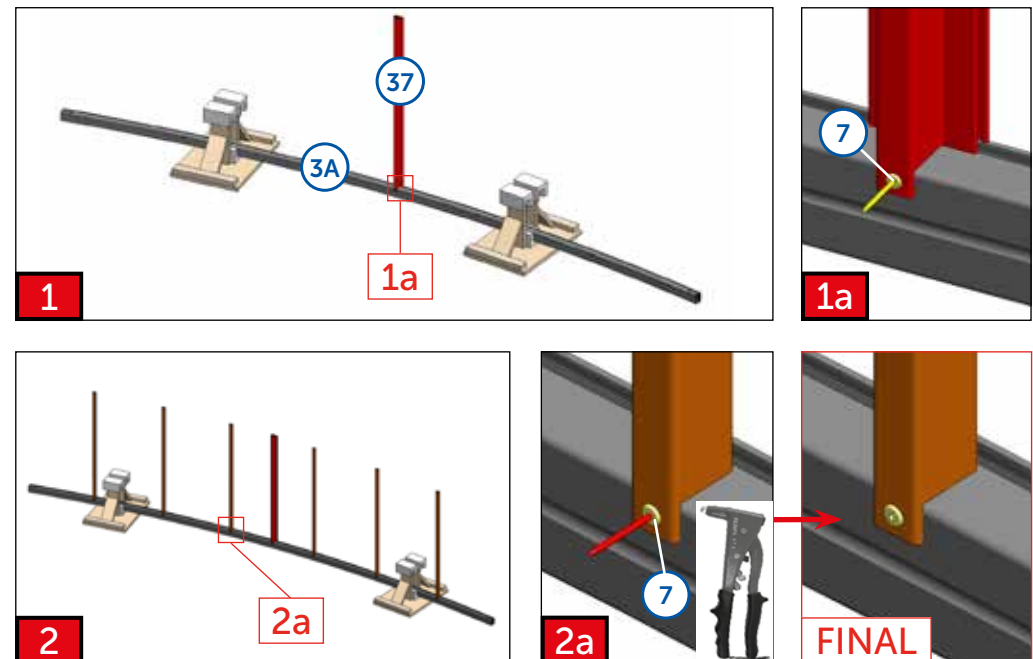
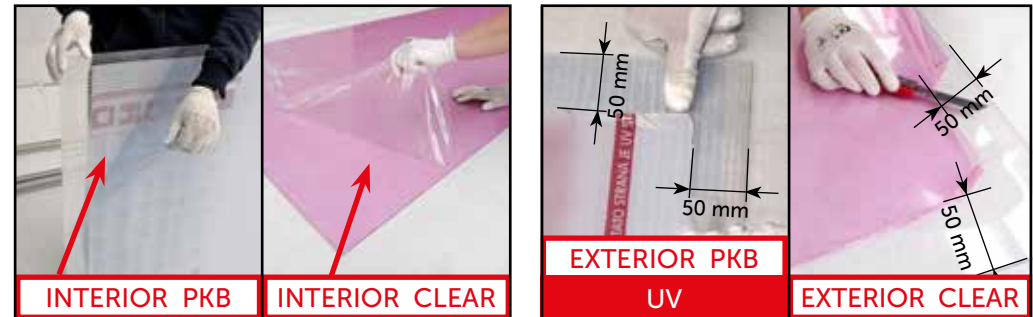
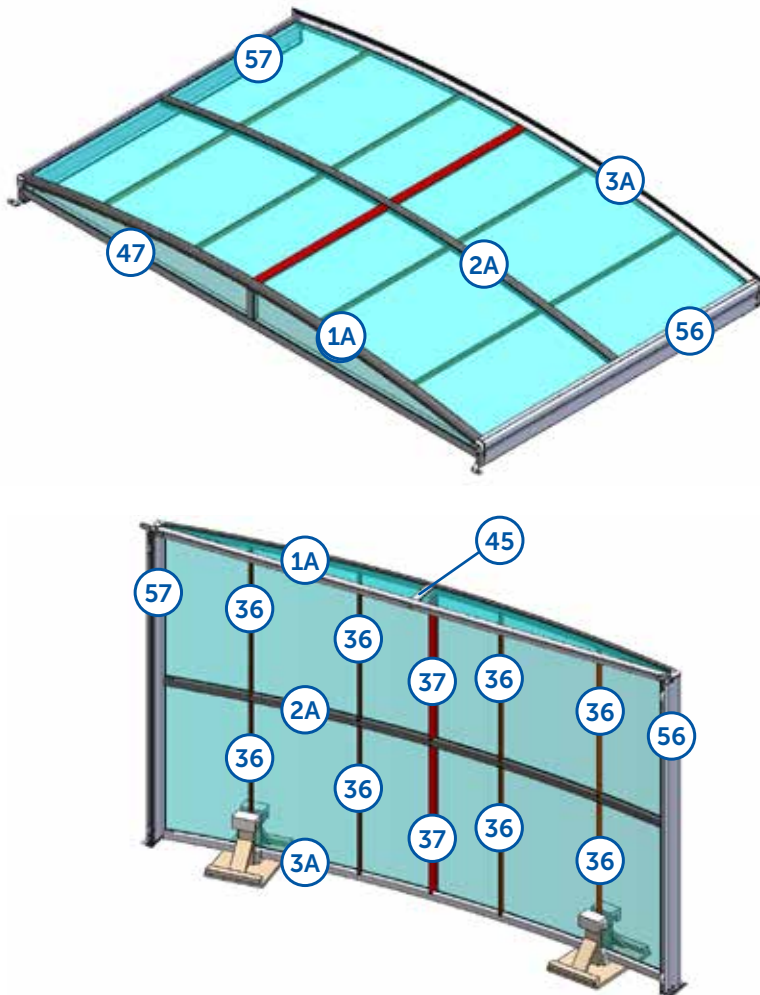
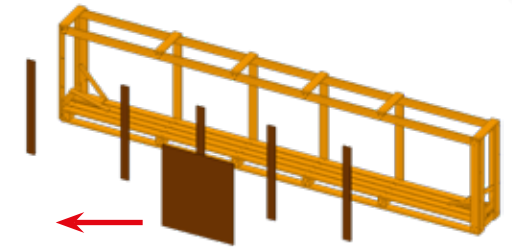
4

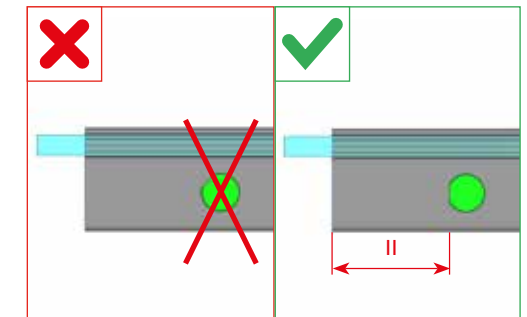
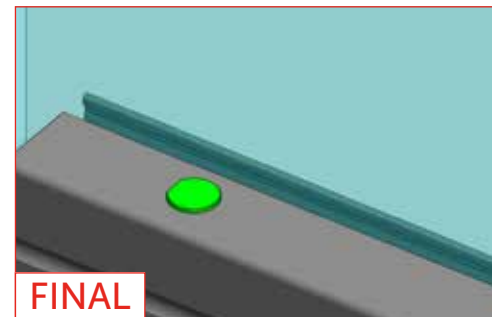
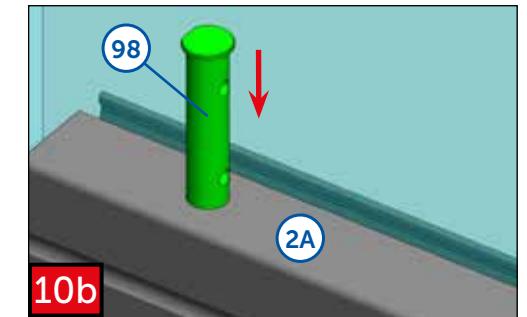
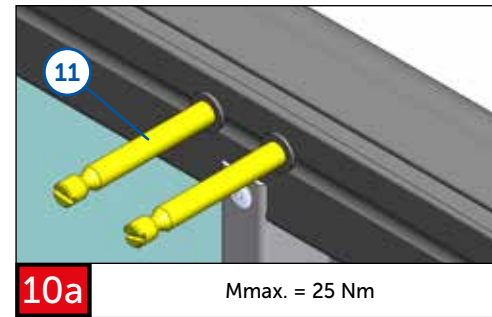
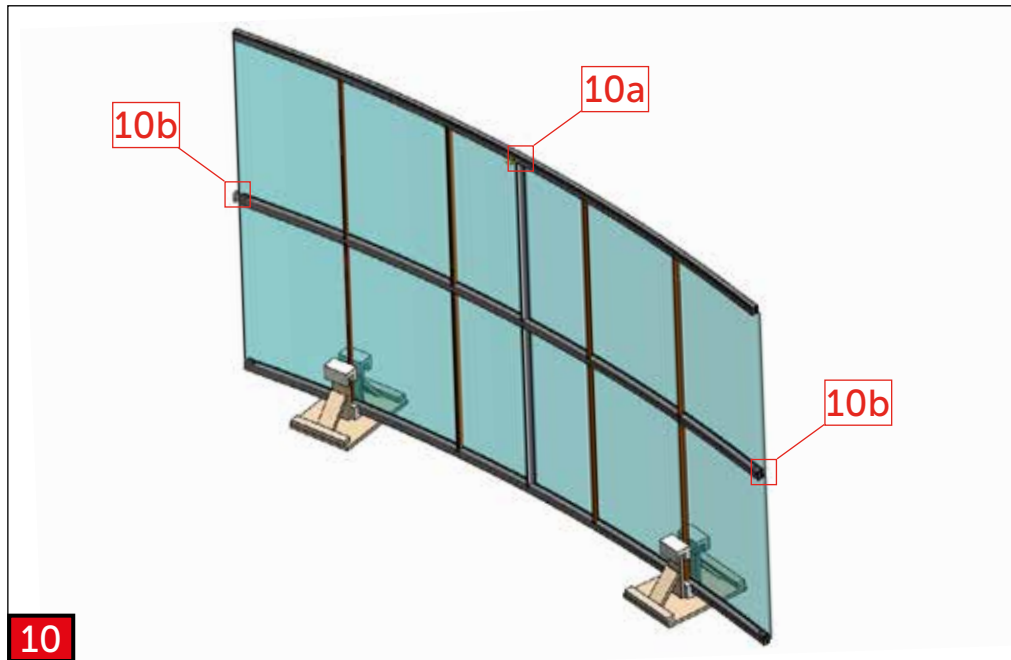
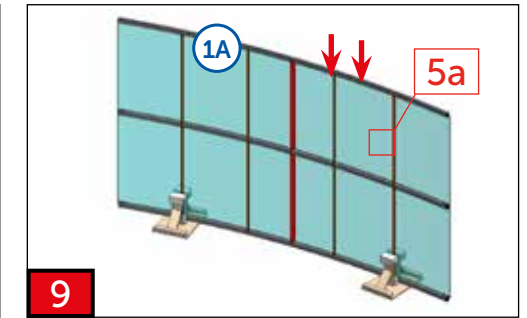
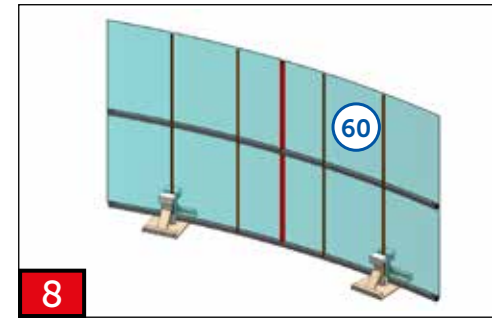
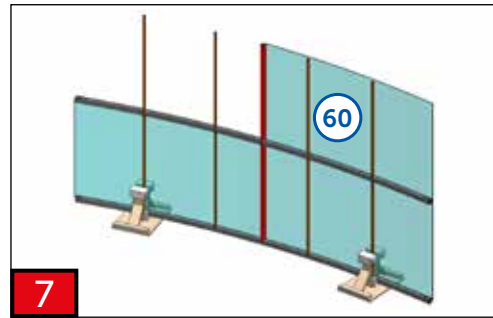
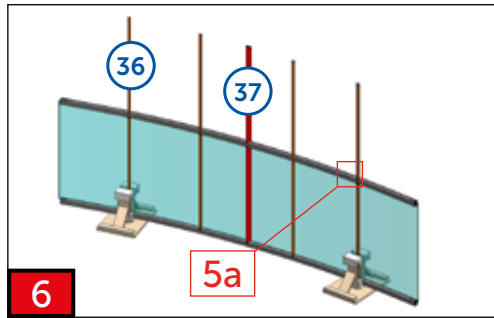
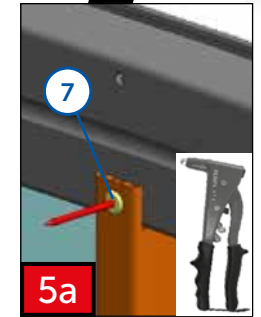
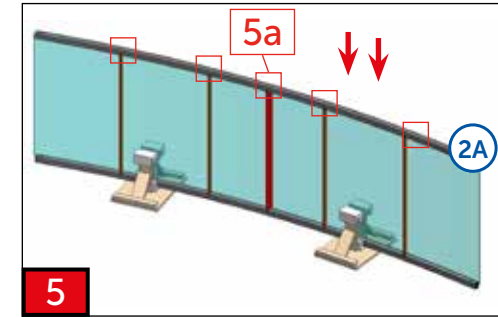
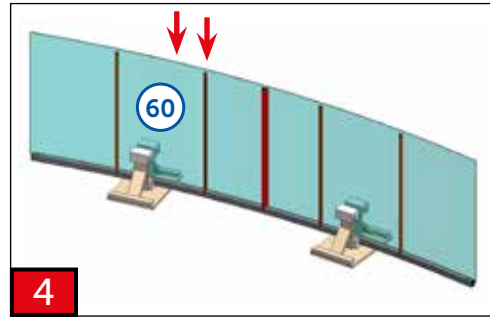
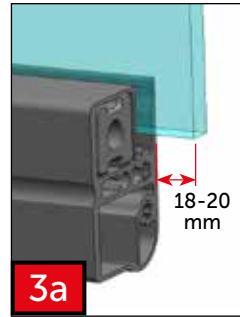
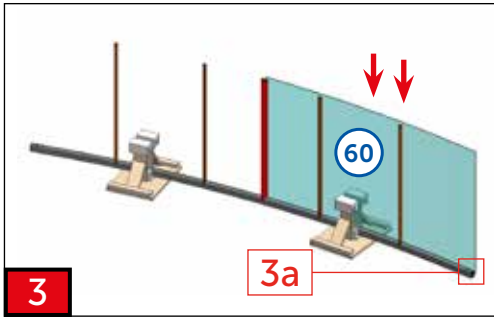


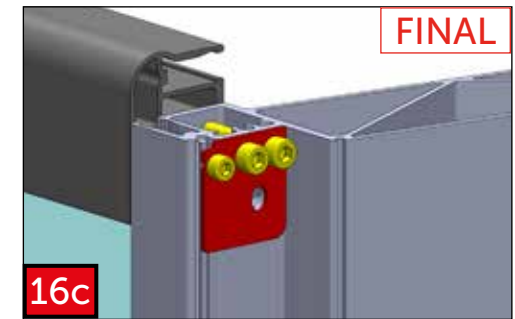
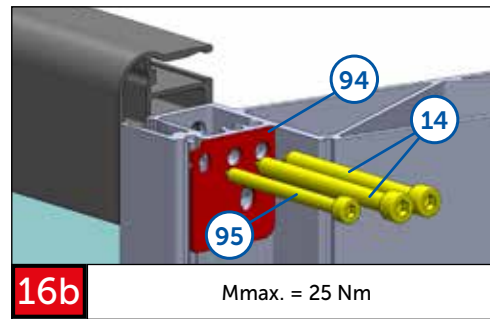
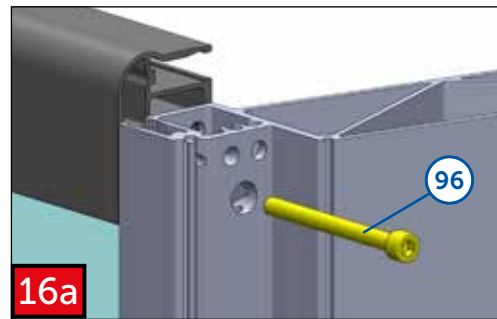
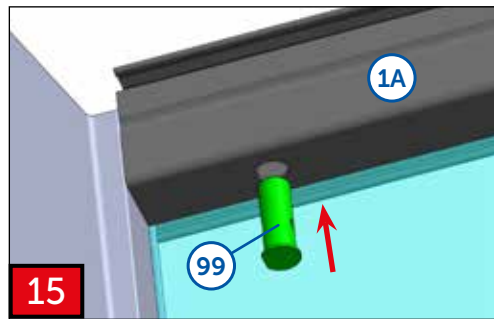
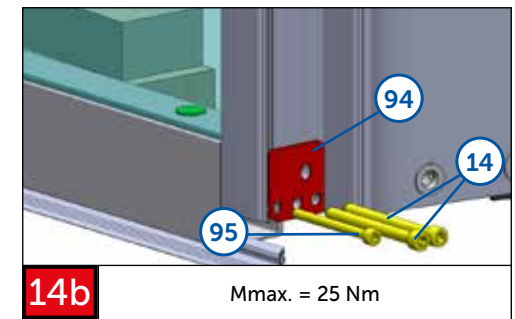
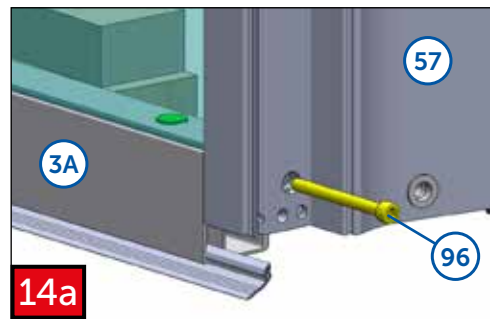
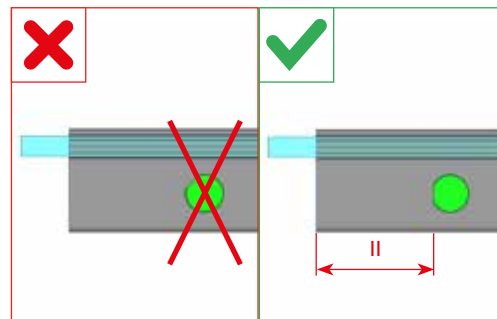
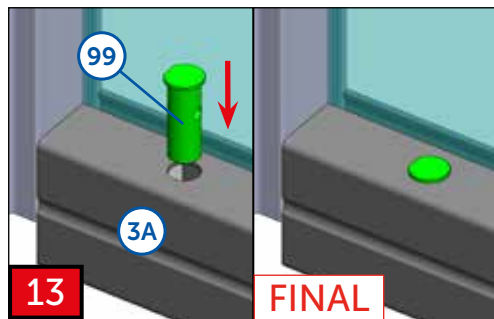
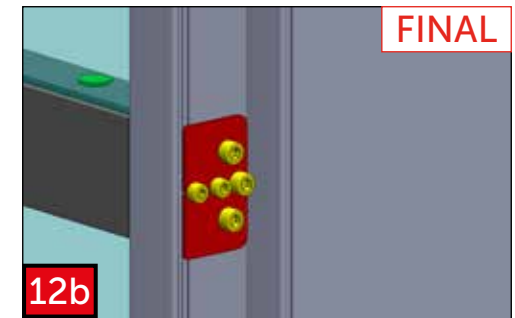
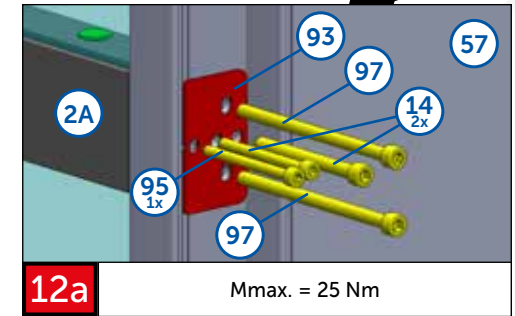
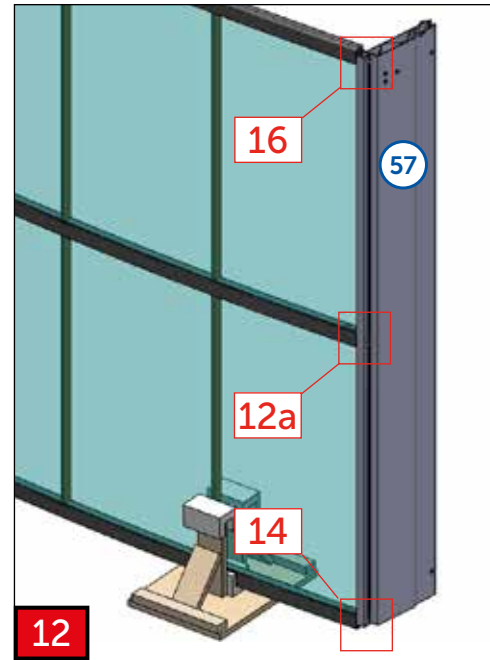
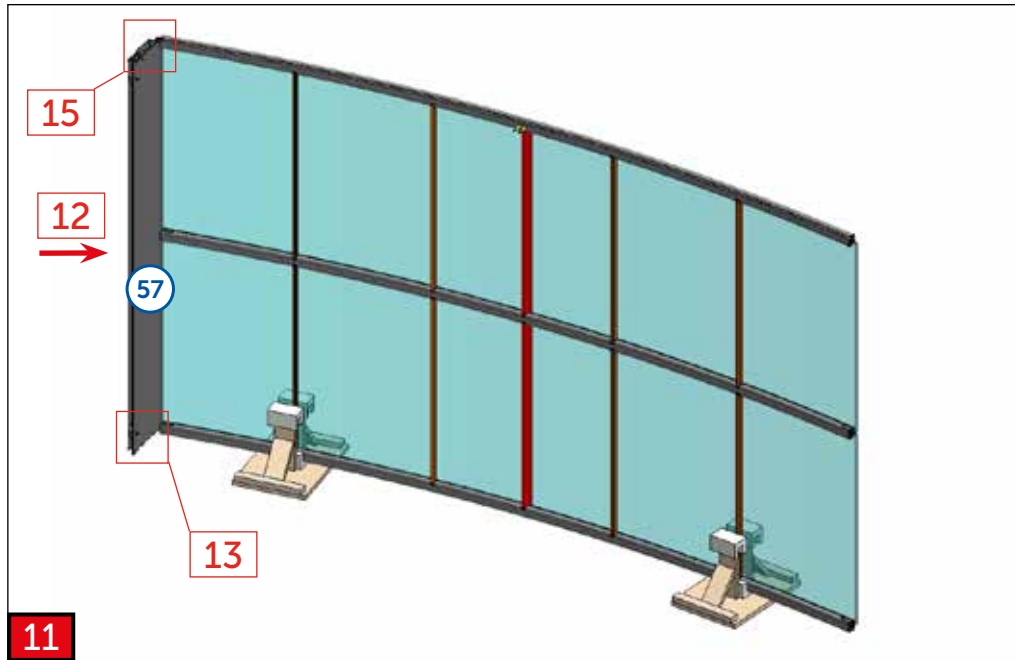
Pomocný držák pro montáž modulu
Auxiliary holder for the assembly of module
Zusätzliche Halterung für die Modulmontage
Support auxiliaire pour l'assemblage du module
Вспомогательный держатель для сборки модуля

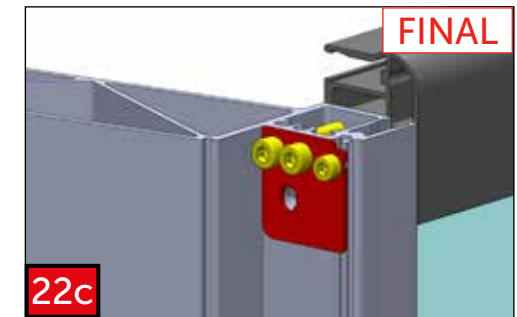
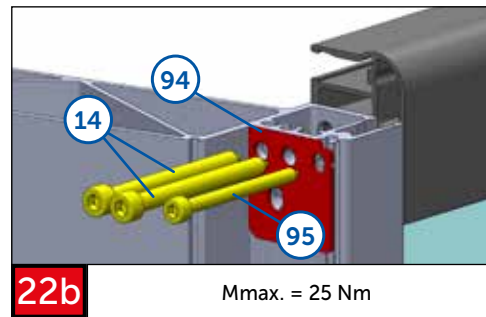
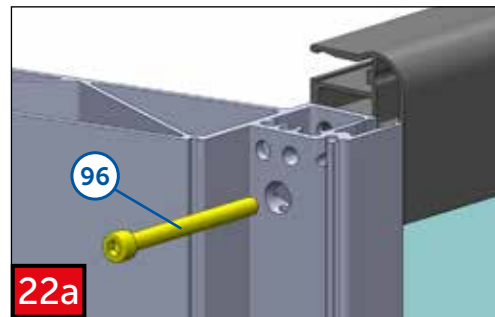
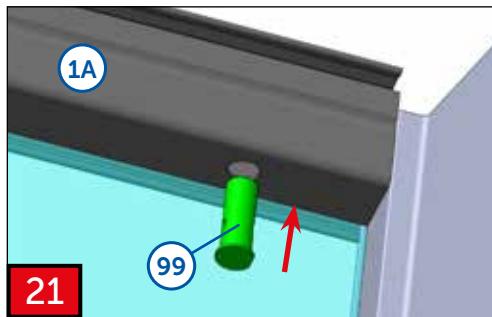
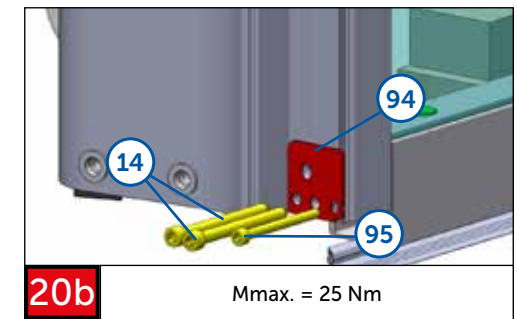
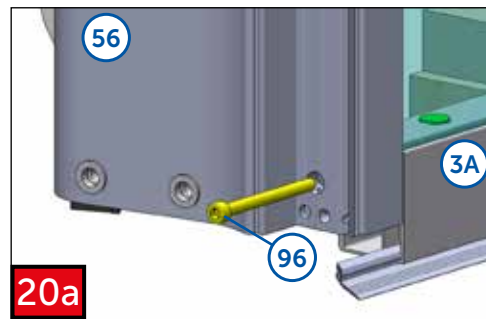
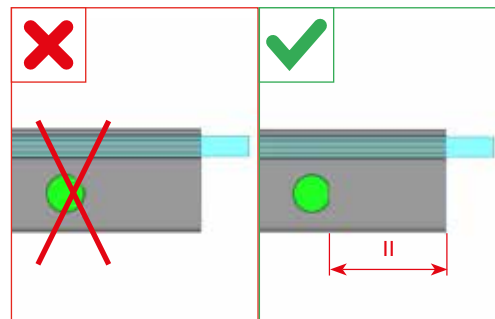
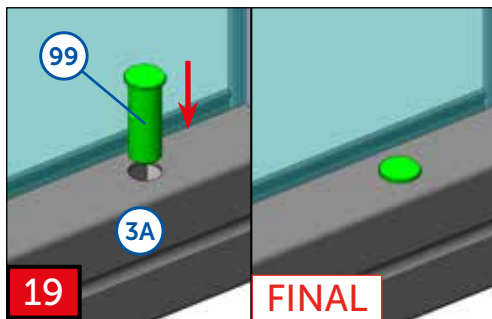
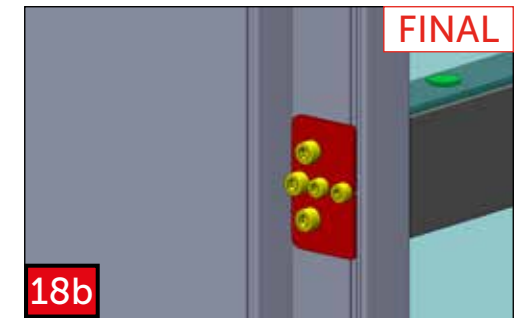
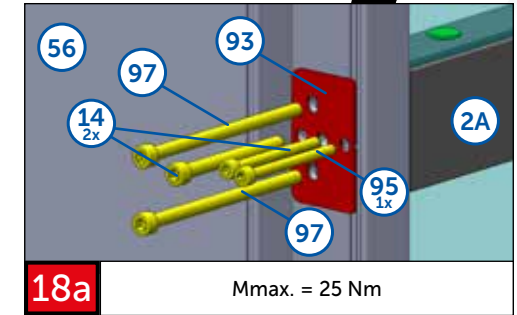
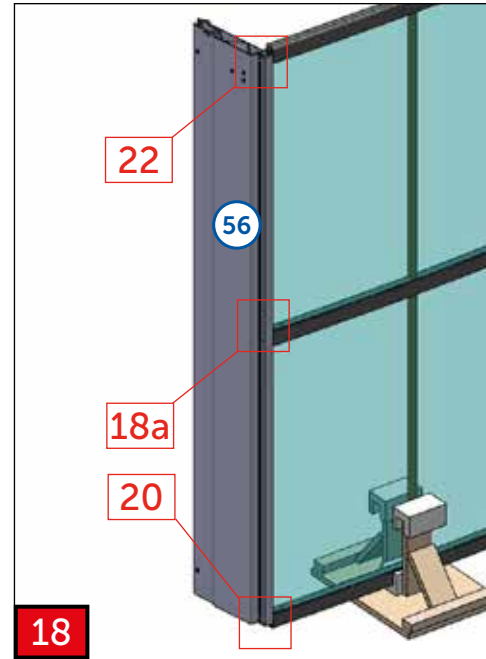
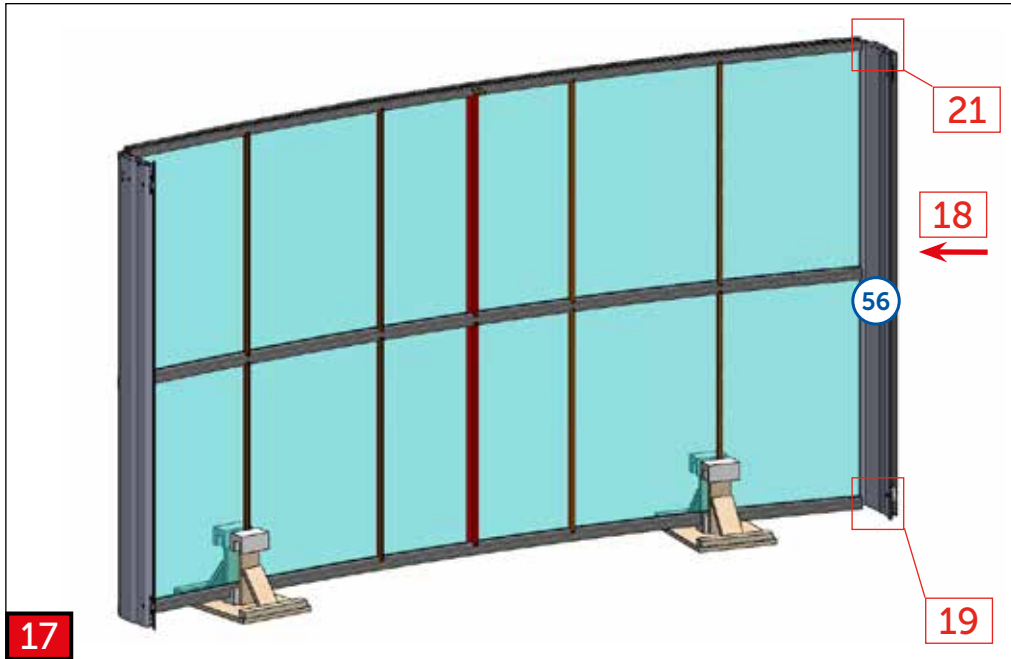


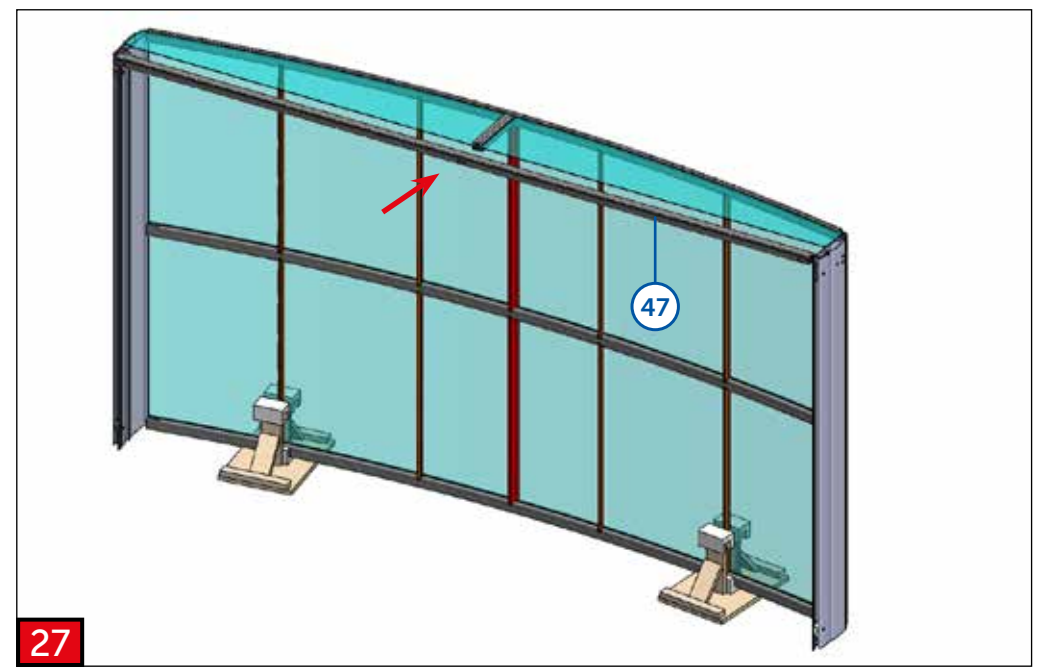
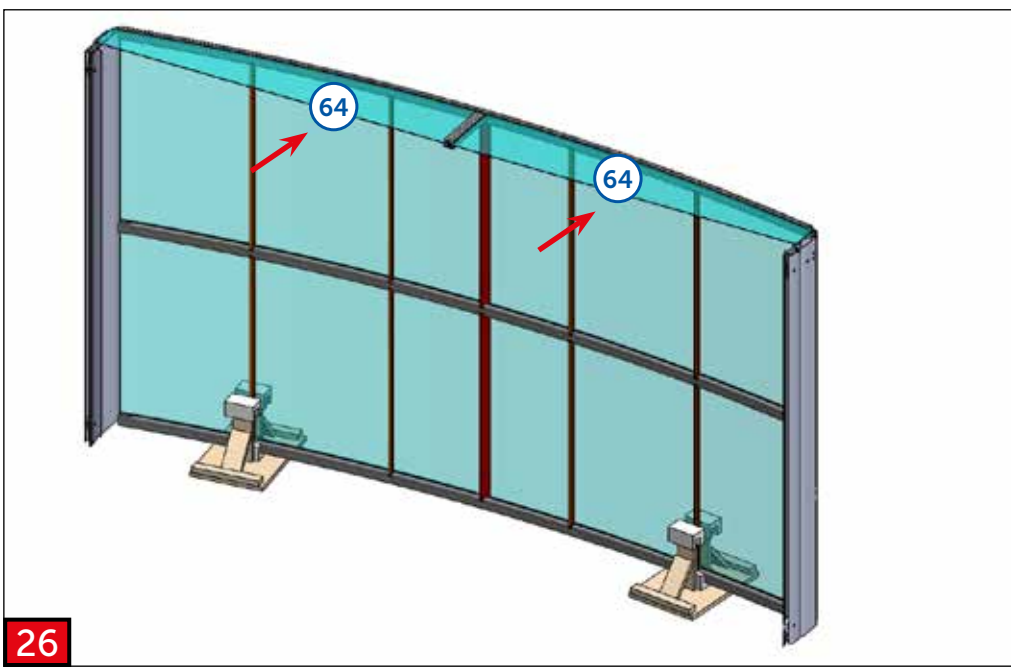
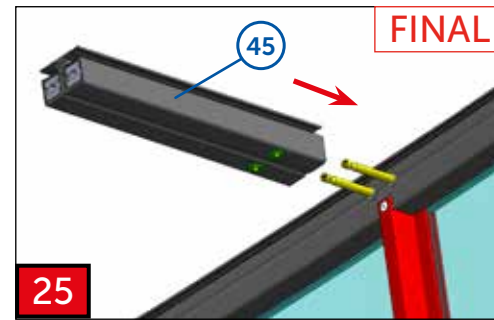
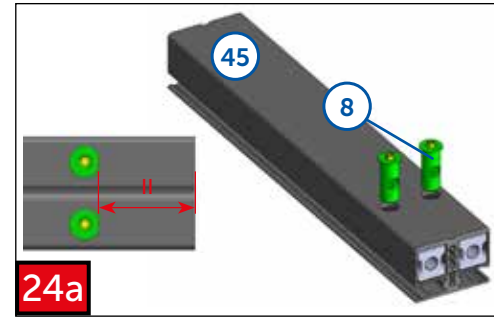
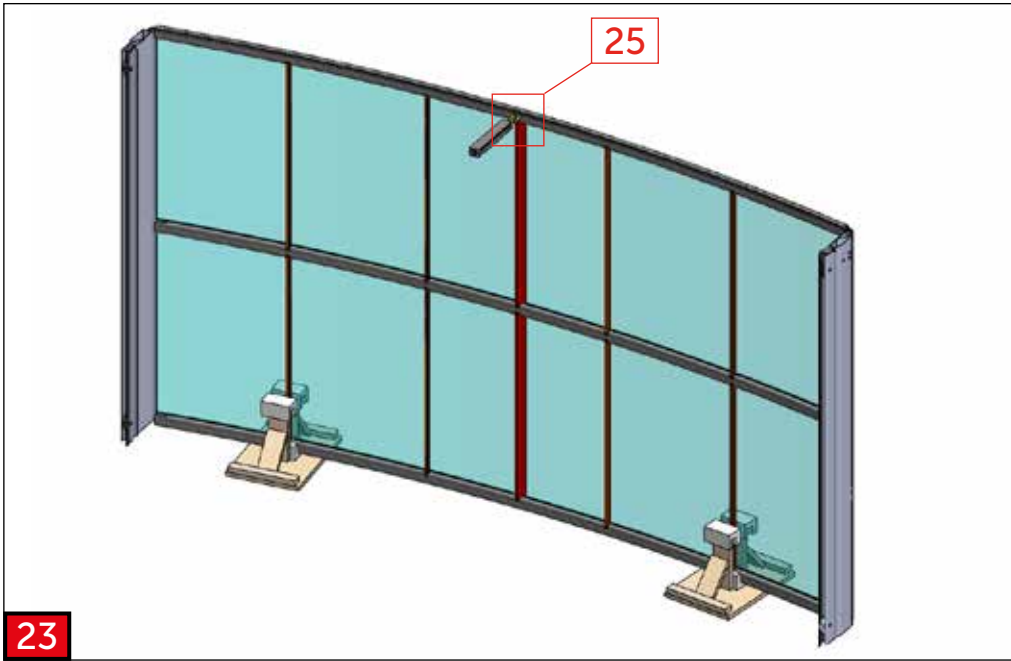
Nutné zajistit modul proti překlopení. Doporučujeme vyrobit držák z balení (prkna + výložky) nebo zajistit jiným způsobem.
 The module must be secured against falling. We recommend that you make a holder from the transport box (boards + foam liner) or that you secure the module in other safe way.
 Das Modul muss gegen Umkippen gesichert werden. Wir empfehlen, einen Halter aus der Verpackung (Bretter + Liner) zu machen oder das Modul auf andere Weise zu sichern.
 Il est nécessaire d'assurer le module contre son renversement. Nous recommandons de fabriquer le support de l'emballage (les planches + les parements) ou de l'assurer autrement.
 Необходимо обезопасить модуль от опрокидывания. Мы рекомендуем сделать держатель из упаковки (доски + вкладыши) или закрепить его другим способом.

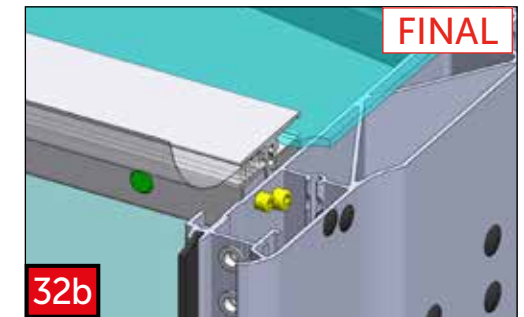
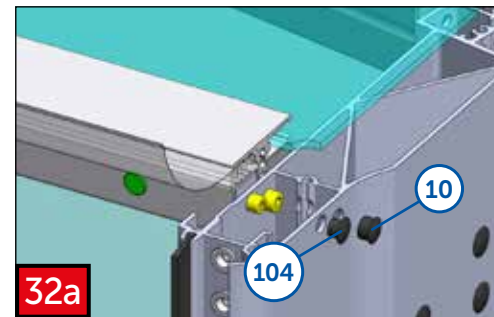
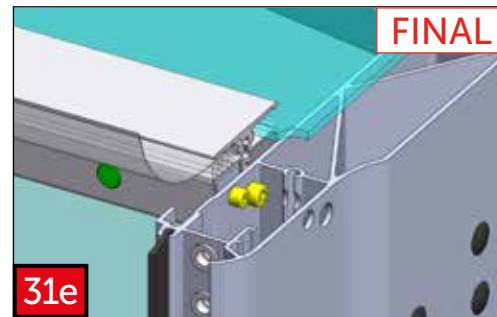
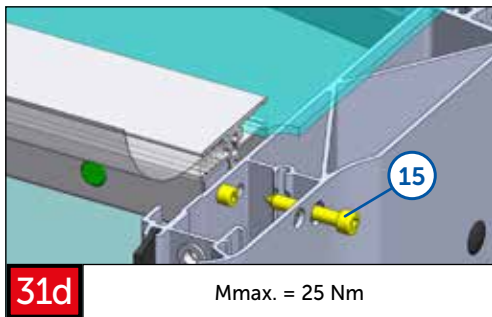
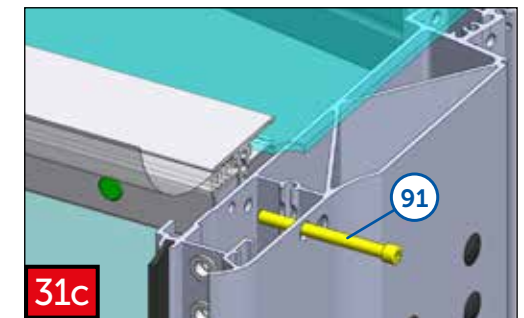
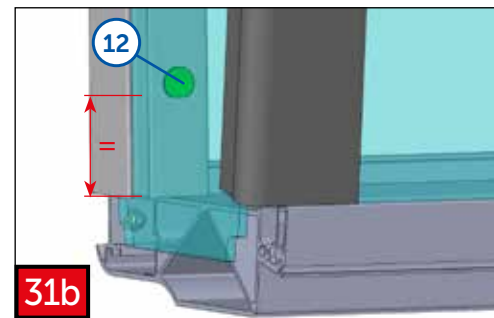
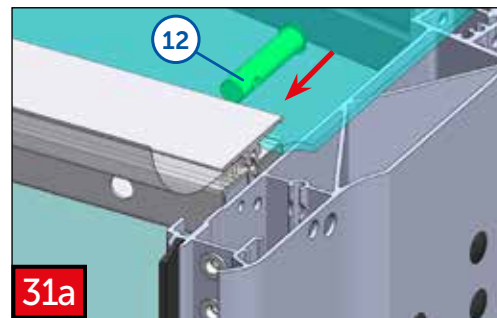
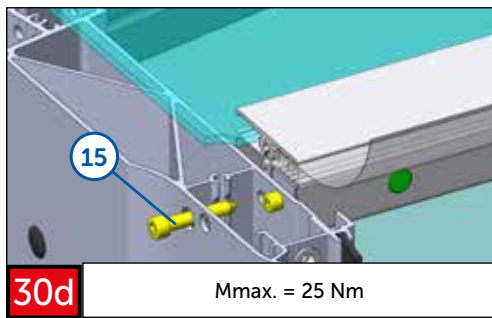
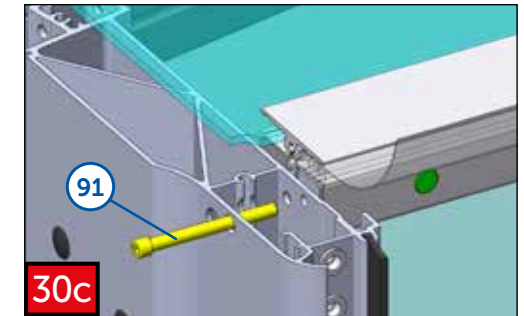
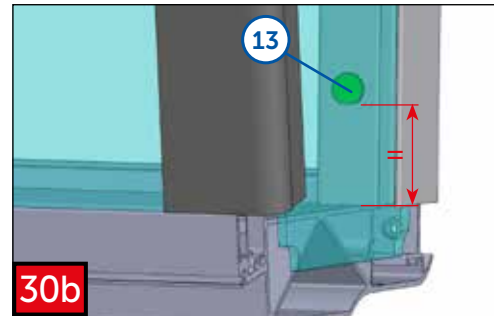
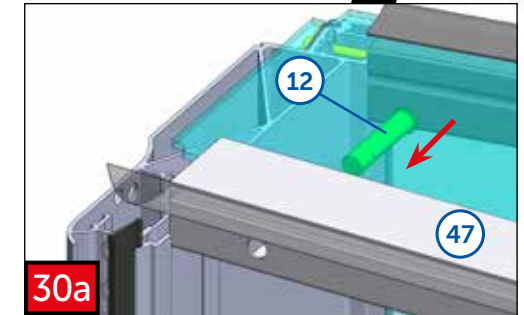
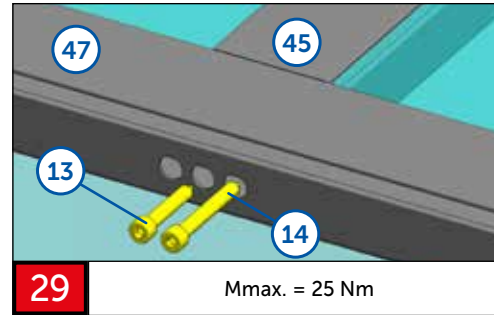
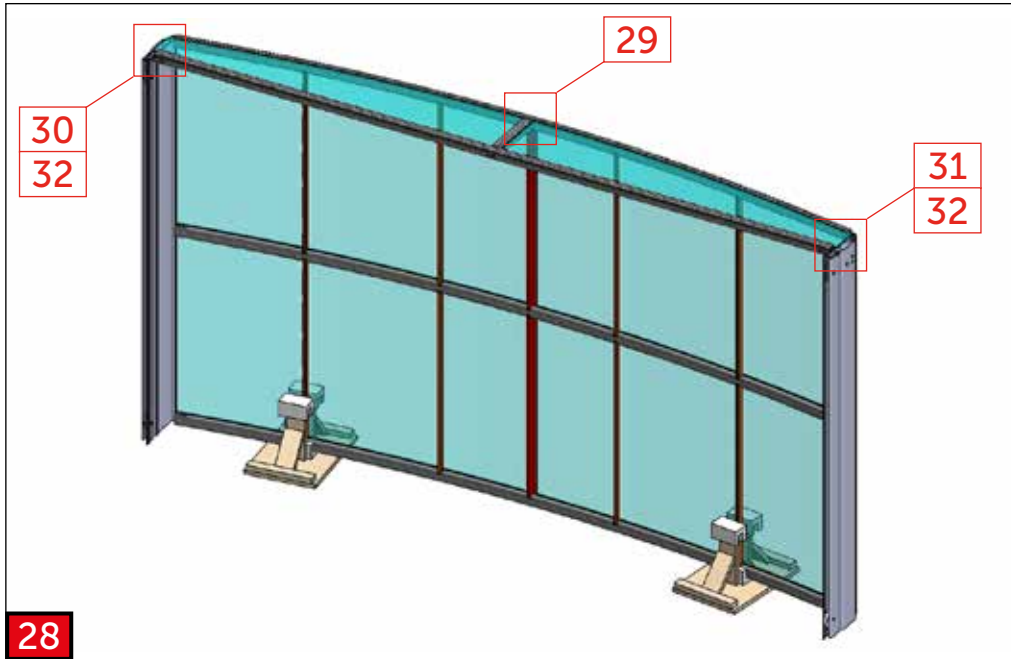




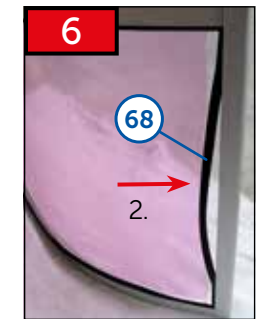
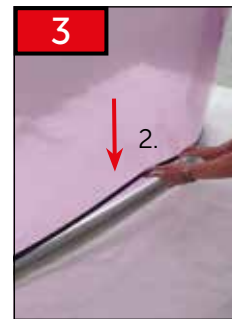
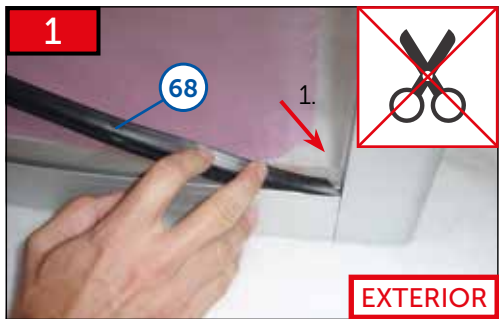
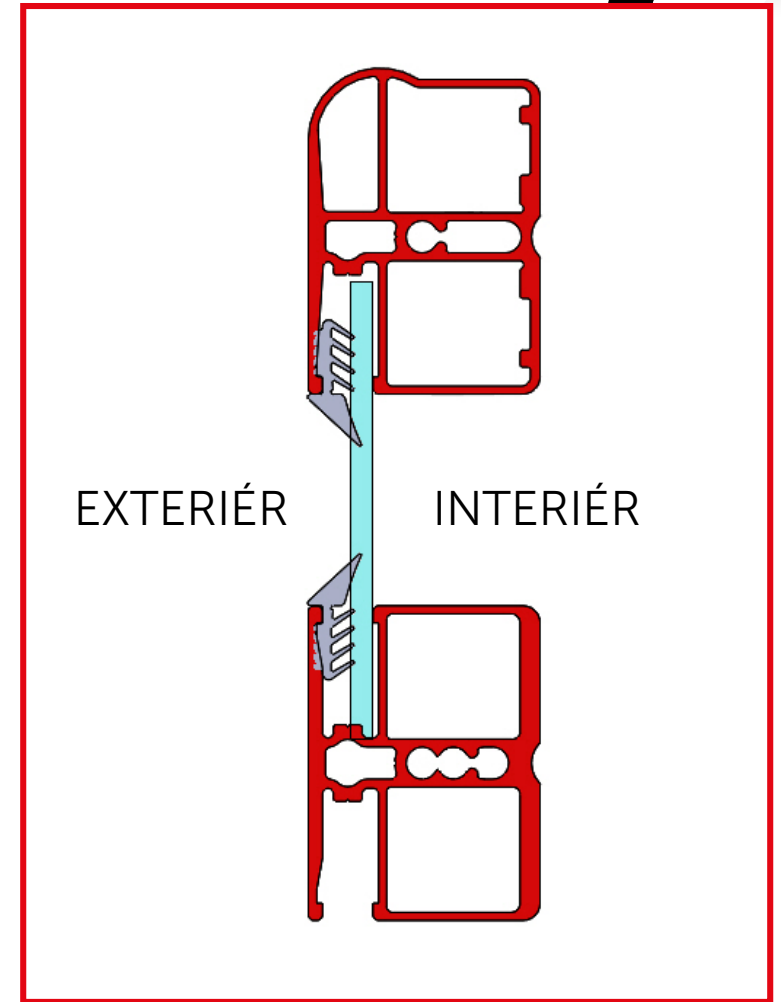
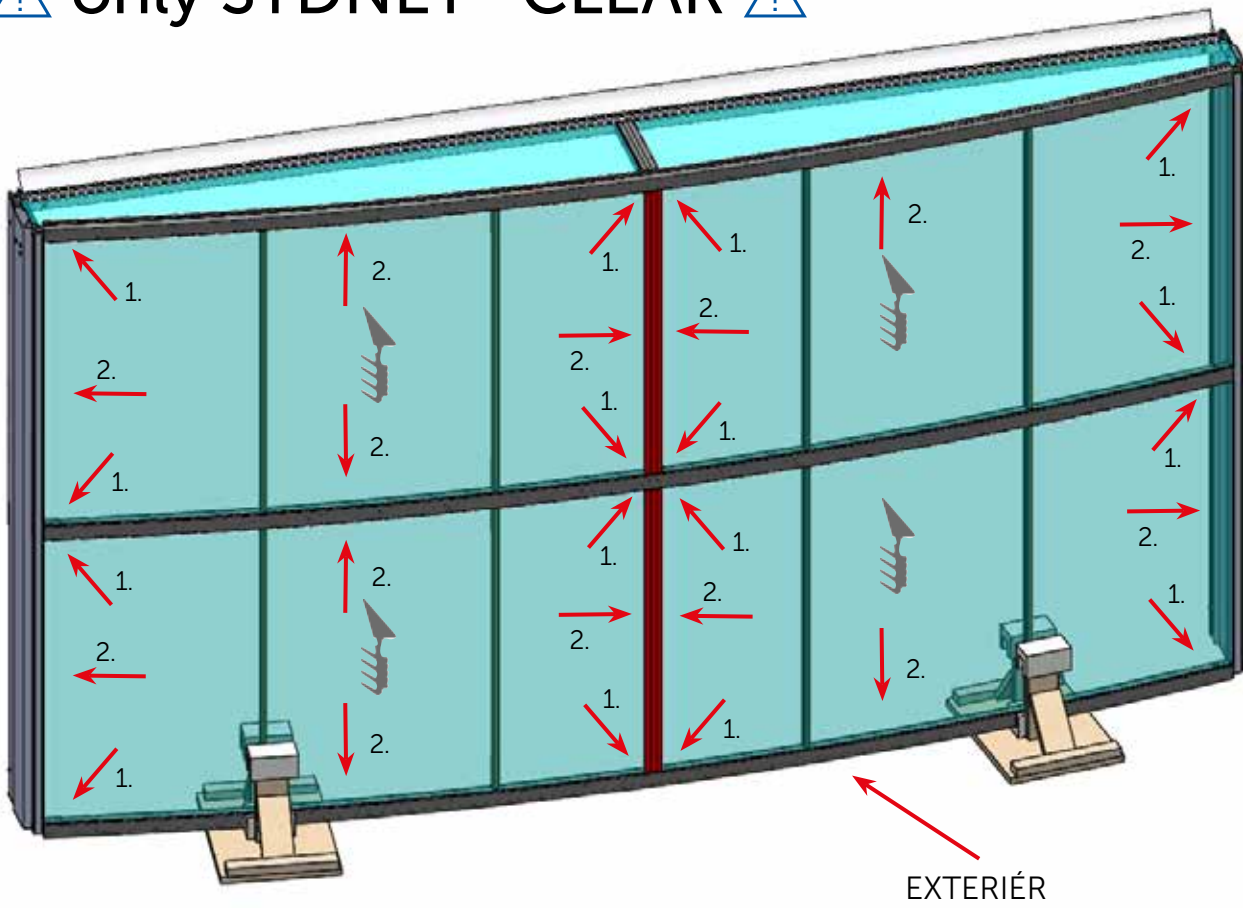


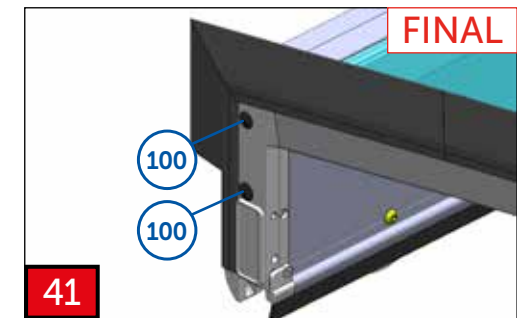
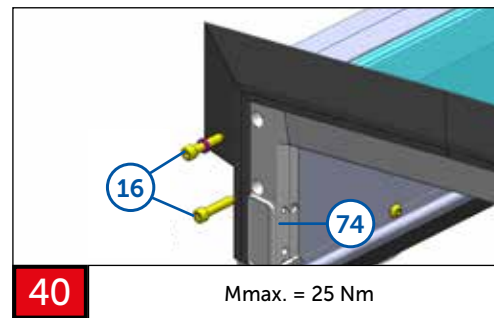
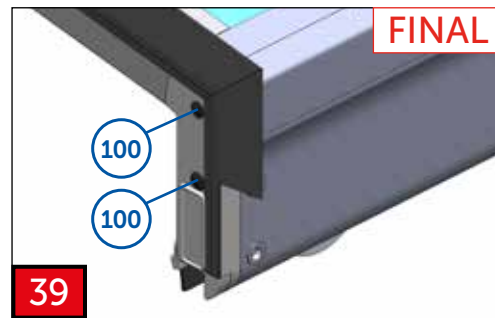
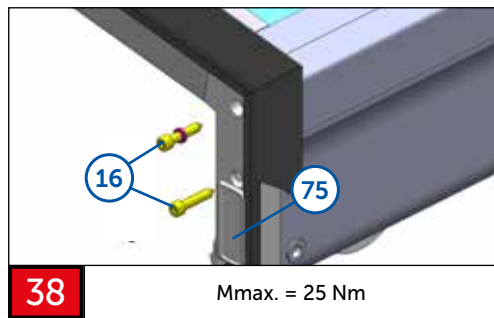
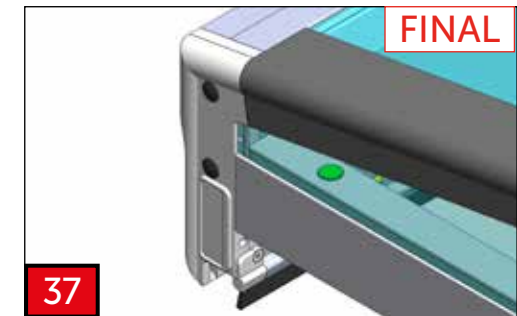
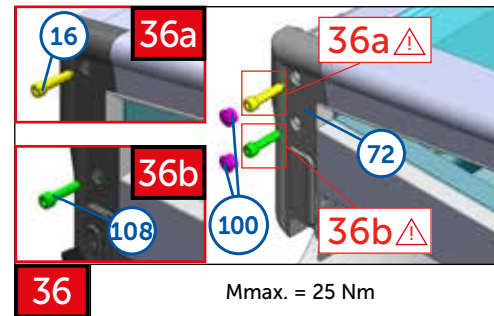
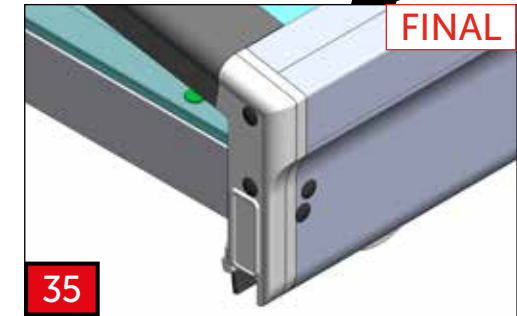
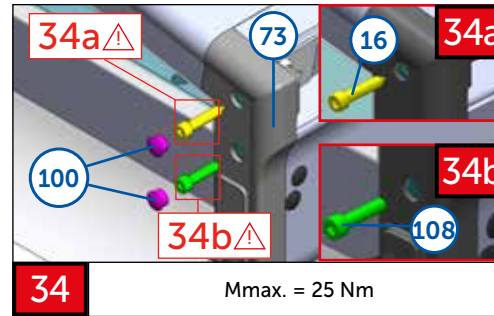
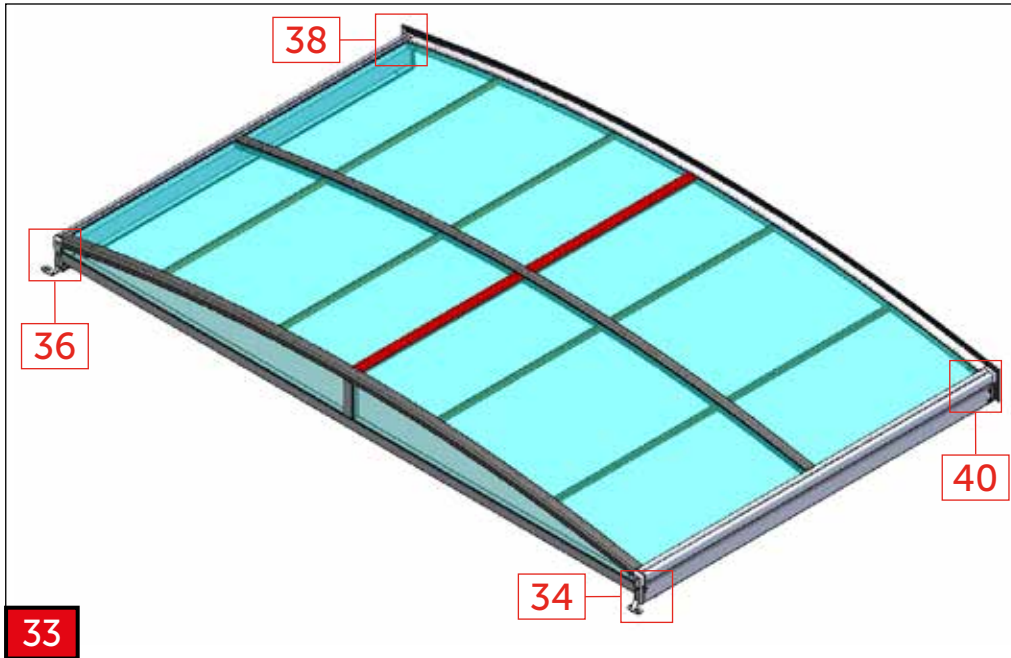


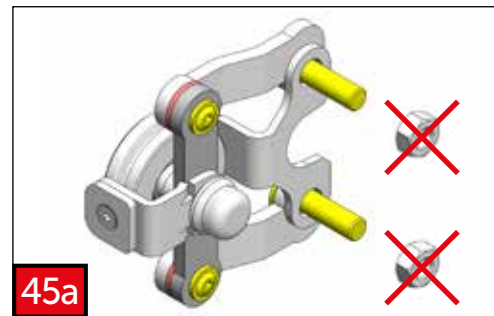
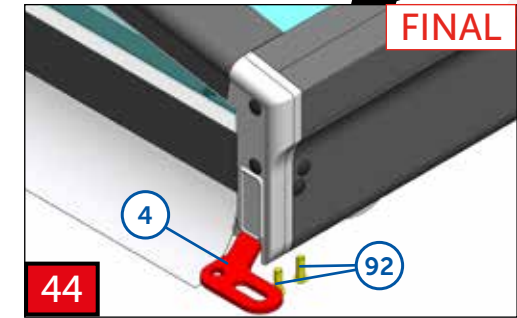
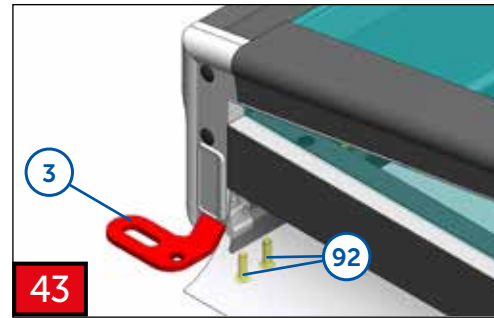
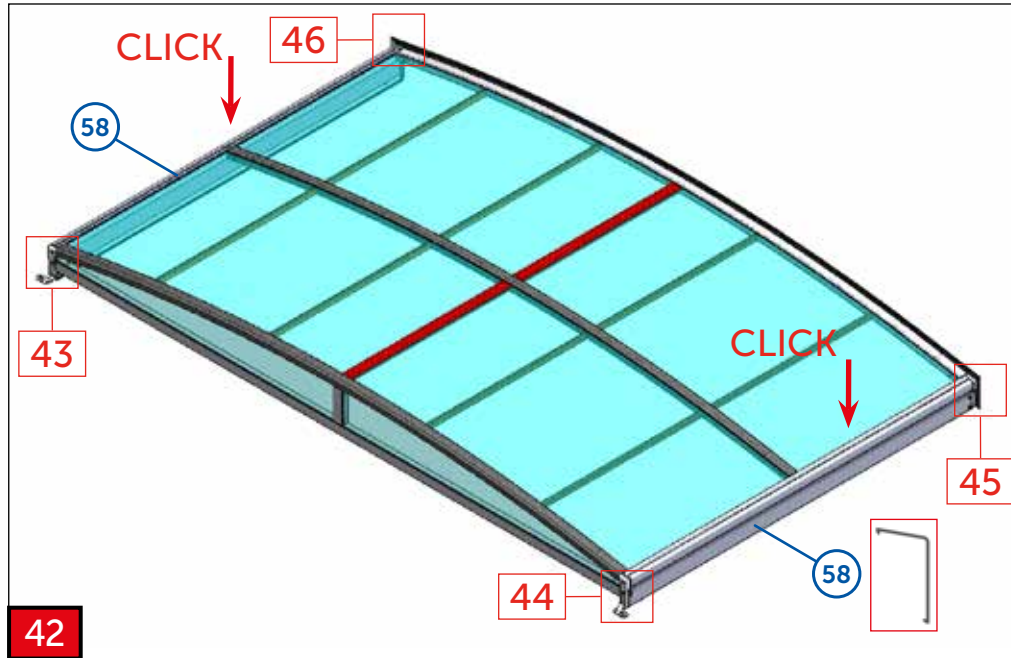




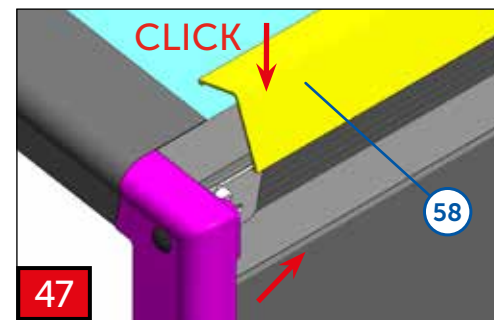
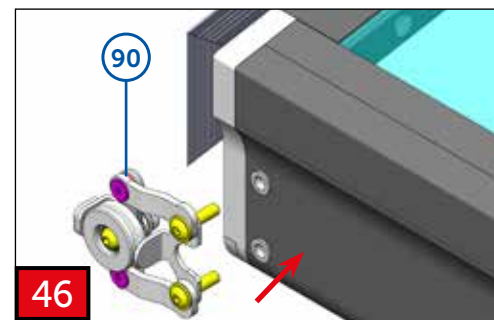
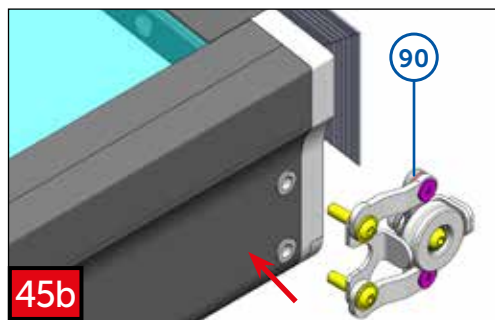
⚠ only SYDNEY CLEAR ⚠

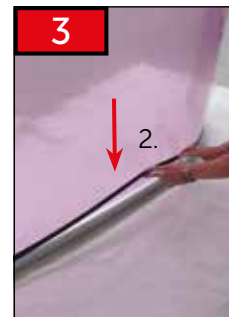
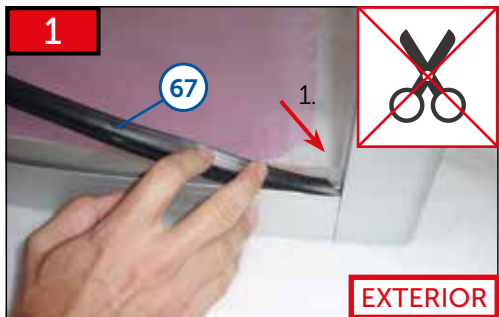
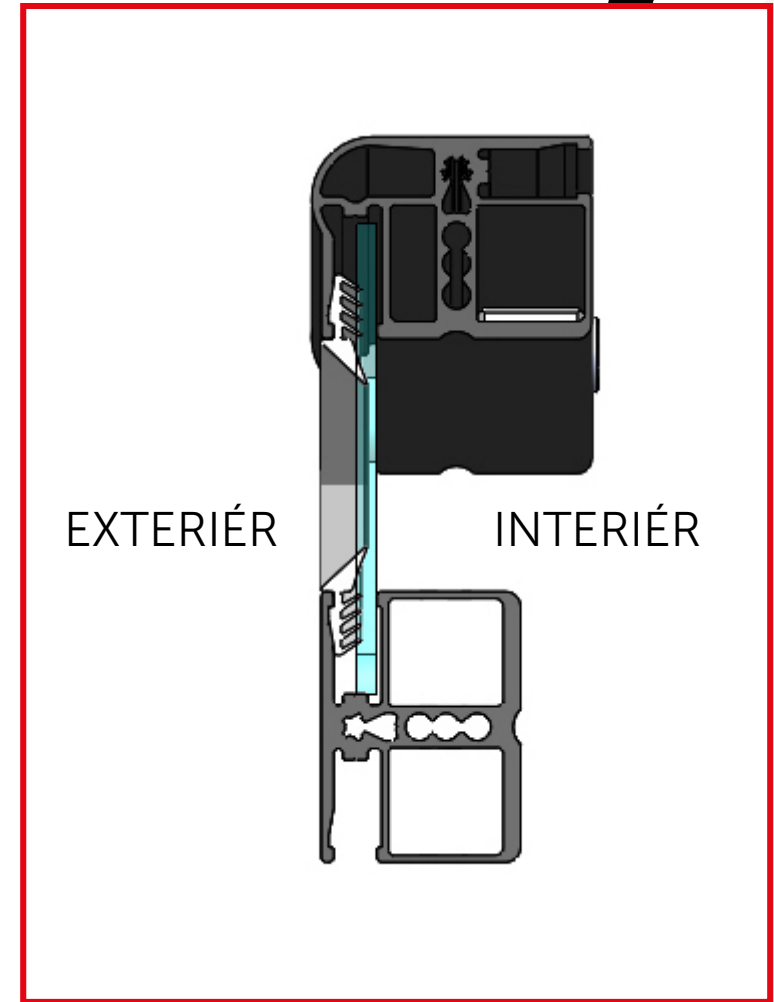
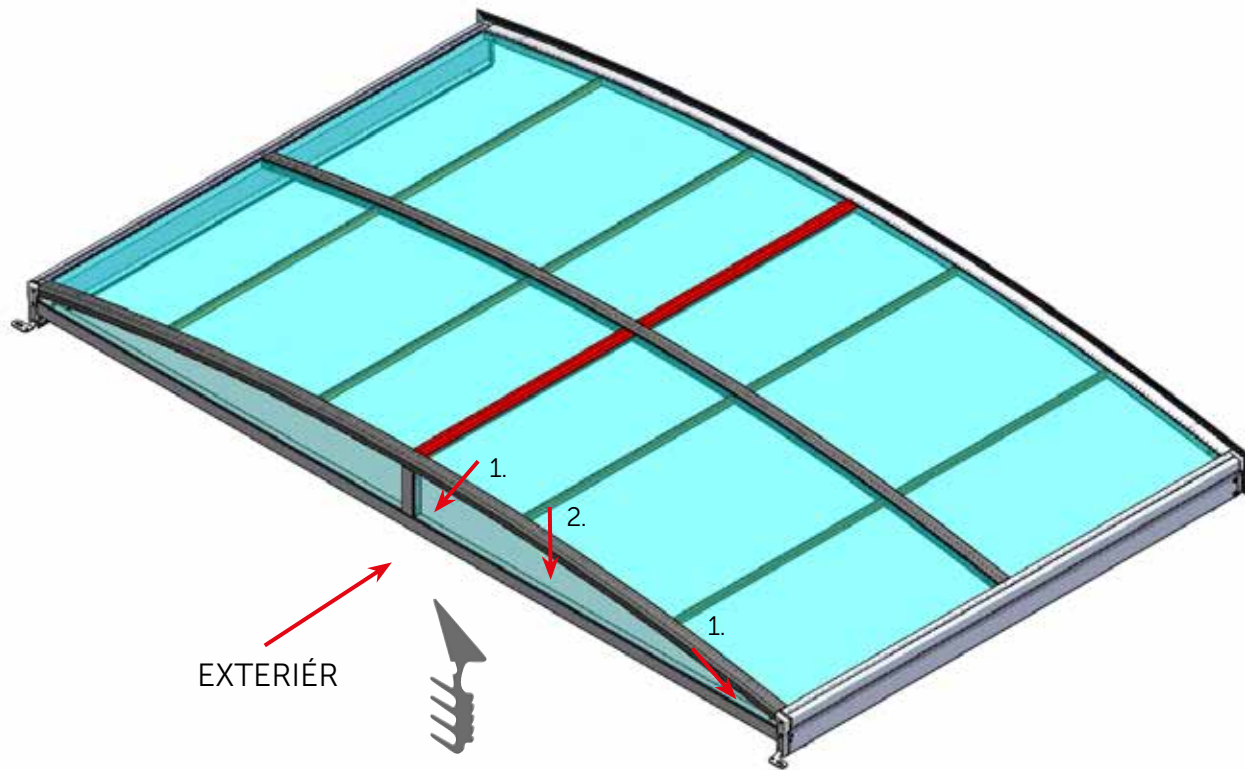






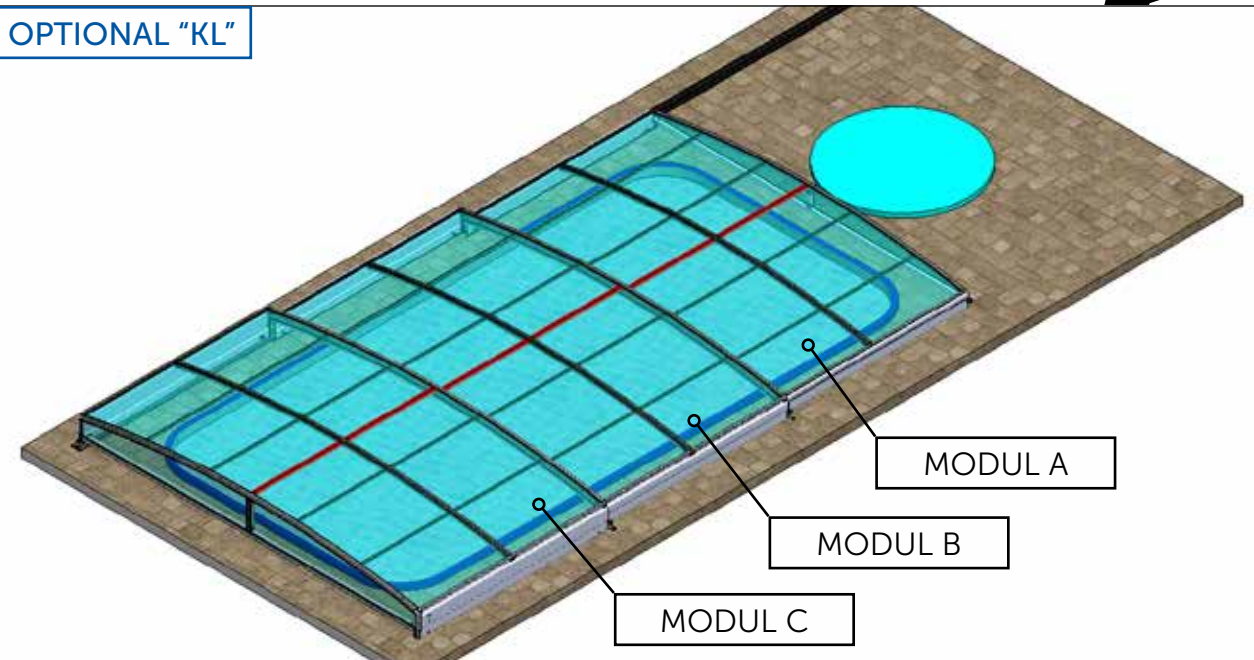
Jistící matky před montáží odstranit
 Remove the lock nuts before mounting
 Sicherungsmutter vor der Montage entfernen
 Enlevez les contre-écrous avant le montage
 Перед установкой снимите стопорные гайки



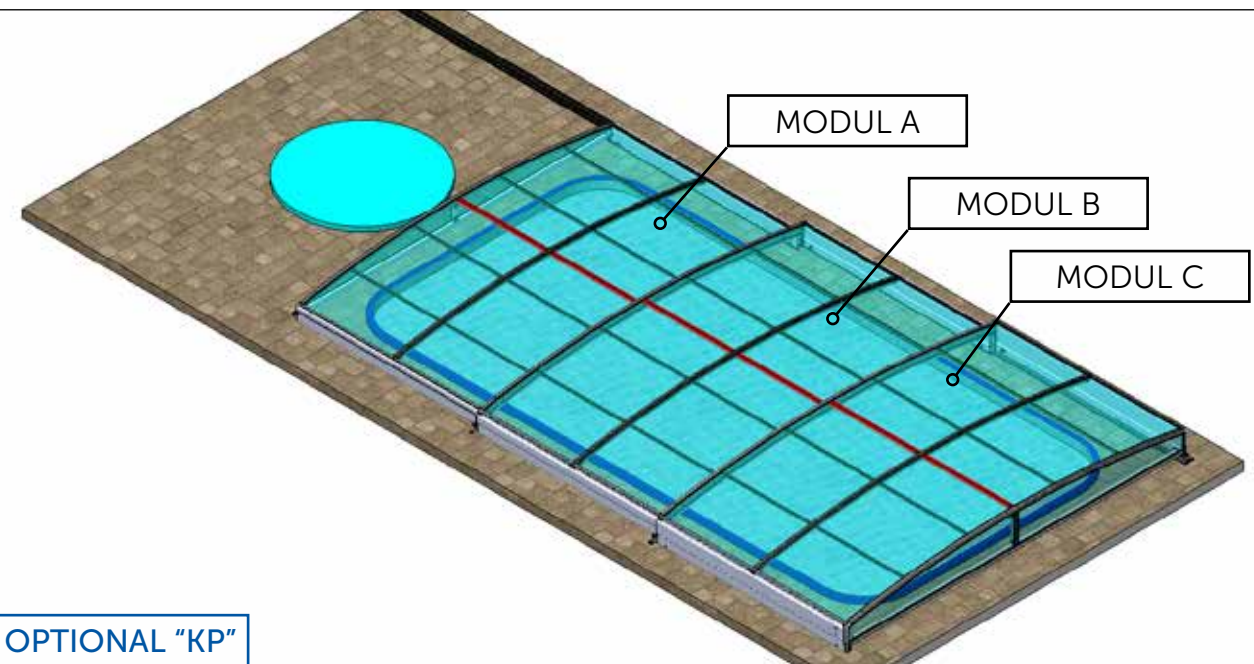


Umístění modulů na bazén
 Placing of modules on the swimming pool
 Lage der Module auf dem Pool
 Emplacement des modules au-dessus de la piscine
 Расположение модулей на бассейне

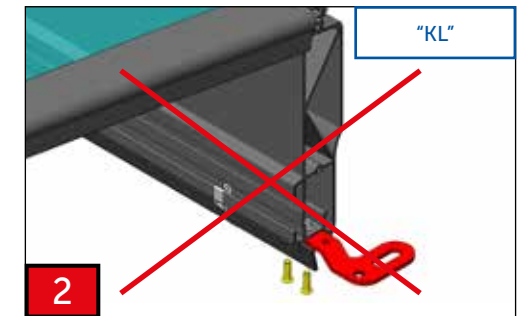
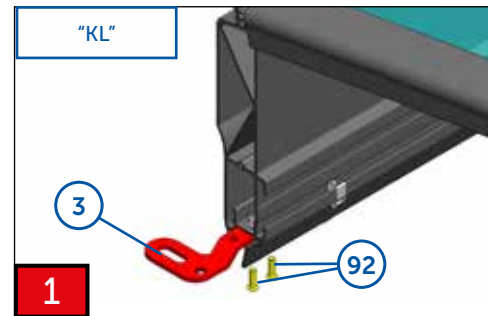
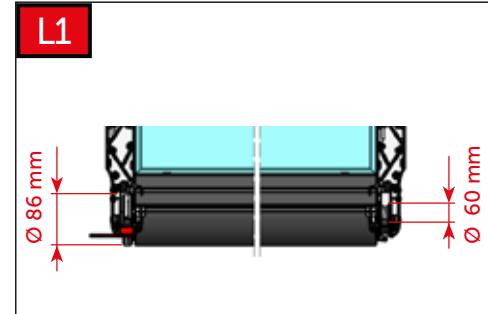
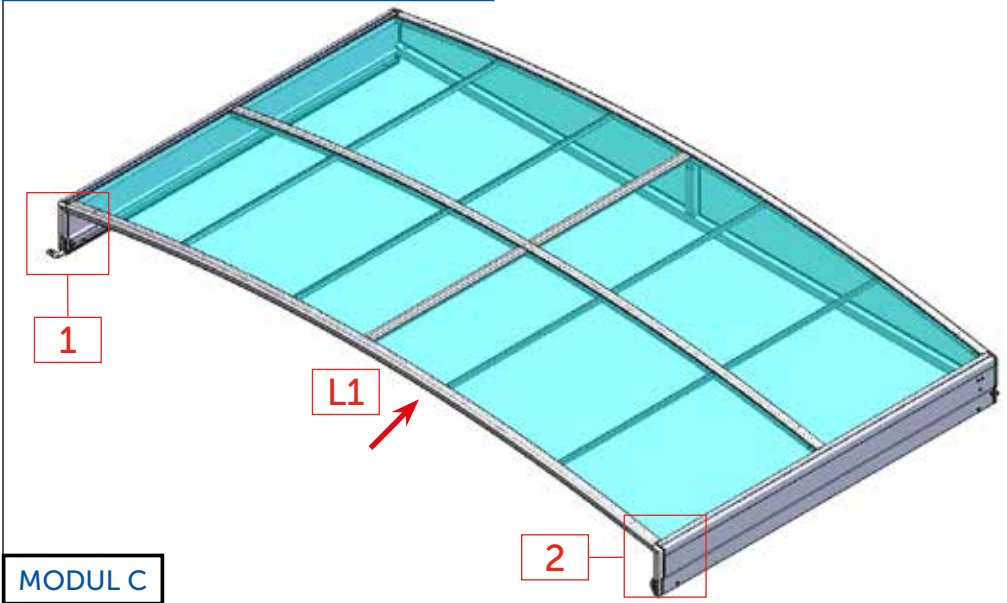
OPTIONAL "KL"



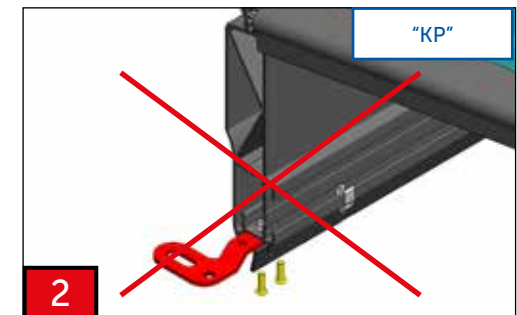
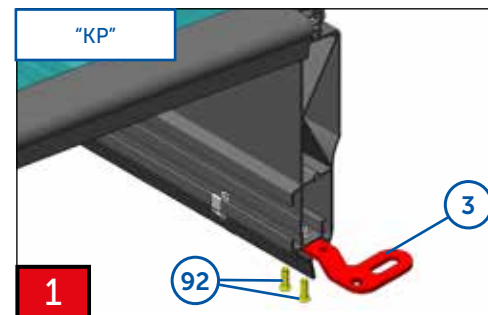
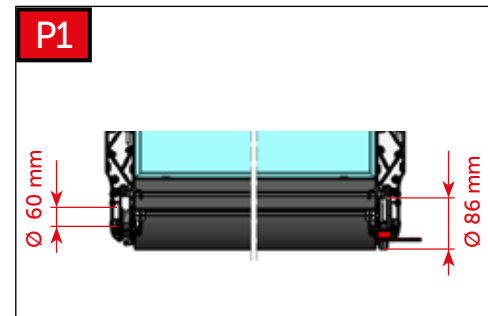
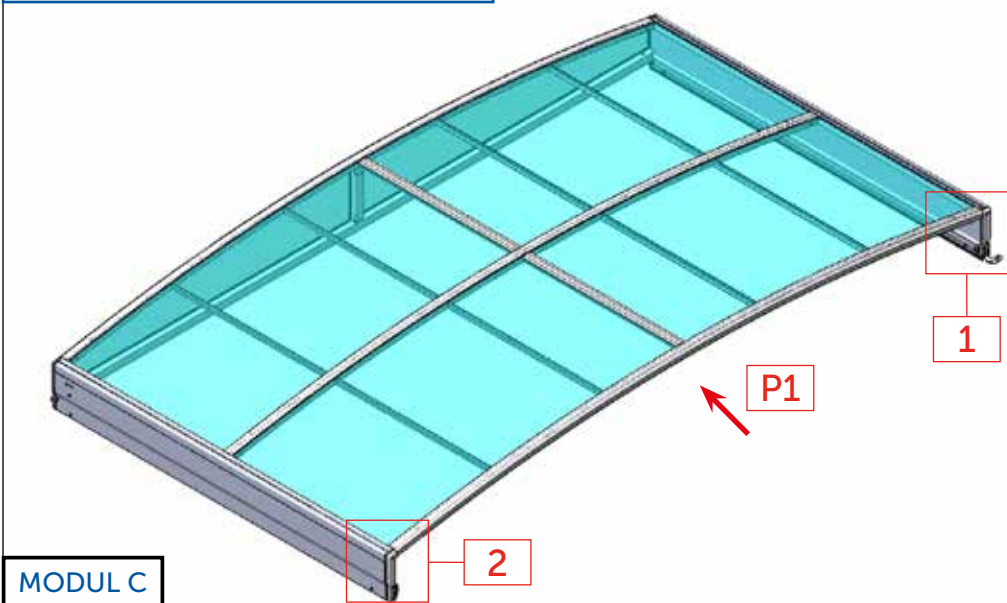
OPTIONAL "KP"

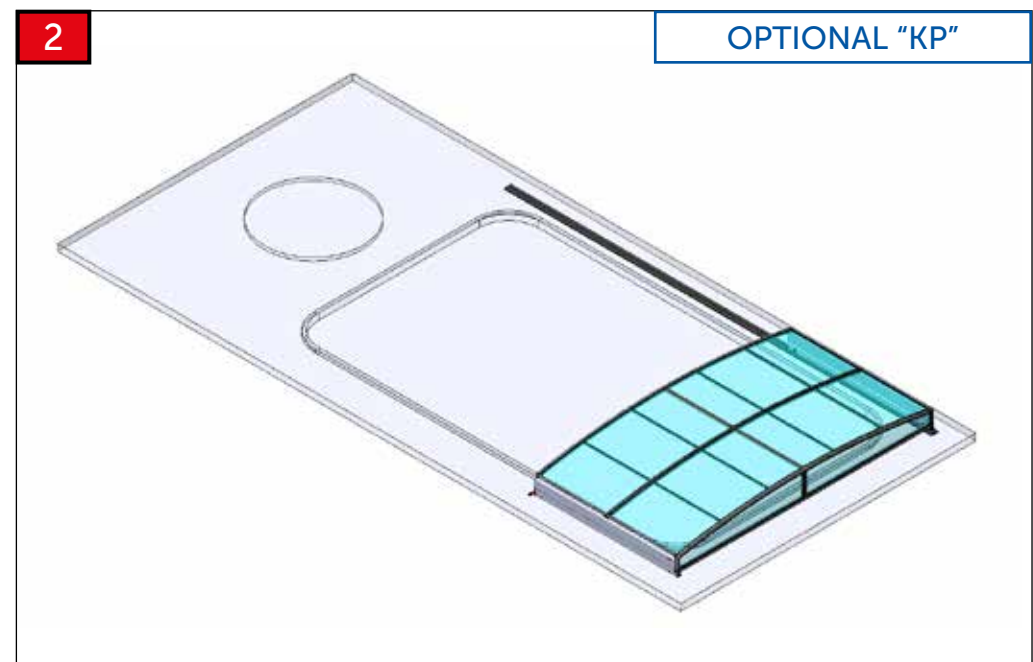
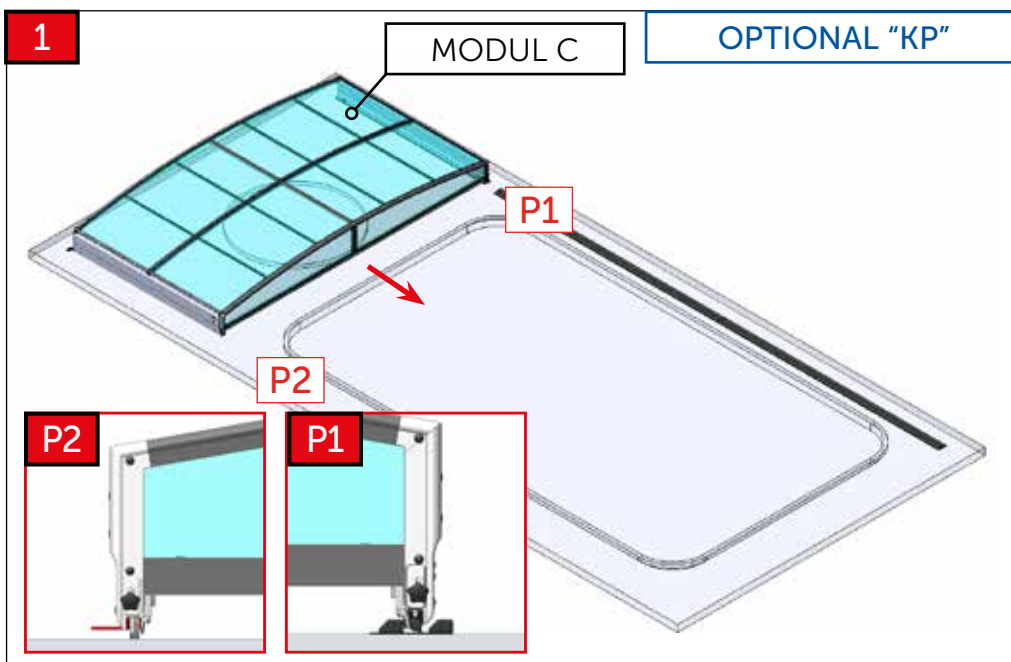
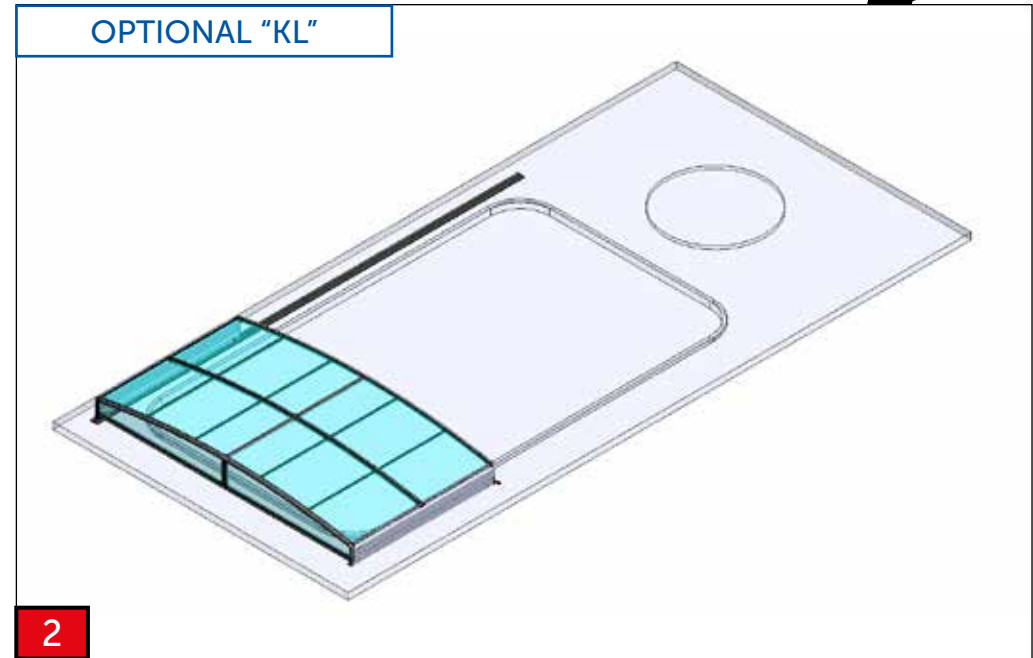
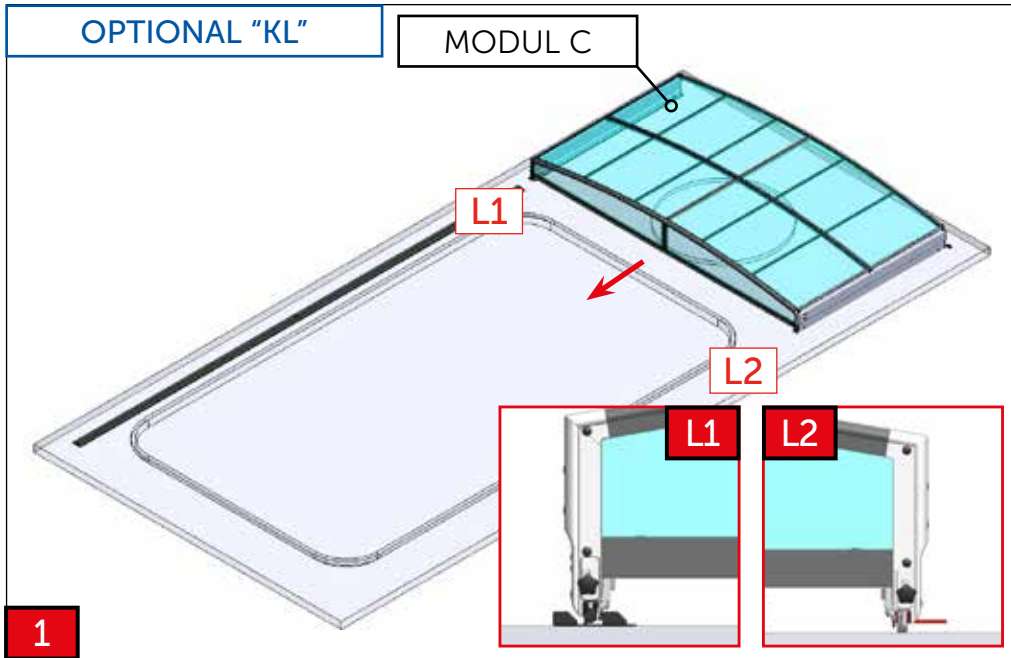


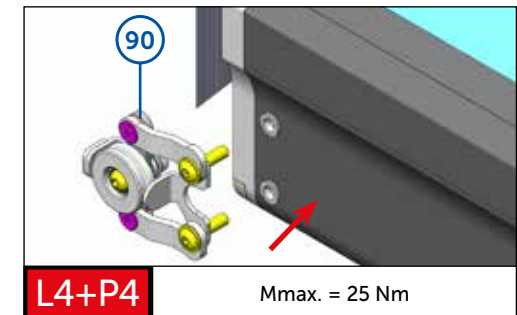
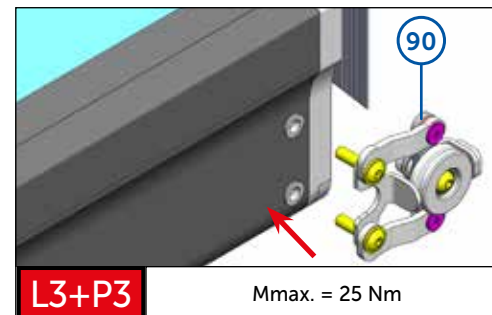
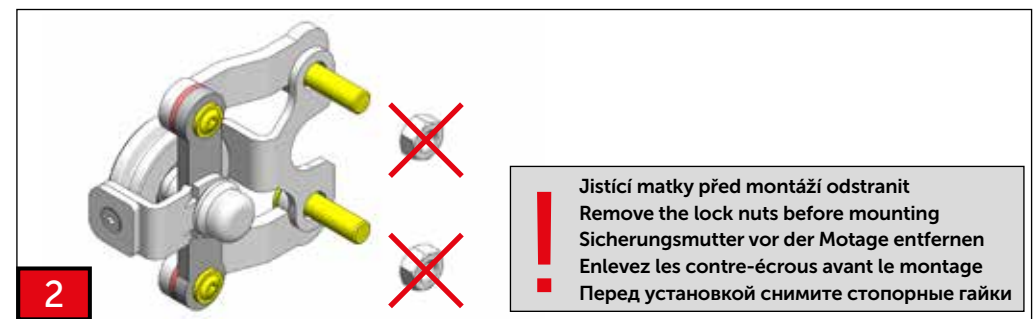
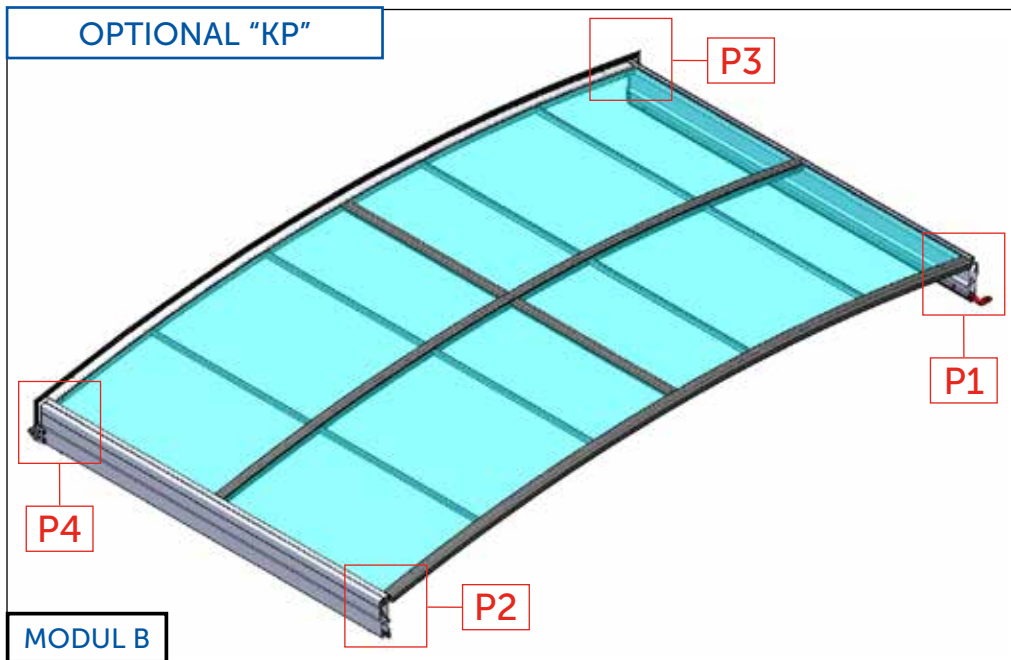
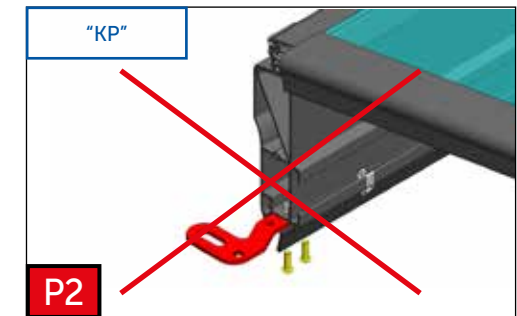
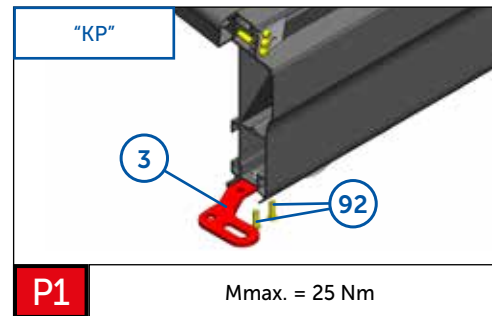
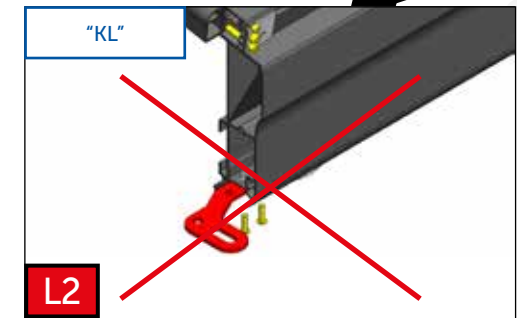
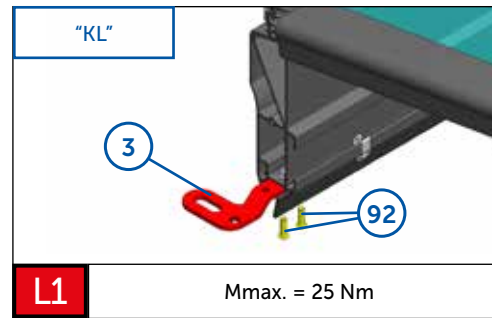
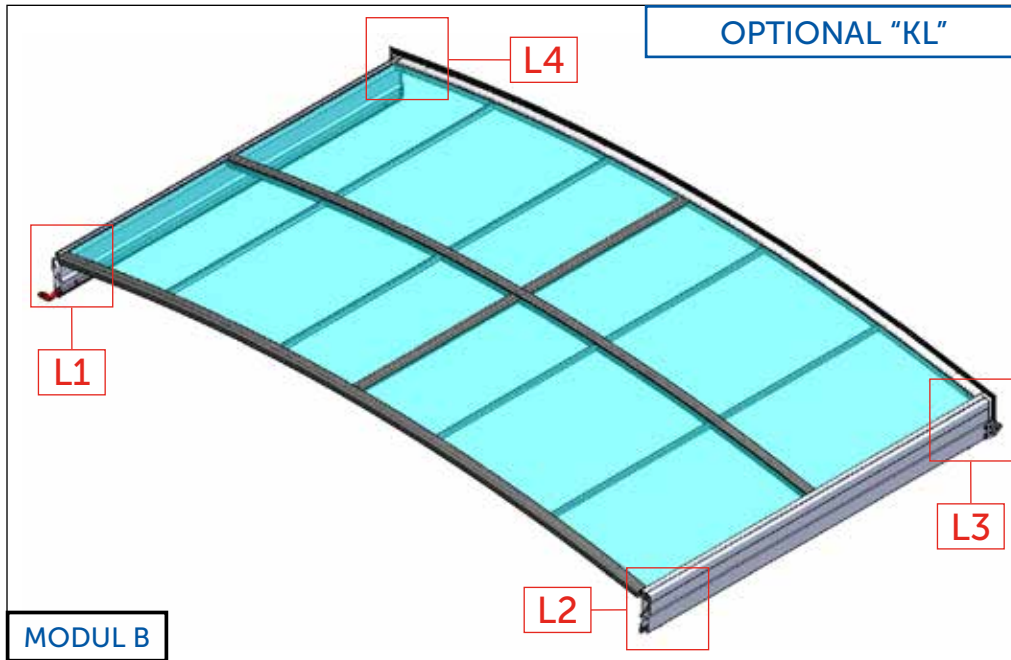
OPTIONAL "KL" - STANDARD

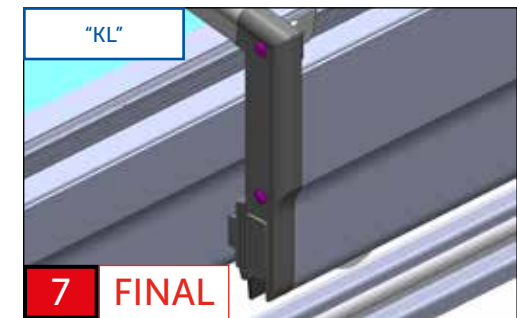
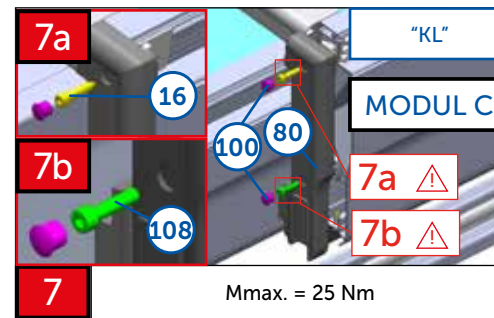
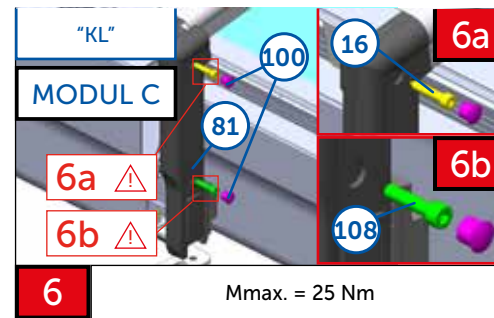
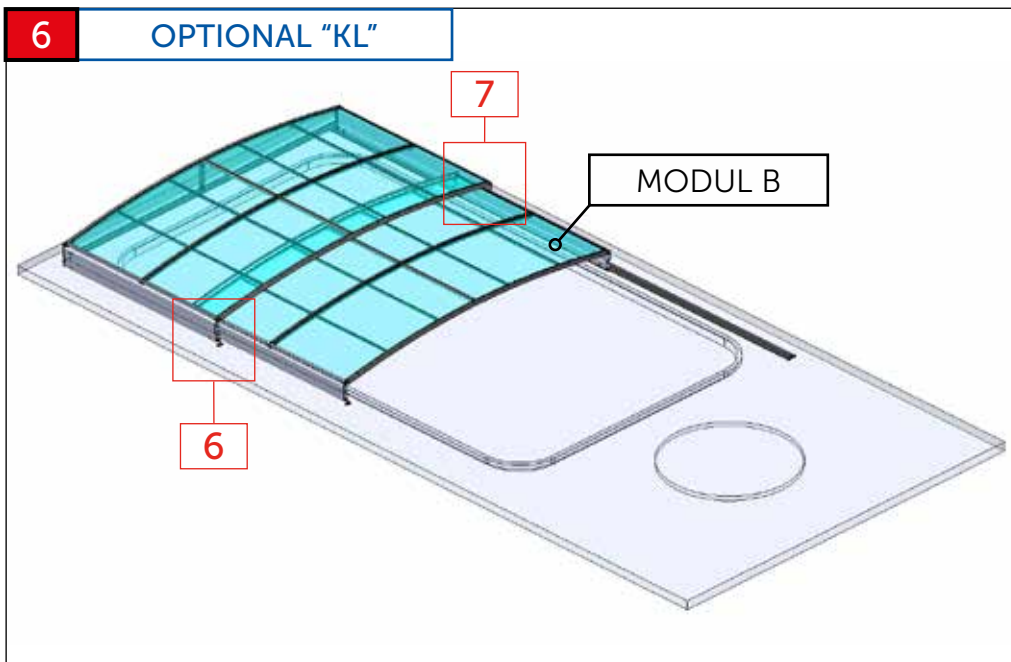
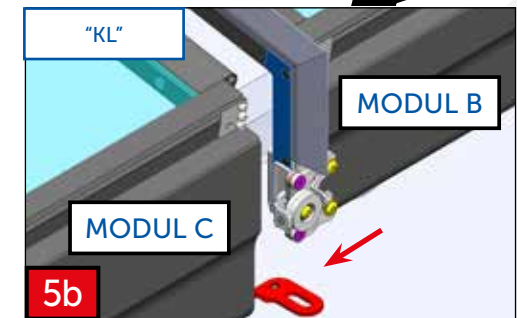
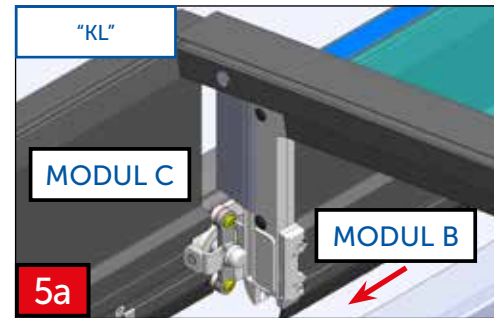
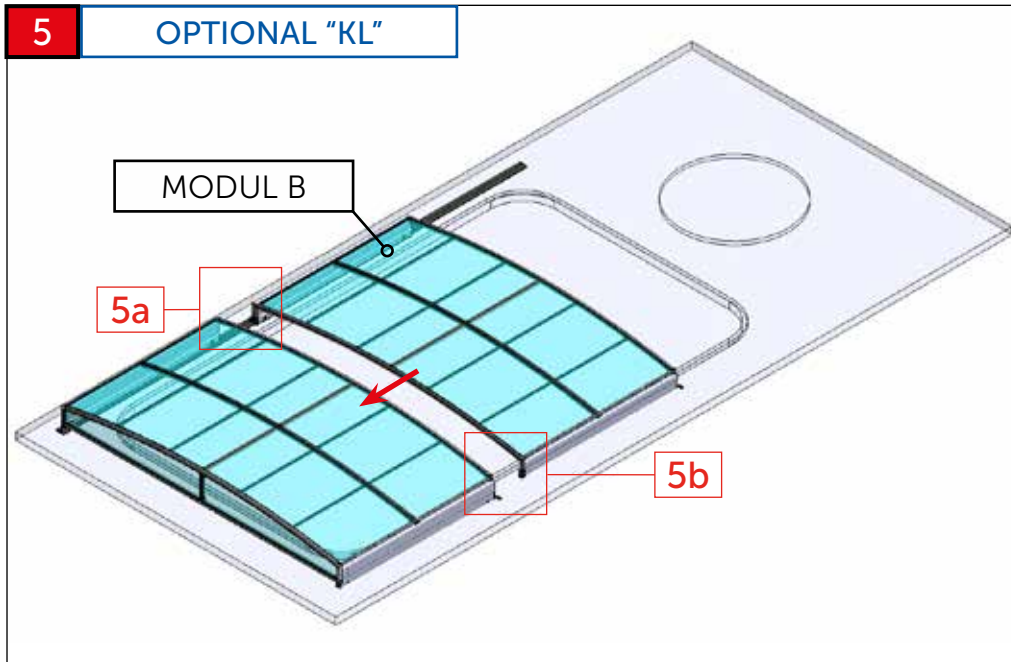


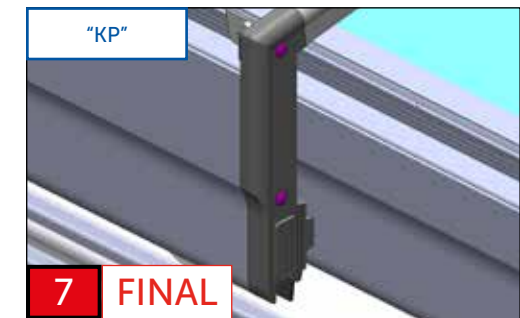
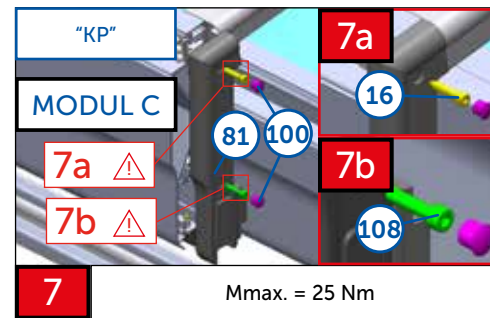
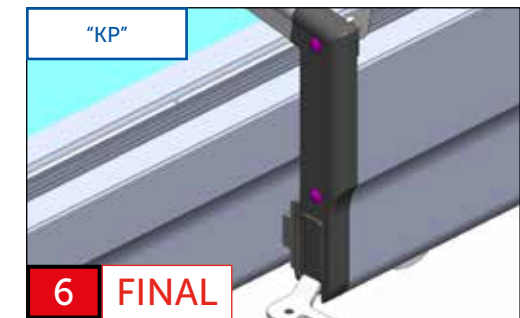
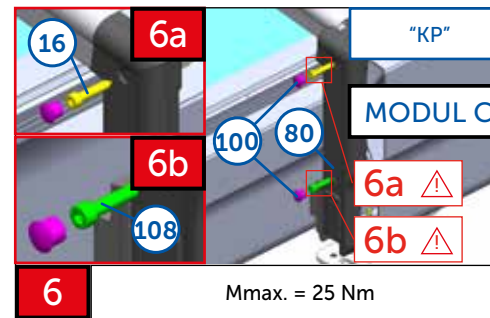
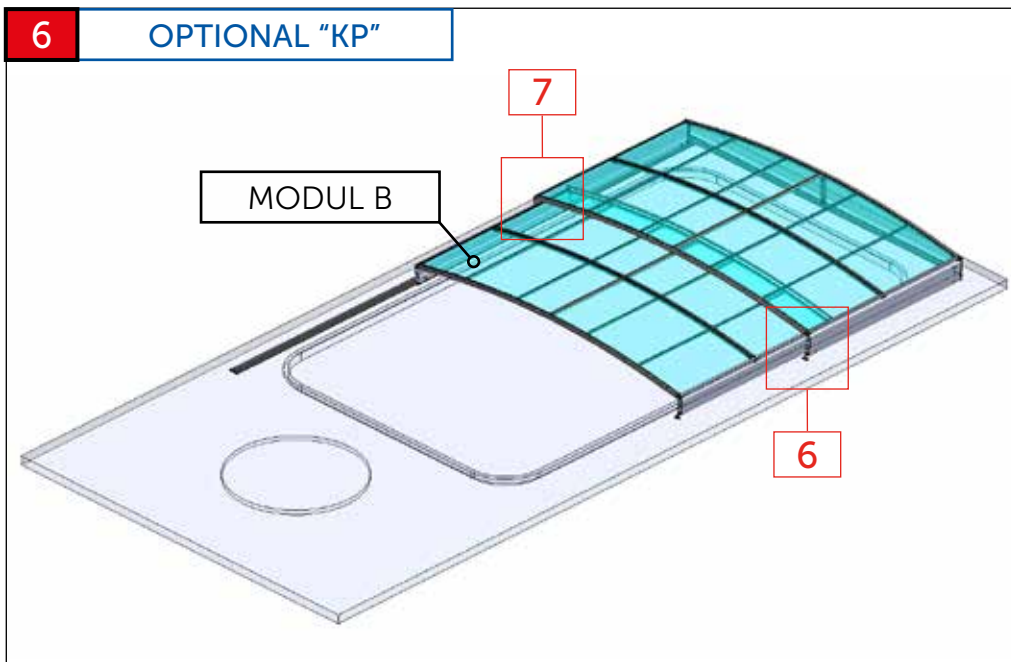
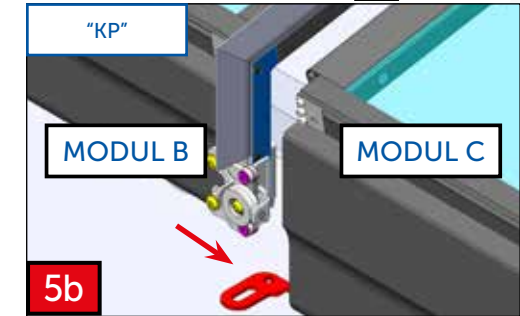
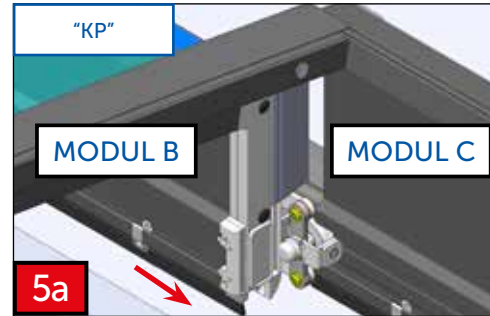
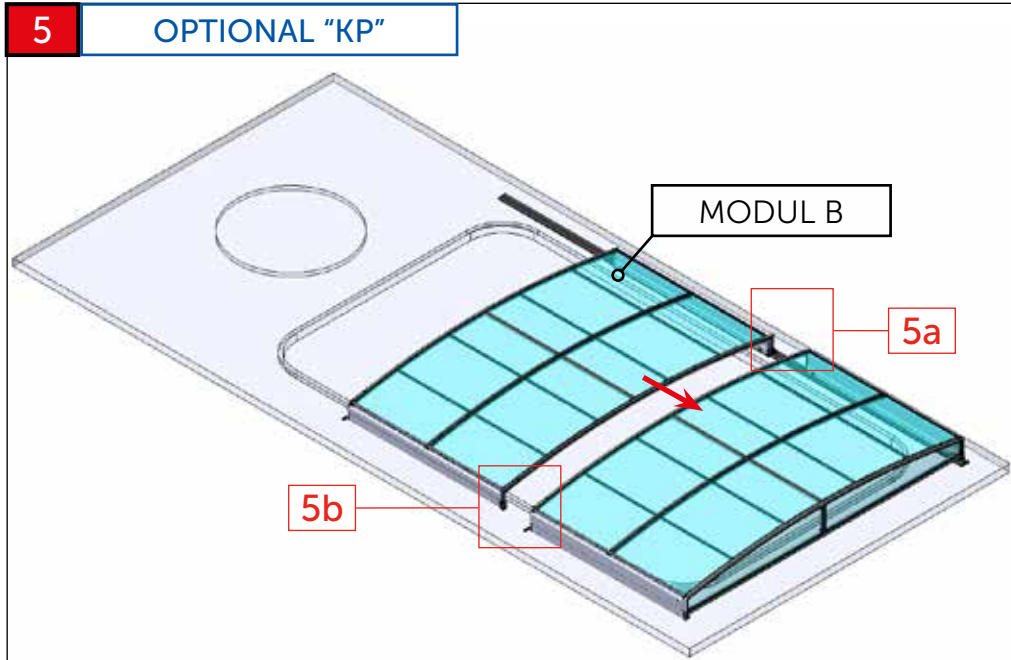
OPTIONAL "KP"

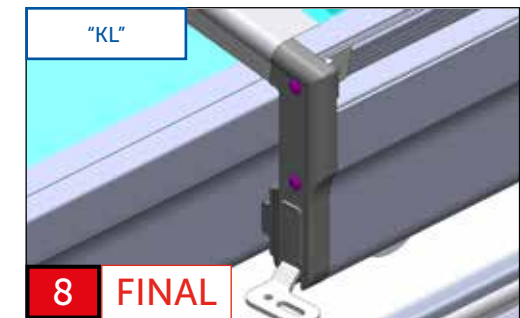
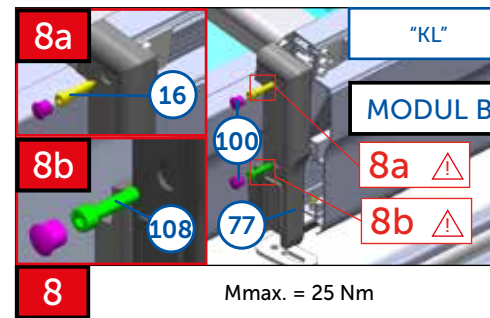
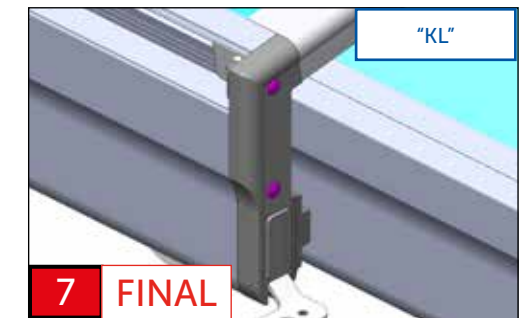
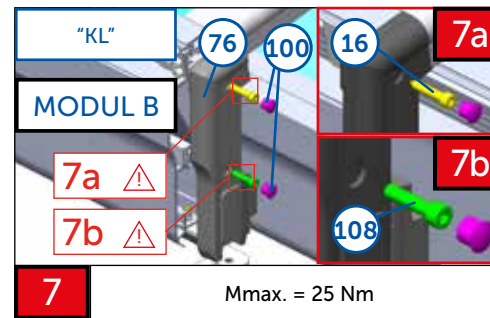
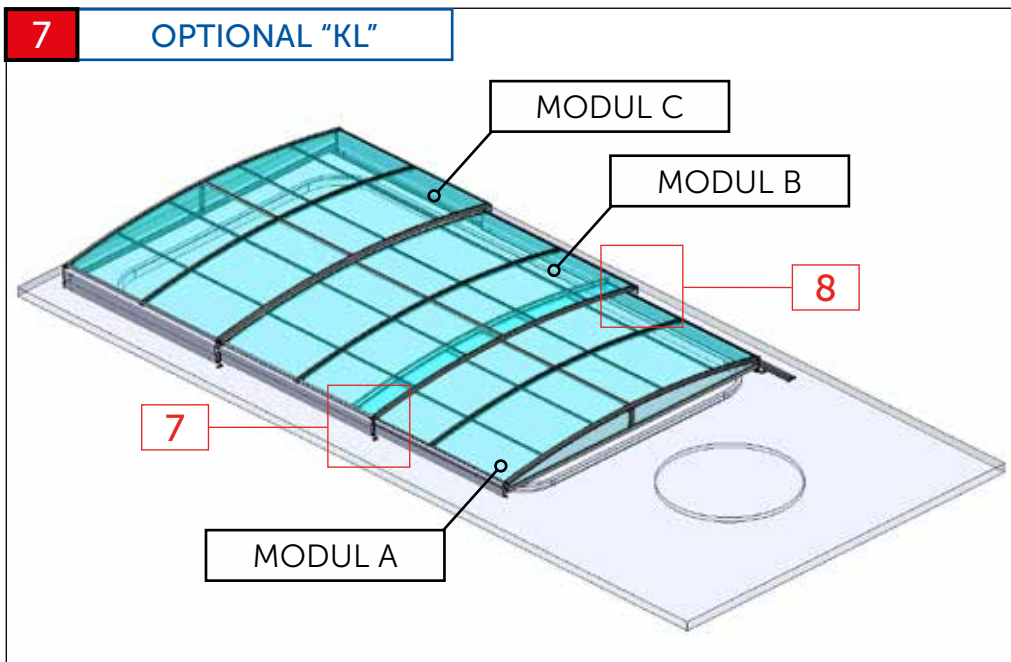
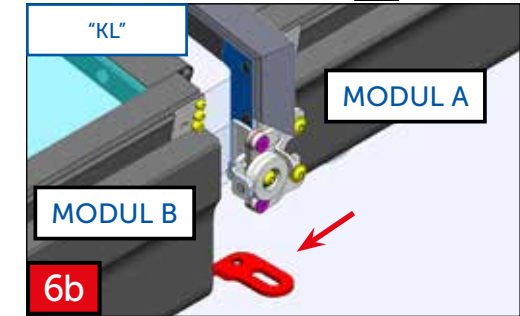
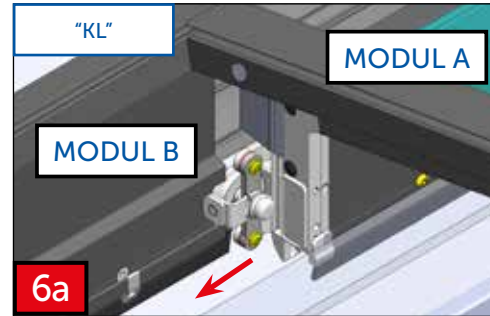
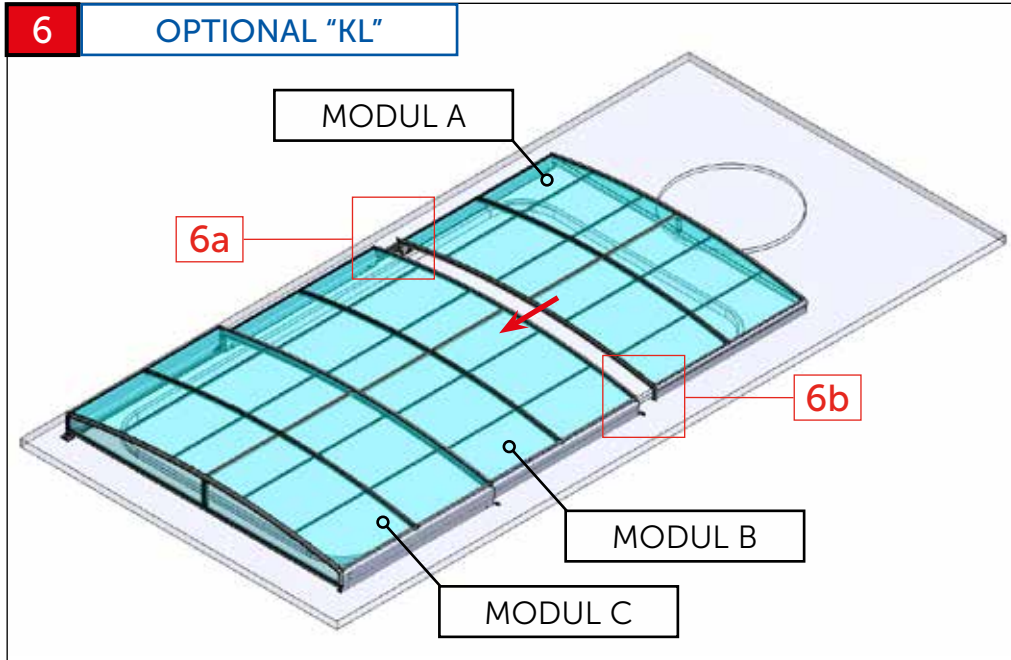


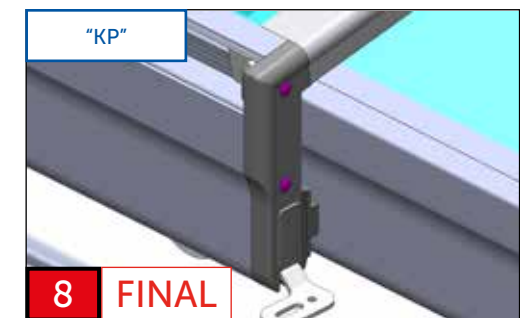
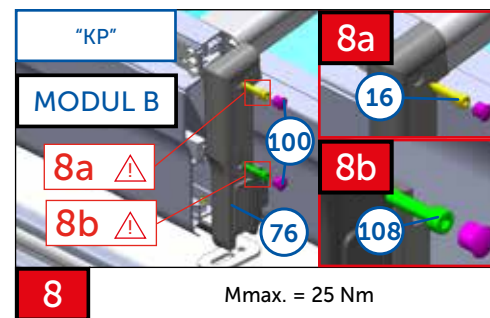
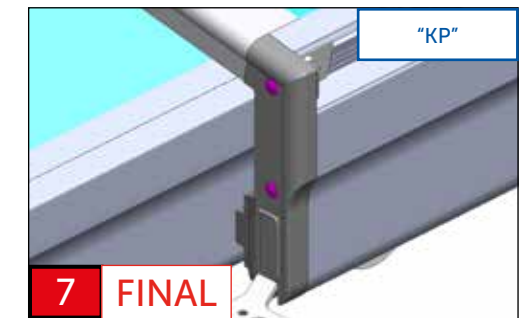
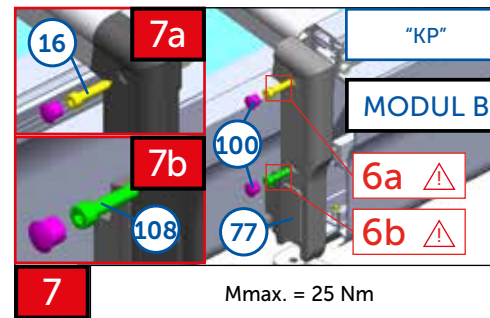
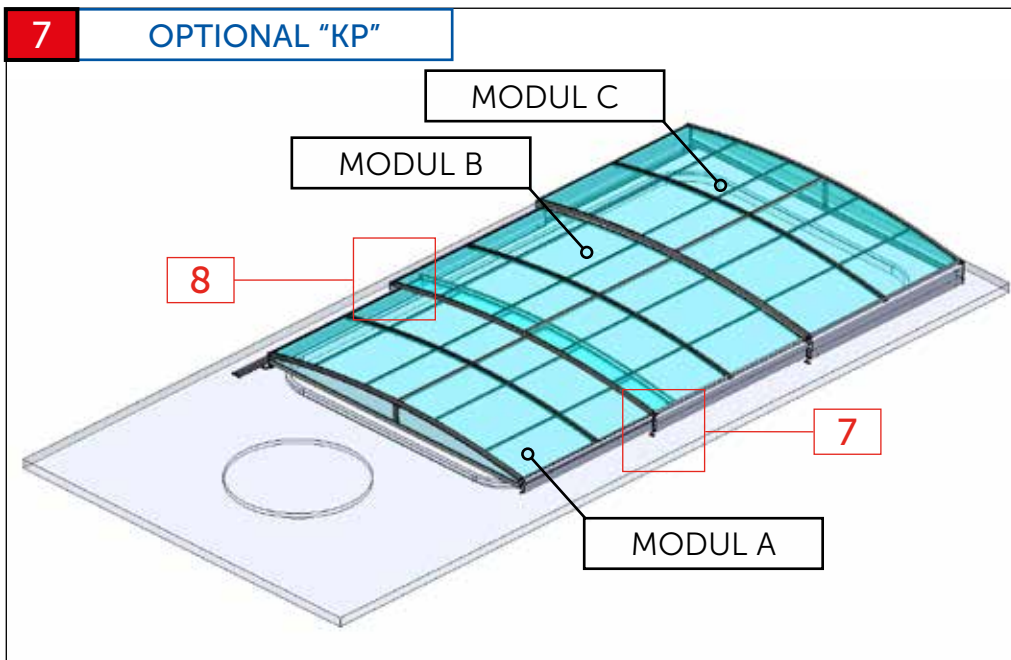
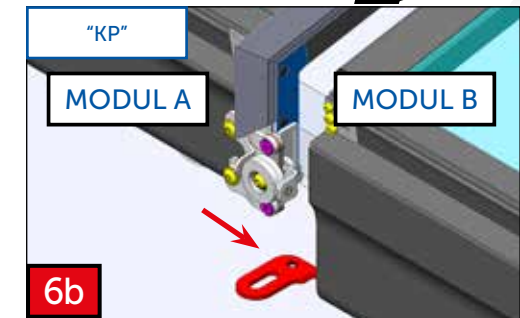
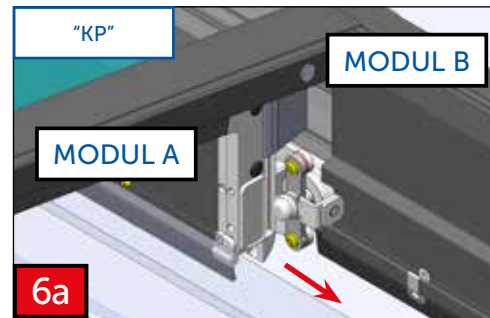
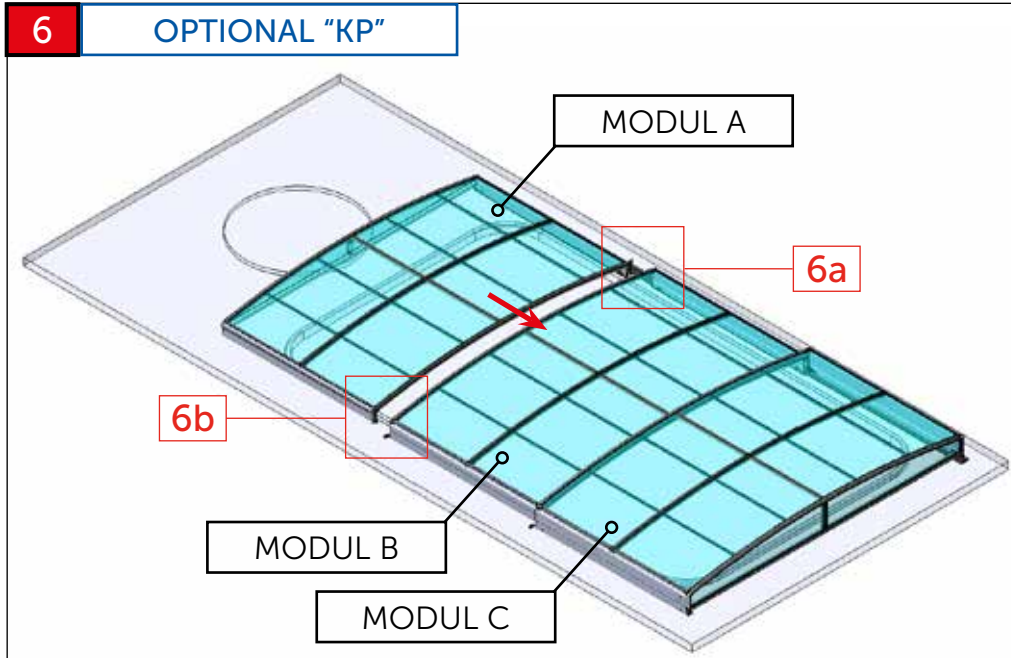




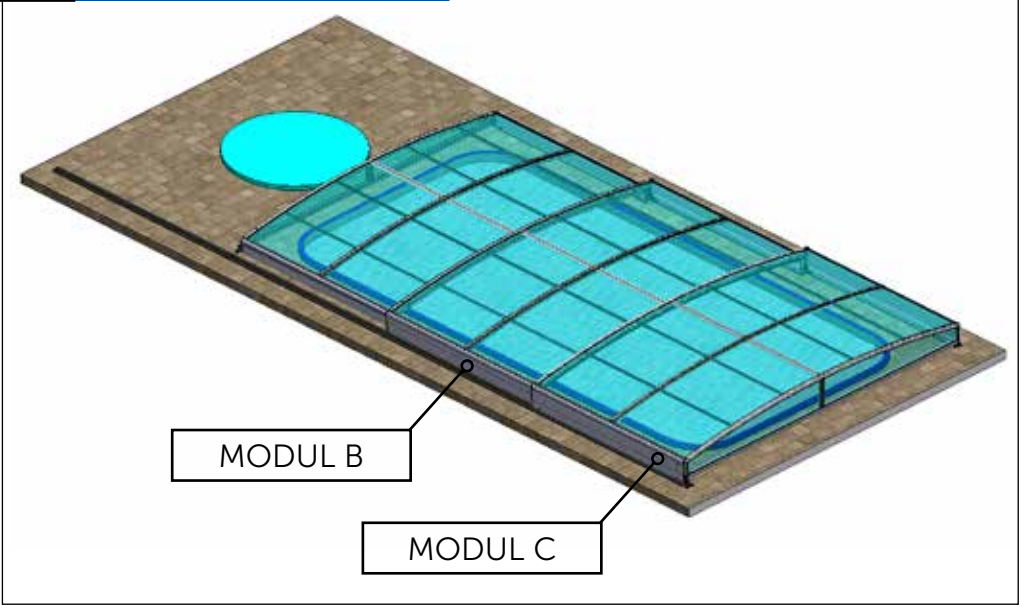




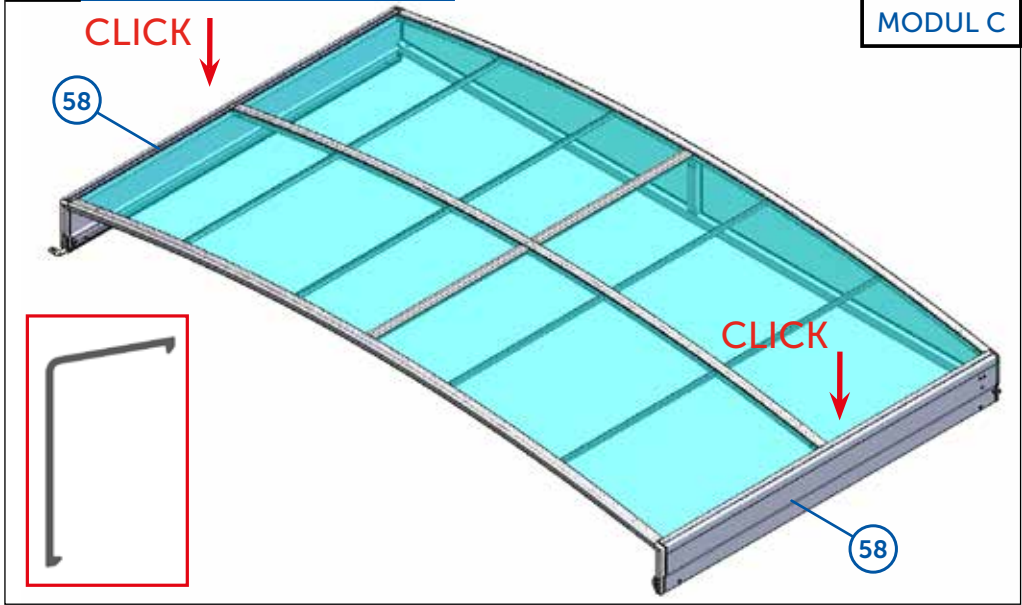




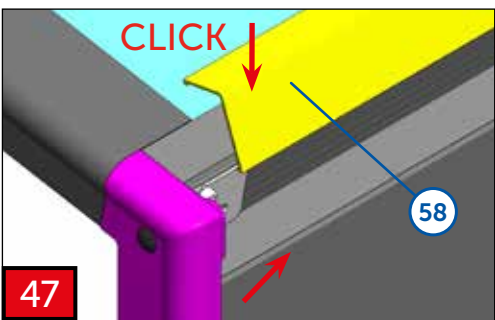
1 OPTIONAL "KL", "KP"

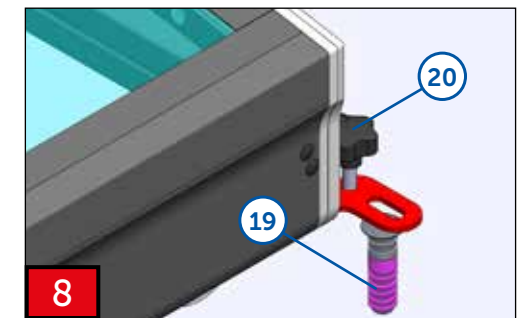
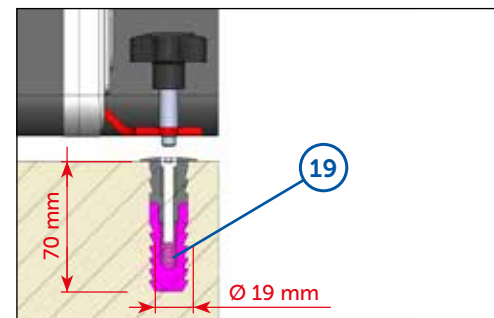
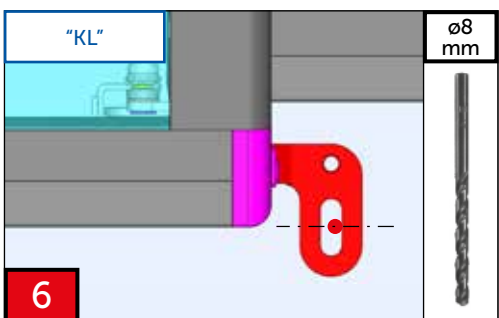
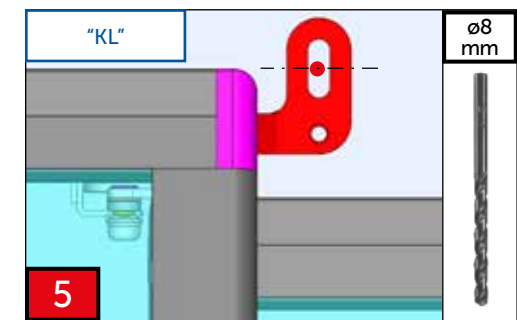
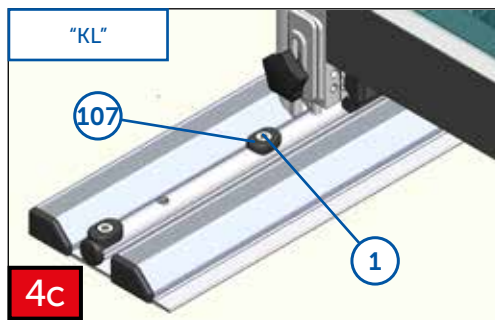
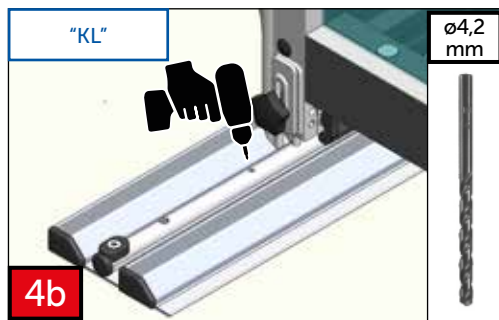
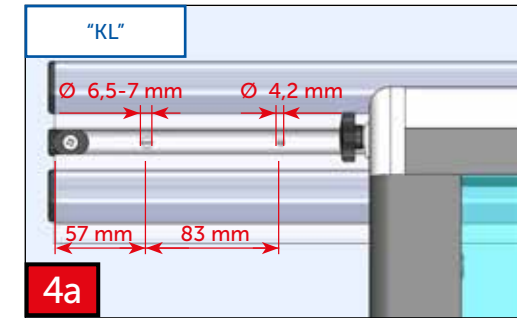
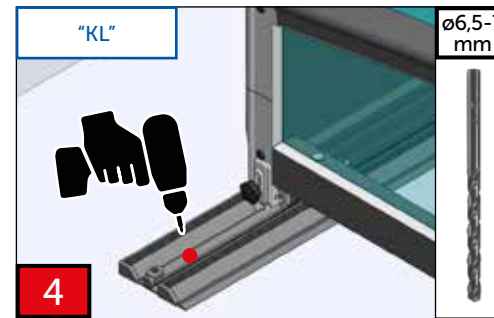
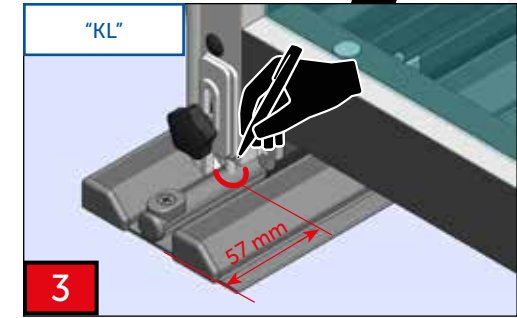
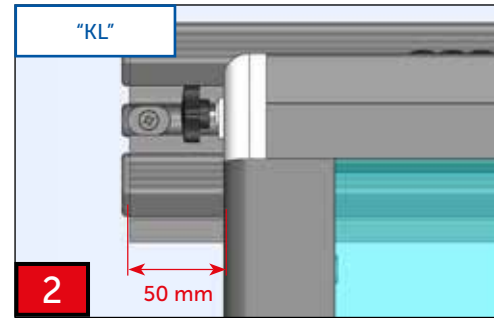
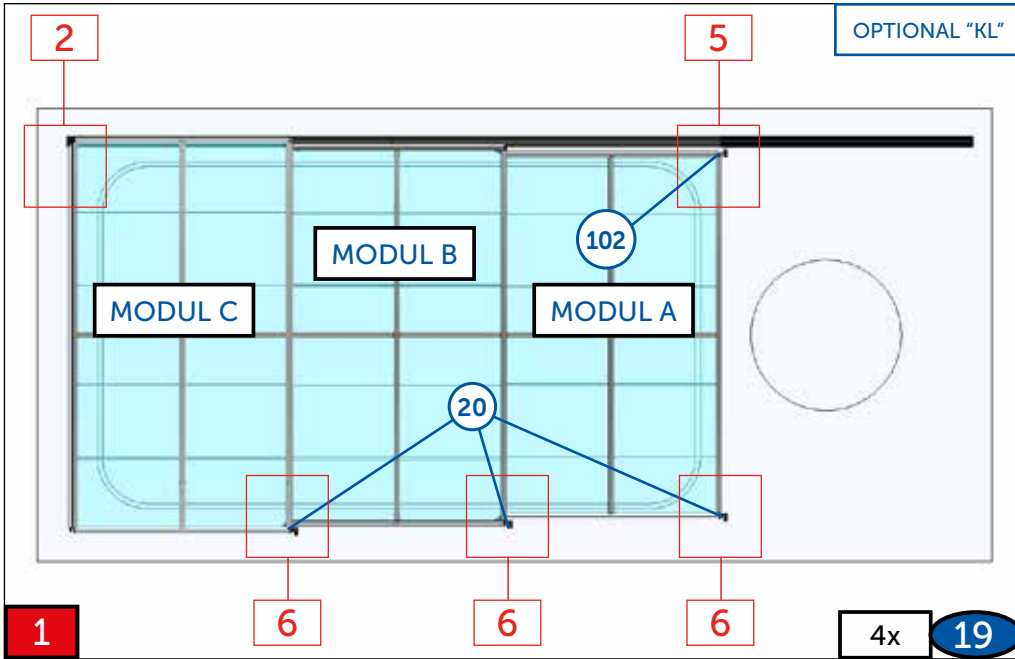


2 OPTIONAL "KL", "KP"

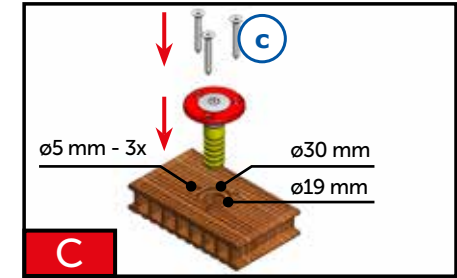
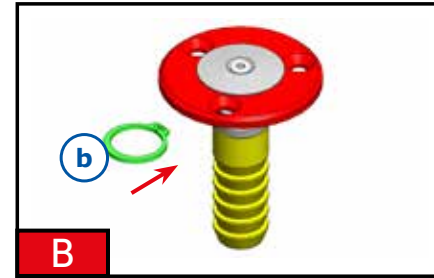
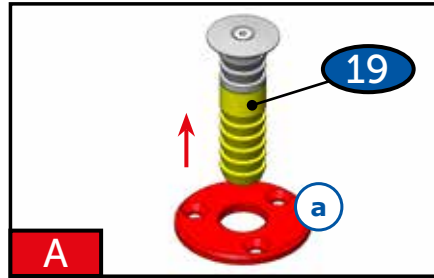


MODUL B
MODUL C





Pouze pro dřevěné a dřevoplastové podlahy
Only for wooden and wood-plastic floors
Nur für Holz- und Holz-Kunststoffböden
Uniquement pour les planchers en bois et en bois-plastique
Только для деревянных и древесно-пластиковых полов



1 OPTIONAL "KL"

MODUL C MODUL B MODUL A

Odjistit modul B,C
Unlock the module B,C
Modul B,C entsperren
Déverrouiller le module B,C
Разблокировать модуль B,C

2 OPTIONAL "KL"

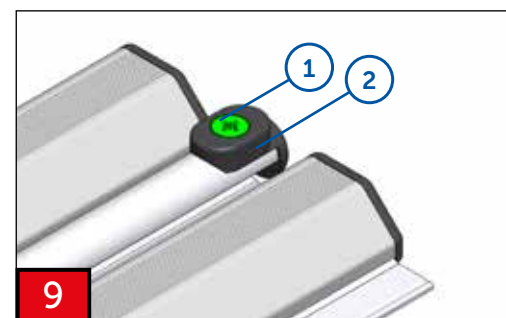
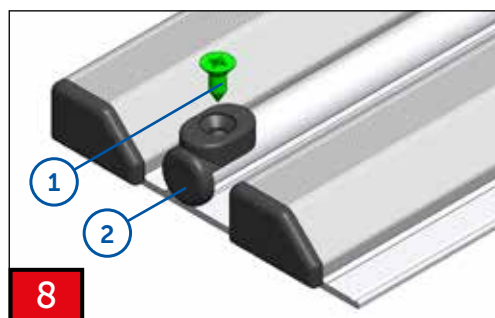
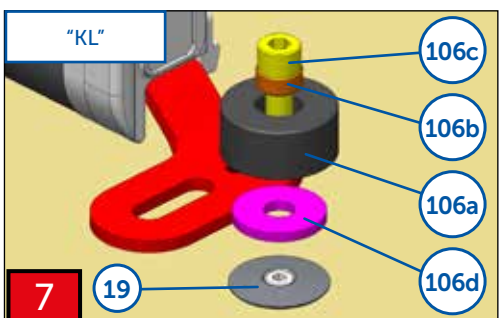
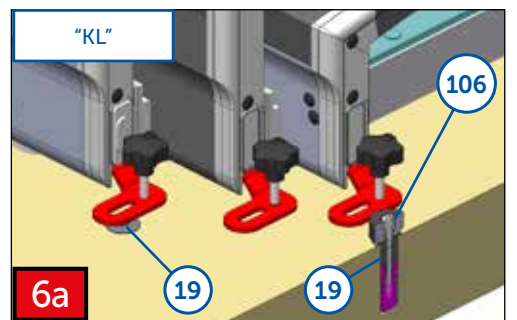
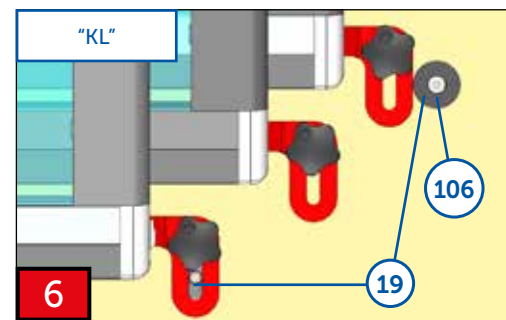
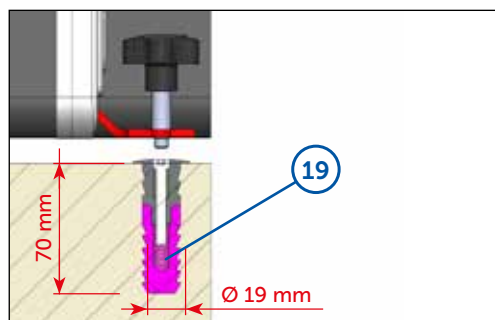
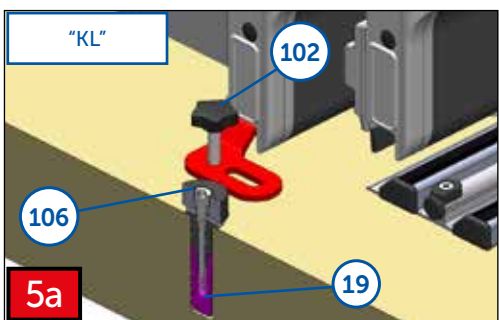
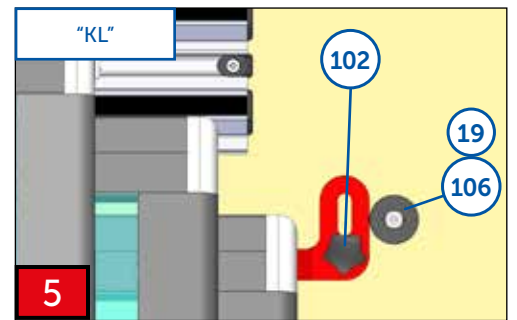
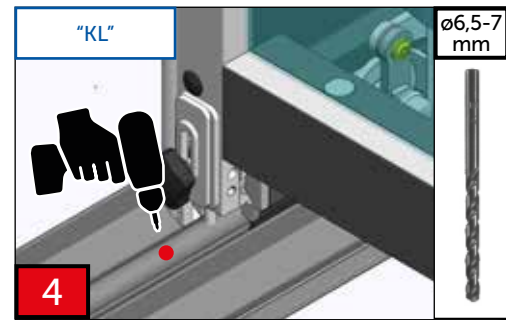
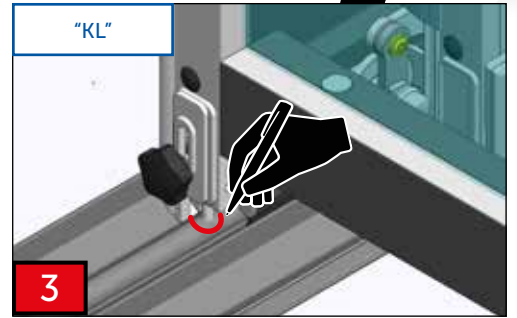
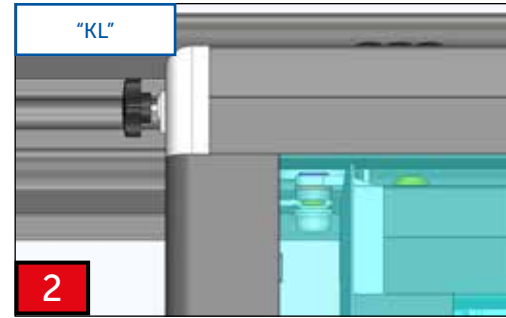
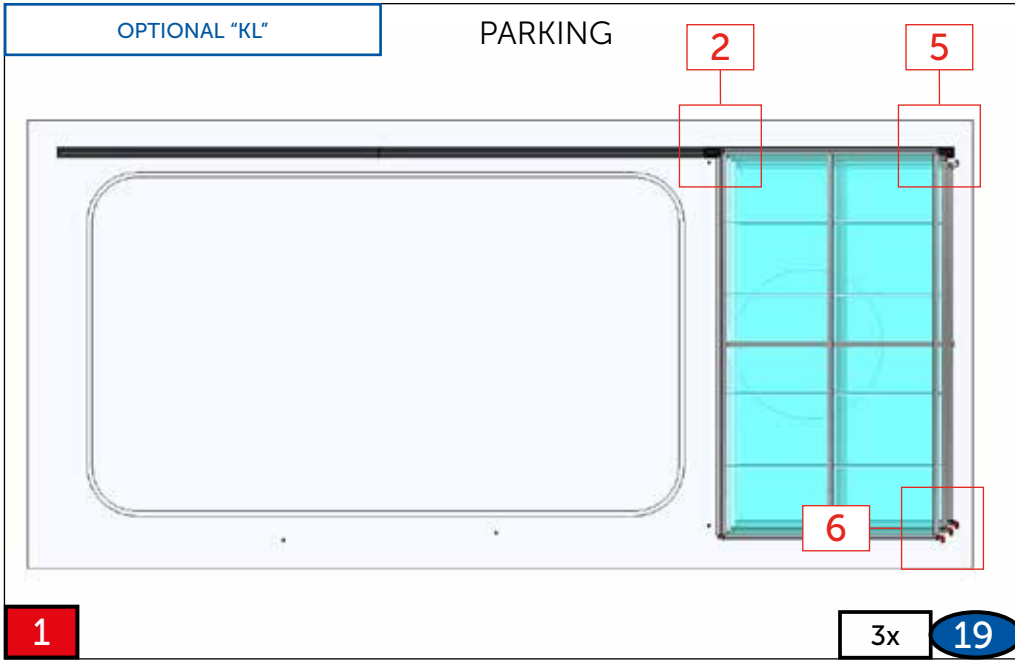
Zajištěný modul A
Locked module A
Modul A gesperrt
Module A verrouillé
Заблокированный модуль A

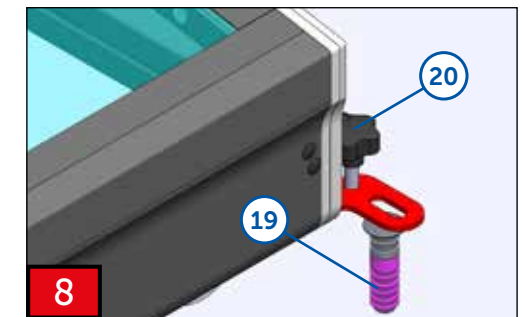
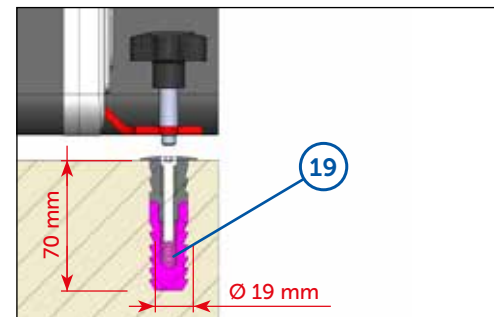
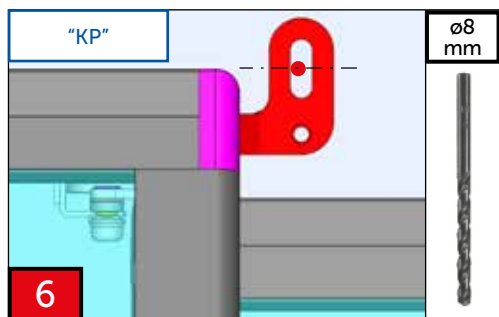
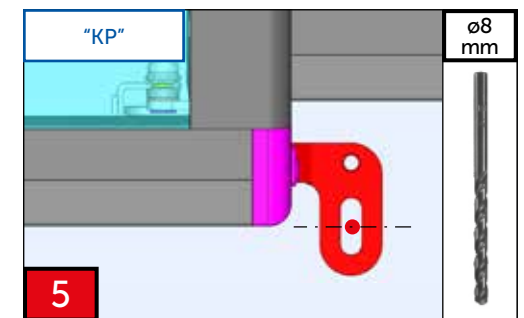
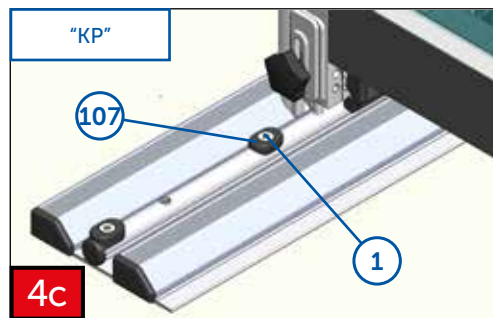
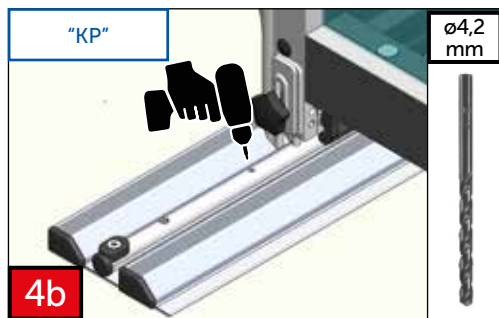
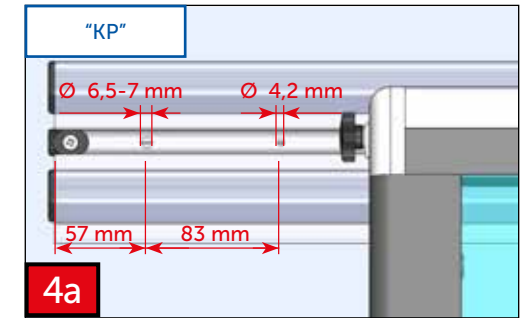
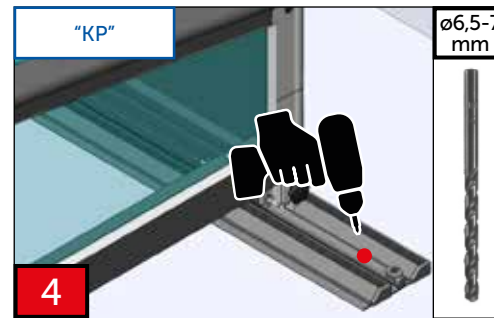
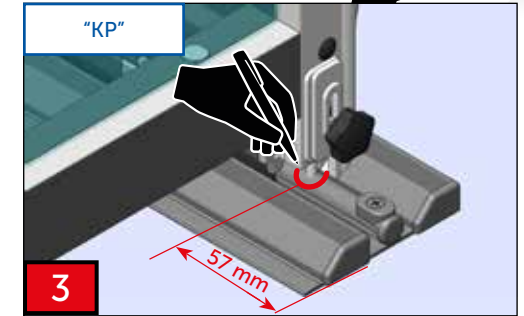
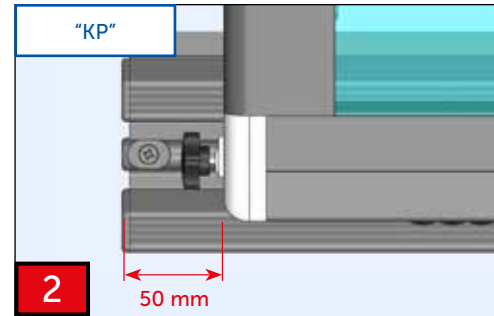
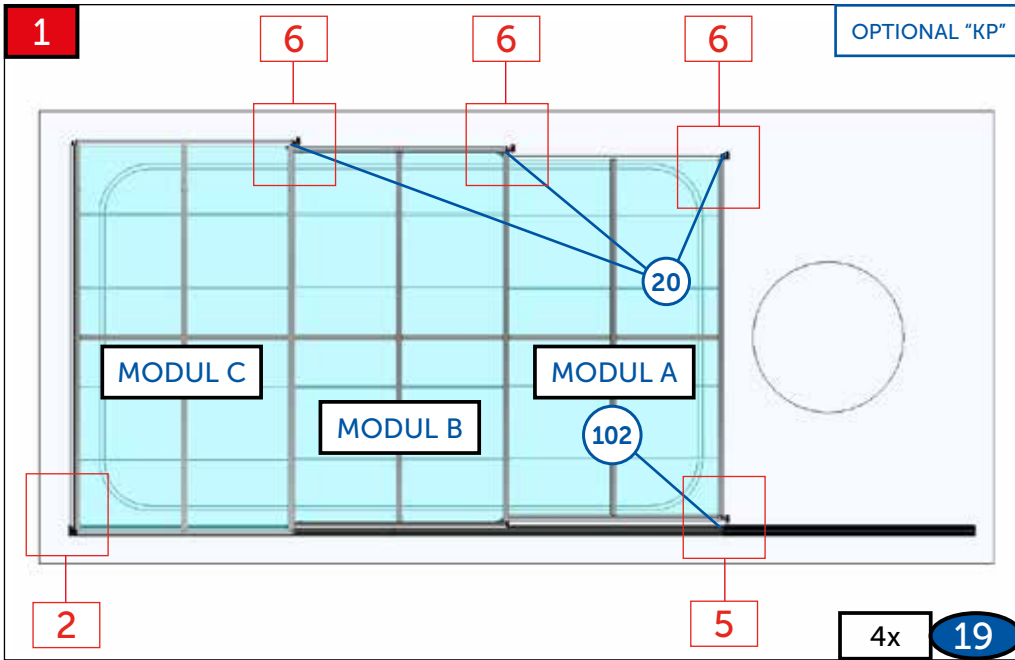
3 OPTIONAL "KL"

Odjistit modul A
Unlock the module A
Modul A entsperren
Déverrouiller le module A
Разблокировать модуль A

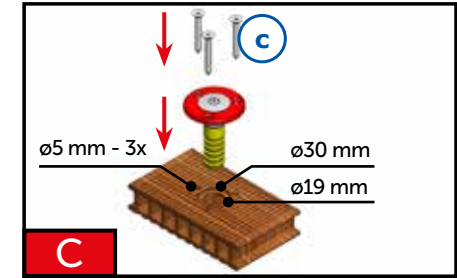
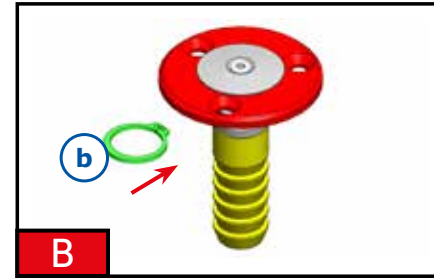
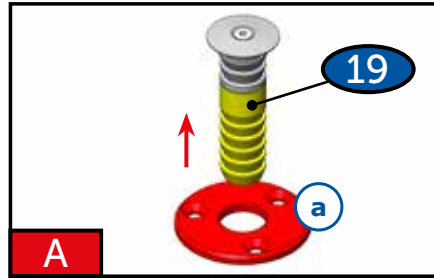
4 PARKING OPTIONAL "KL"

Zajistit modul B,C
Lock the module B,C
Modul A,B,C sperren
Module de verrouillage B,C
Блокировать модуль B,C





Pouze pro dřevěné a dřevoplastové podlahy
Only for wooden and wood-plastic floors
Nur für Holz- und Holz-Kunststoffböden
Uniquement pour les planchers en bois et en bois-plastique
Только для деревянных и древесно-пластиковых полов



1 OPTIONAL "KL"

MODUL C MODUL B MODUL A

Odjistit modul B,C
 Unlock the module B,C
 Modul B,C entsperren
 Déverrouiller le module B,C
 Разблокировать модуль B,C

2 OPTIONAL "KL"

Zajištěný modul A
 Locked module A
 Modul A gesperrt
 Module A verrouillé
 Заблокированный модуль A

→

3 OPTIONAL "KL"

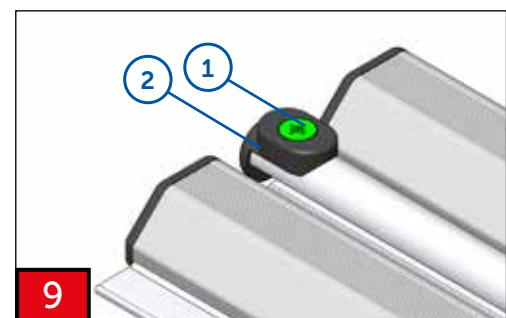
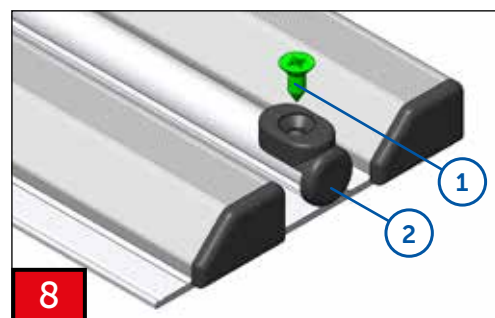
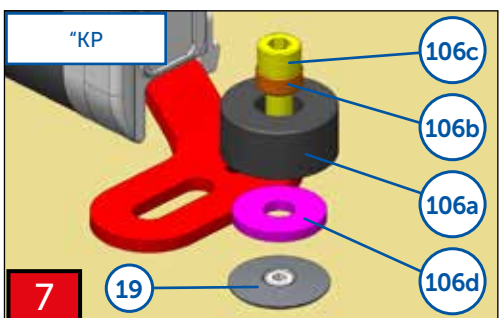
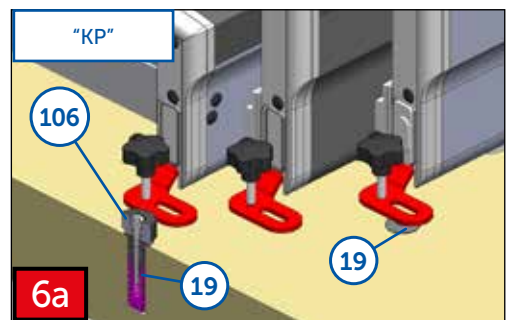
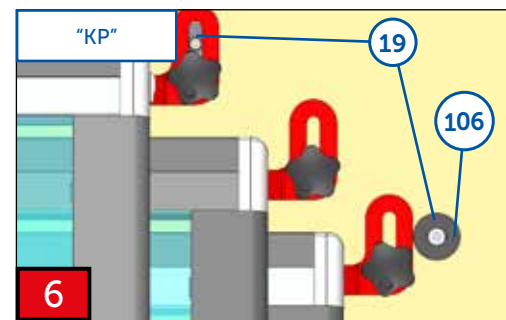
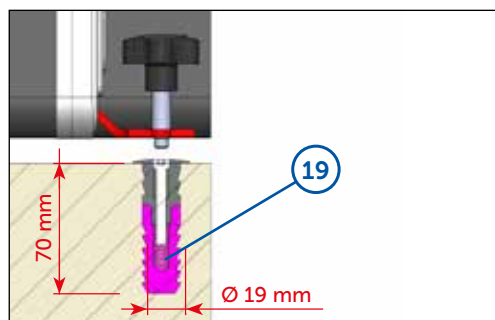
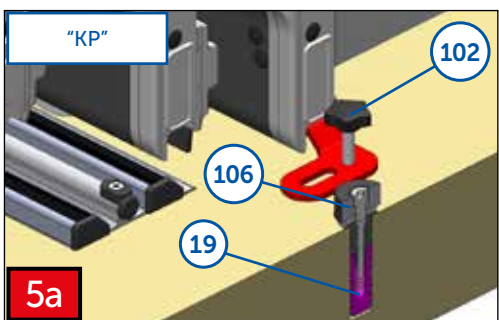
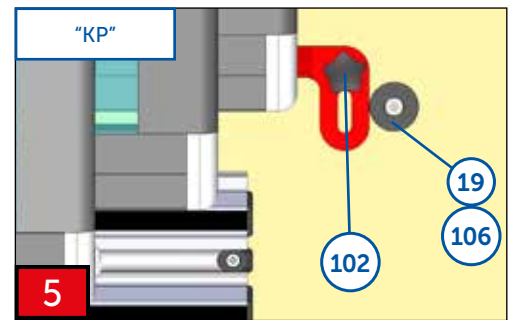
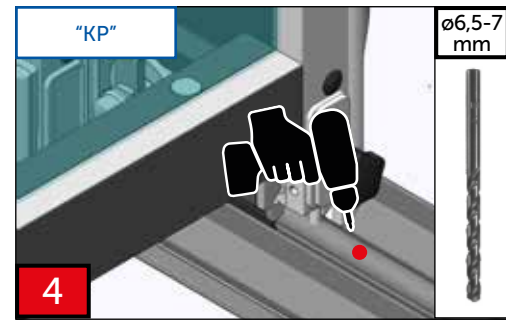
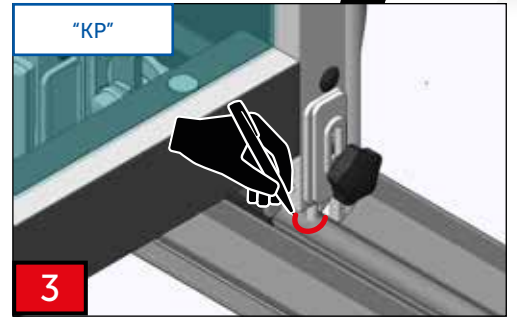
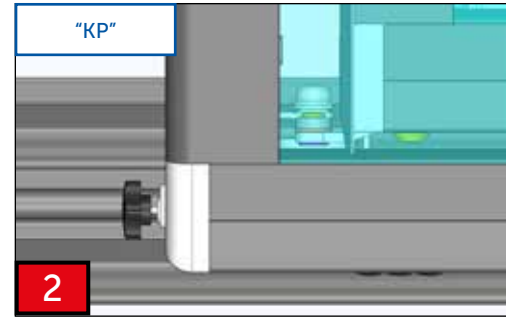
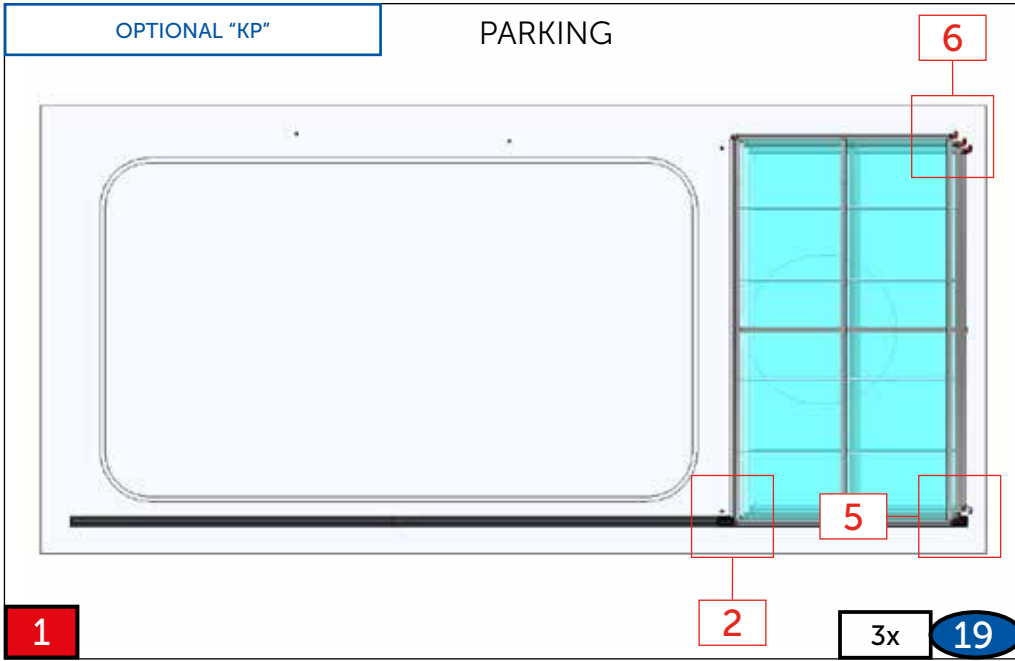
Odjistit modul A
 Unlock the module A
 Modul A entsperren
 Déverrouiller le module A
 Разблокировать модуль A

→

4 OPTIONAL "KL"

PARKING

Zajistit modul B,C
 Lock the module B,C
 Modul A,B,C sperren
 Module de verrouillage B,C
 Блокировать модуль B,C





CZ

Dodavatel si vyhrazuje právo na změny a úpravy technických parametrů uváděných v tomto katalogu s ohledem na technický vývoj a zdokonalení výrobků a balení.
Dodavatel si vyhrazuje právo na tiskové chyby a chyby v sazbě. Před montáží si pozorně přečtěte návod. Návod si uchovejte pro pozdější použití.

DE

Der Lieferant behält sich das Recht auf Änderungen und Anpassungen der technischen Parameter, die in diesem Katalog aufgeführt sind, mit Rücksicht auf die technische Entwicklung und Verbesserung der Produkte und Verpackung vor. Der Lieferant behält sich das Recht auf Druckfehler und Fehler im Satz vor.
Vor der Montage lesen Sie bitte die Anleitung sorgfältig durch. Bewahren Sie die Anleitung für spätere Verwendung auf.

EN

The supplier reserves the right for modifications and adaptations of the technical parameters stated in this catalogue, considering the technical development and upgrade of the products and packaging.
The supplier reserves the right for print errors and typographical errors. Please read the manual carefully before you will start the installation. Keep the manual for later use.

ES

El proveedor se reserva el derecho de hacer cambios y modificaciones técnicas de los parámetros que figuran en este catálogo, con respecto al desarrollo técnico mejorando los productos y embalajes.
El proveedor se reserva también el derecho a errores de impresión y composición. Antes de empezar la instalación, lea atentamente las instrucciones. Guarde las instrucciones para su uso posterior.

FR

Le fabricant se réserve le droit de modifier les paramètres techniques cités dans ce manuel en considération du développement technique et de l'amélioration des produits et de leur emballage. Le fabricant se réserve le droit des fautes d'impression et de composition. À lire attentivement et à conserver pour une consultation ultérieure.

HU

Gyártó fenntartja jogát a katalógusban feltüntetett műszaki paraméterek változtatására a termékek és csomagolás technikai fejlesztése és tökéletesítése szerint.
Szállító: a szállító fenntartja jogát a nyomtatási és szedési hibákra.

IT

Il fornitore si riserva il diritto di effettuare modifiche e correzioni ai parametri tecnici riportati nel presente catalogo per migliorare e perfezionare dal punto di vista tecnico i prodotti e gli imballaggi.
Il fornitore non esclude inoltre l'eventuale presenza di errori di stampa e di impaginazione. Prima dell'installazione, leggere attentamente le istruzioni. Tenere l'istruzione per un uso successivo.

PL

Dostawca zastrzega sobie prawo do zmian oraz dostosowania parametrów technicznych podanych w niniejszym katalogu z uwzględnieniem rozwoju technicznego i udoskonalania produktów oraz opakowań. Dostawca zastrzega sobie prawo do błędów druku oraz typograficznych.

PT

O provedor reserva-se o direito a efectuar alterações e adaptações de parâmetros técnicos mencionados neste catálogo, tendo em consideração o avanço técnico e melhorias de produtos e embalagens. O provedor reserva-se o direito a cometer erros de impressora e de edição.

RO

Furnizorul își rezervă dreptul de a modifica și schimba parametrii tehnici menționați în acest catalog cu privire la evoluția tehnică și perfecționarea produselor și a ambalării. Furnizorul își rezervă dreptul la greșelile de tipar și greșelile privind tarifele.

RU

Поставщик оставляет за собой право на изменение и исправление технических параметров продукции указанной в этом каталоге, с учетом технического развития, а усовершенствования изделий и его упаковки. Поставщик оставляет за собой право на опечатку в тексте и в ценах.
Перед установкой и эксплуатацией изделия внимательно ознакомьтесь с настоящим руководством. Сохраните данное руководство для дальнейшего использования.